



State of Utah

SPENCER J. COX
Governor

DEIDRE HENDERSON
Lieutenant Governor

Department of
Environmental Quality

Kimberly D. Shelley
Executive Director

DIVISION OF WATER QUALITY
John K. Mackey, P.E.
Director

July 1st, 2024

VIA EMAIL
READ RECEIPT

ATTN: Christopher Butler
VPC Global
28305 Livingston Avenue
Valencia, California 91355

Subject: Valencia Pipe Company 1,000 and 1,500 Gallon Septic Tank Approval

Dear Mr. Butler,

The Division of Water Quality (Division) has completed its review of plans¹ for the Valencia Pipe Company 1,000 and 1,500 gallon single and dual-compartment high-density polyethylene (HDPE) septic tanks received on May 23, 2024. These plans and specifications basically comply with septic tank construction requirements listed in Utah Administrative Code R317-4-14, Appendix A and are hereby approved. The Division has retained construction plans and specifications in our files for future reference. A *List of Approved Septic Tanks and Manufacturers* is distributed to local health departments periodically and is available to the public online at <https://documents.deq.utah.gov/water-quality/engineering/DWQ-2017-003211.pdf>.

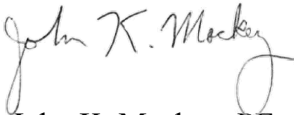
Any modifications to approved plans, specifications, or construction methods must be reviewed and receive proper approval by the Division for conformance to applicable rules and incorporation on the *List of Approved Septic Tanks and Manufacturers*.

Please contact Robert Beers of my staff at (385) 501-9580 or rbeers@utah.gov if you have any questions or concerns regarding this matter.

¹ DWQ-2024-004513. A related document, including an installation manual with specifications is (DWQ-2024-004514).

Page 2

Sincerely,

A handwritten signature in black ink that reads "John K. Mackey". The signature is written in a cursive style with a large, looping "M" at the end.

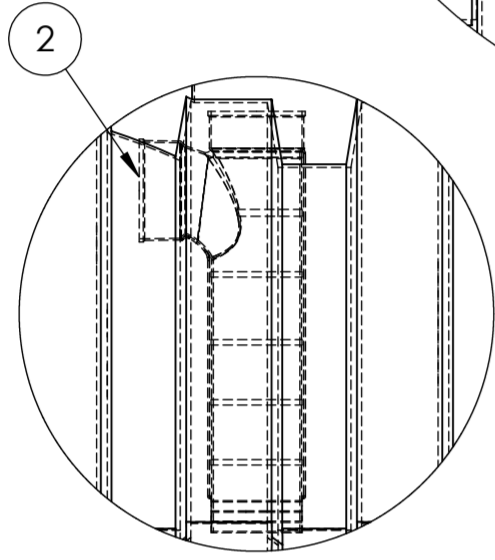
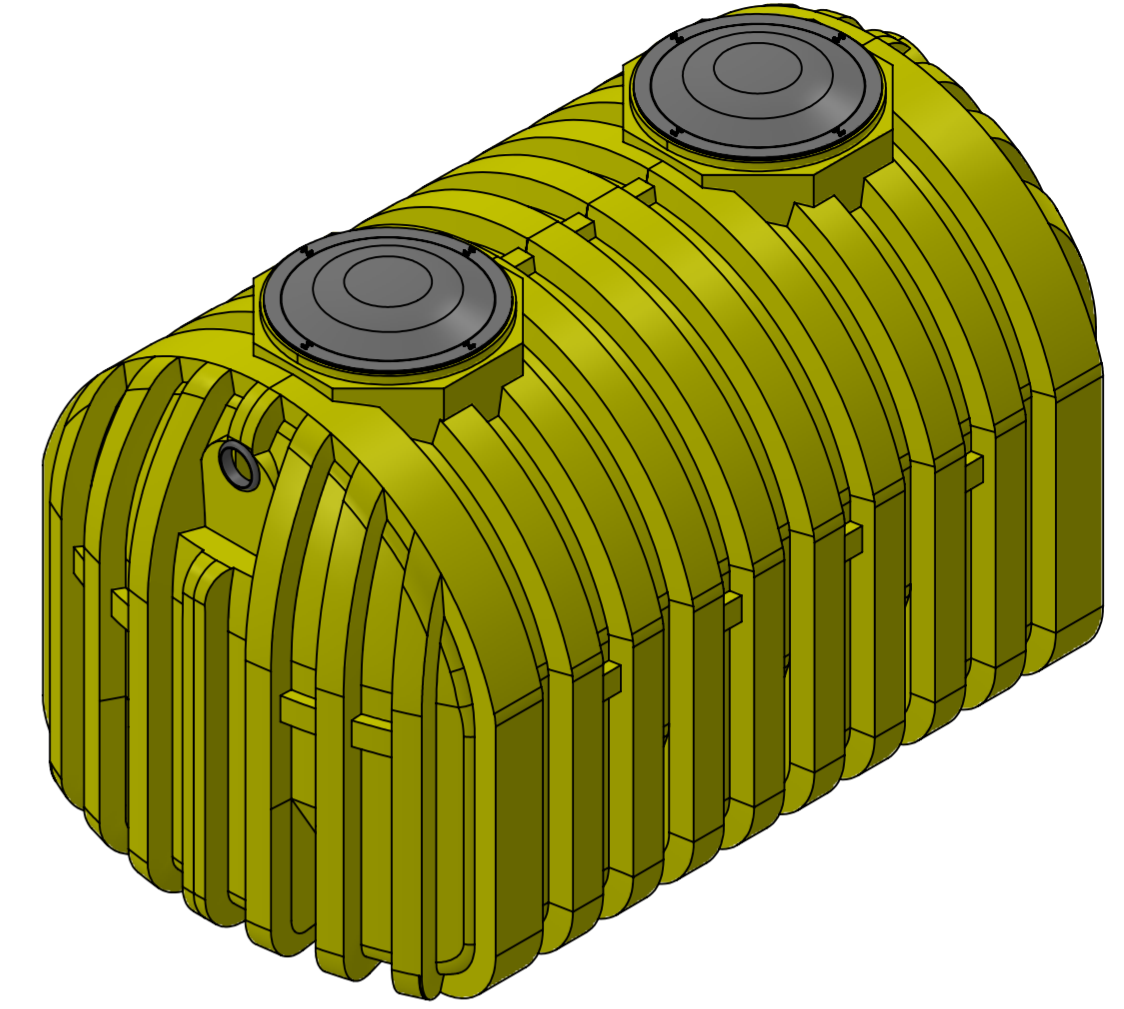
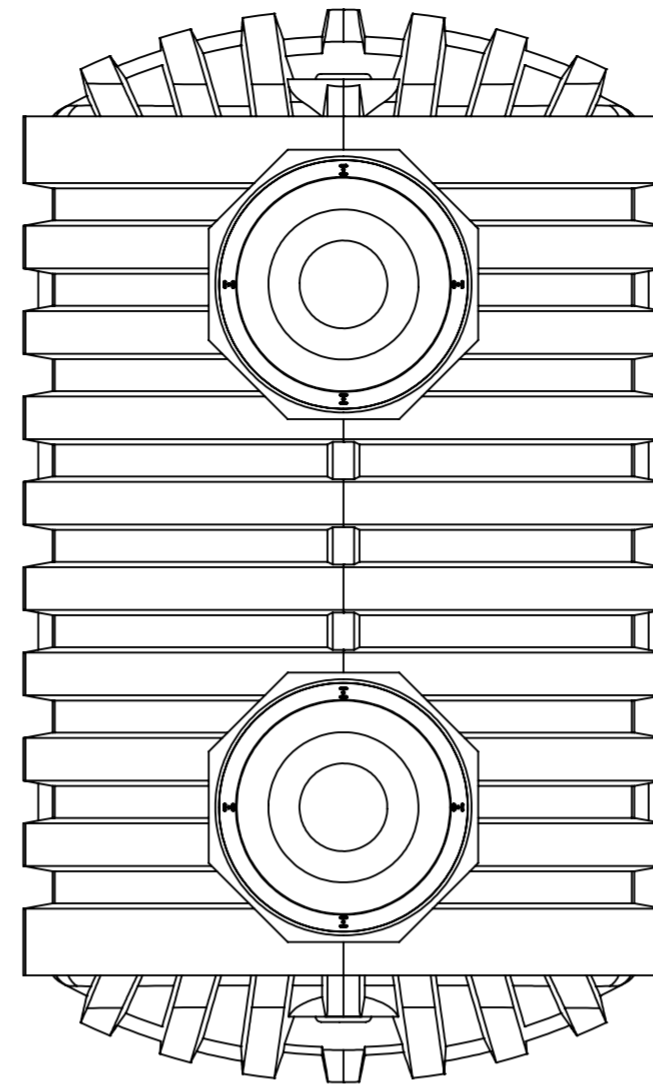
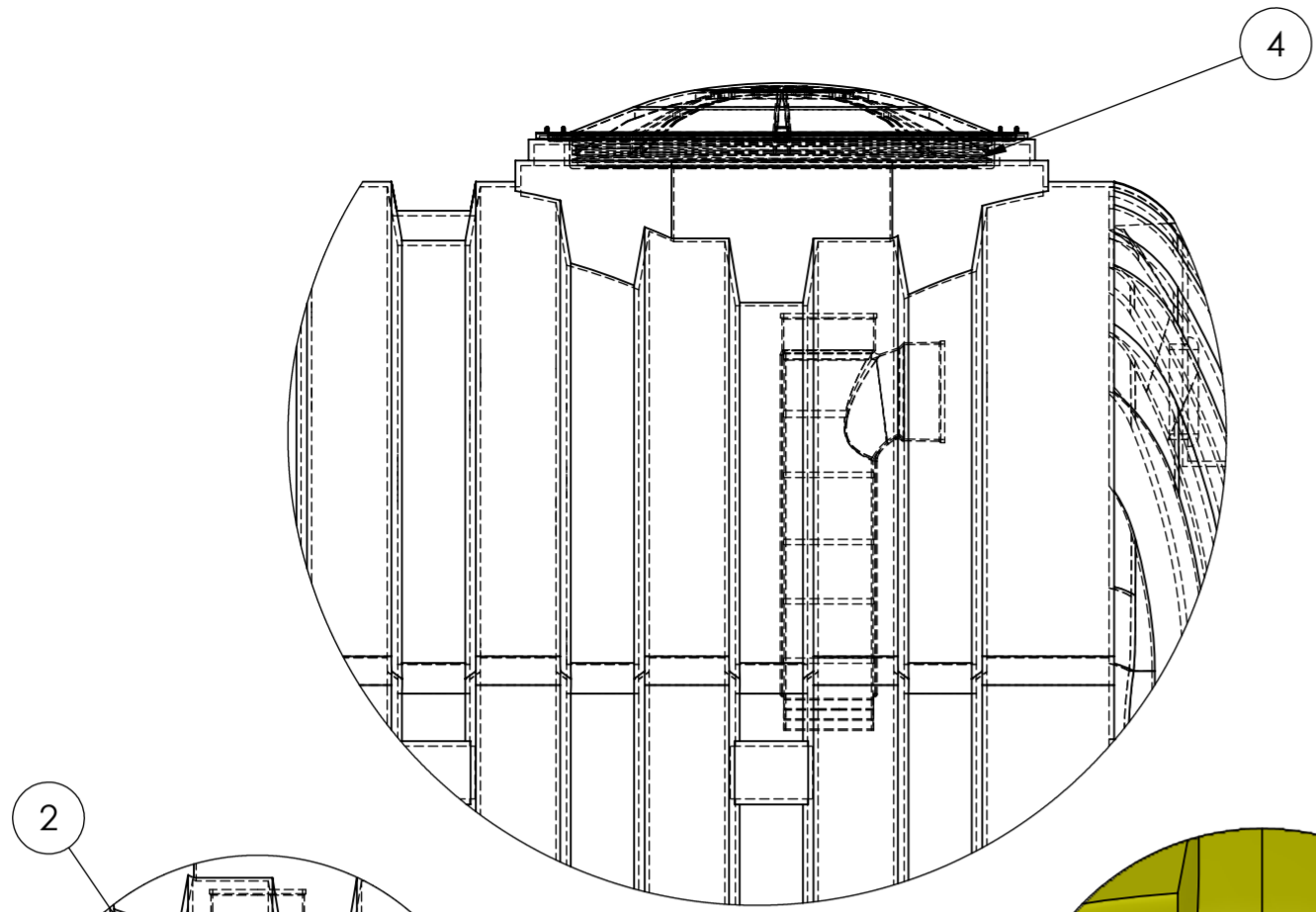
John K. Mackey, PE
Director

JKM:RB:cl

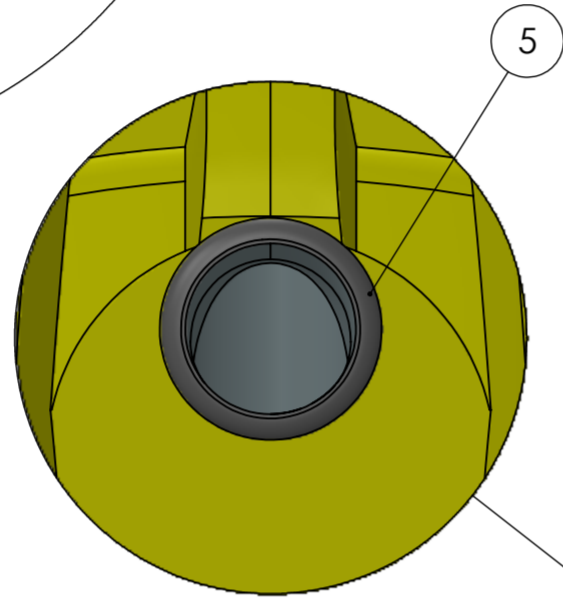
Enclosure: Valencia Pipe Co 1000 & 1500 gal (1 & 2 comp) Septic Tank Approval Letter
Valencia Pipe Co 1000 & 1500 gal HDPE Septic Tank Plans 23May2024

Cc: Via Email
Robert Beers, Division of Water Quality
Ken Hoffman, Division of Water Quality

File: P:\WQ\DWQDatabases\SepticTanks\Septic Tank Documents\Valencia Pipe Company
DWQ-2024-004515



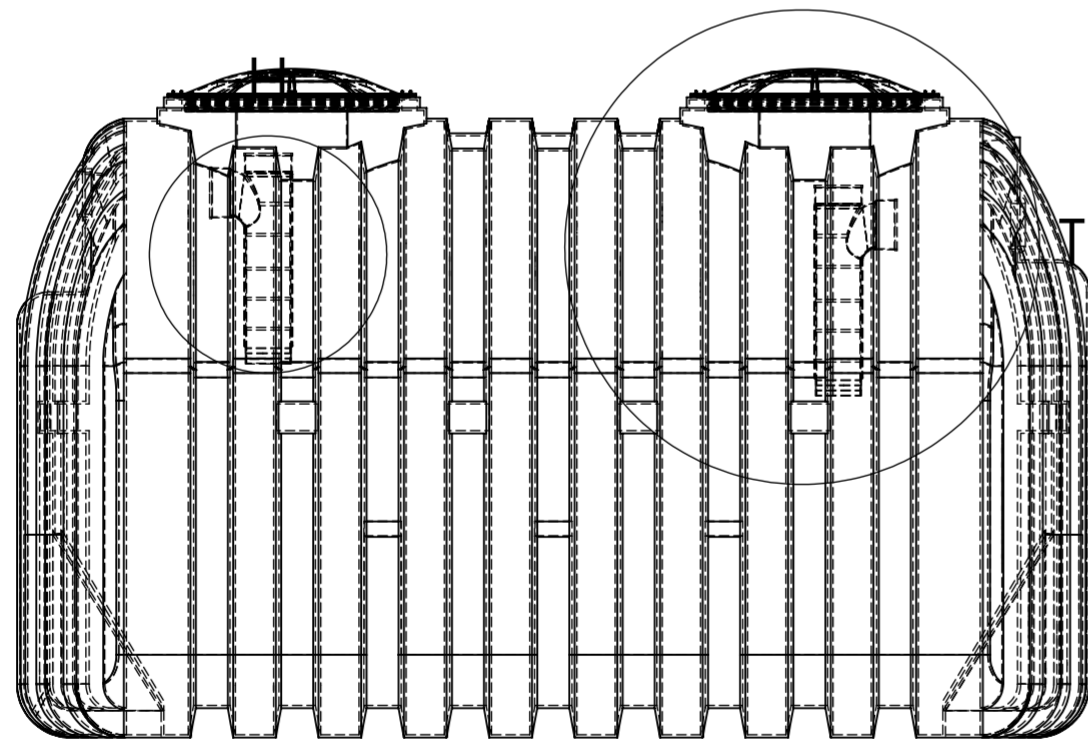
DETAIL T
SCALE 1:9



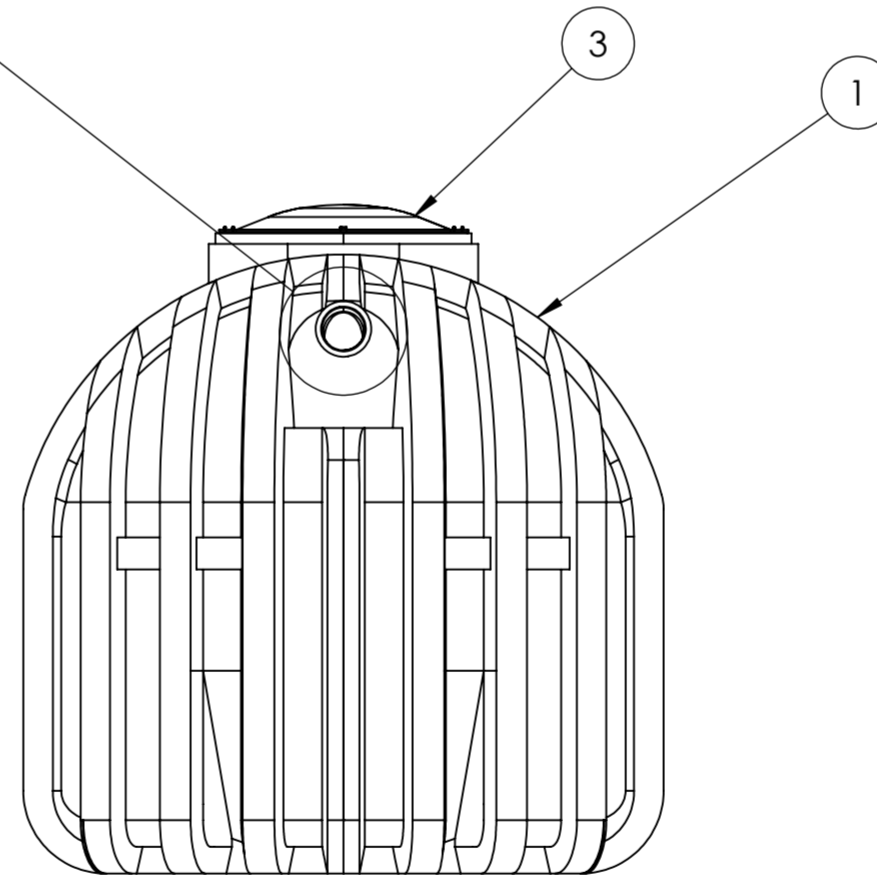
DETAIL R
SCALE 1:4.5

TOP VIEW

DETAIL H
SCALE 1:9



SIDE VIEW



FRONT VIEW

ITEM #	MFGR PART #	DESCRIPTION	QTY
1	87-41718	1000g 1C HDPE Septic Tank	1
2	SPL-BR-004	4 Inch Inlet/Outlet Tee	2
3	85-SPL-001-L	20" Black Domed Lid; SS Screws	2
4	WTL-001-FM	Tank Adapter Ring	2
5	85-SPL-ER-G	4 Inch Gasket	2

Complies with FDA standards 21 CFR 177.1520 (1) 3.1 and 3.2
3 year limited warranty

Municipal and County codes may vary from your state approval.
Please make sure you consult with your local sanitation department
or plumber on requirements.

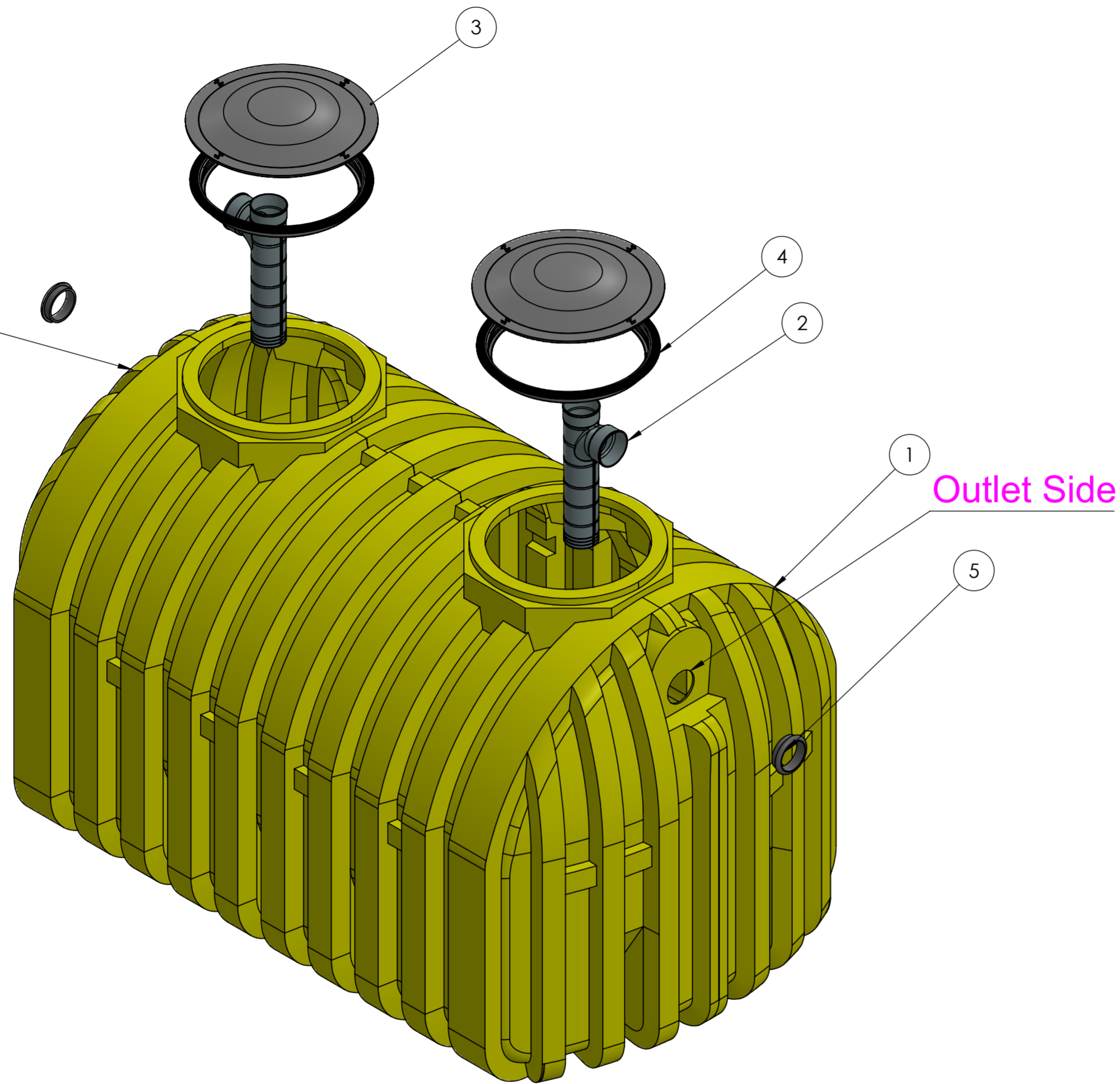
UV resistant BPA Free HDPE
Empty weight: 311
Shipping Class: 300
Includes 2 4" tees and gaskets



UNLESS OTHERWISE SPECIFIED: DIMENSIONS ARE IN MILLIMETERS		FINISH:		DEBURR AND BREAK SHARP EDGES		DO NOT SCALE DRAWING		REVISION	
SURFACE FINISH:									
TOLERANCES:									
LINEAR:									
ANGULAR:									
DRAWN	NAME	SIGNATURE	DATE			TITLE:		87-41718 1000 GALLON ONE COMPARTMENT HDPE SEPTIC TANK	
CHKD						DWG NO.		A2	
APPVD						SCALE:1:18		SHEET 1 OF 7	
MFG									
Q.A.									
				WEIGHT:					



Inlet Side



Outlet Side

Exploded View

ITEM #	MFGR PART #	DESCRIPTION	QTY
1	87-41718	1000g 1C HDPE Septic Tank	1
2	SPL-BR-004	4 Inch Inlet/Outlet Tee	2
3	85-SPL-001-L	20" Black Domed Lid; SS Screws	2
4	WTL-001-FM	Tank Adapter Ring	2
5	85-SPL-ER-G	4 Inch Gasket	2

Complies with FDA standards 21 CFR 177.1520 (1) 3.1 and 3.2
3 year limited warranty

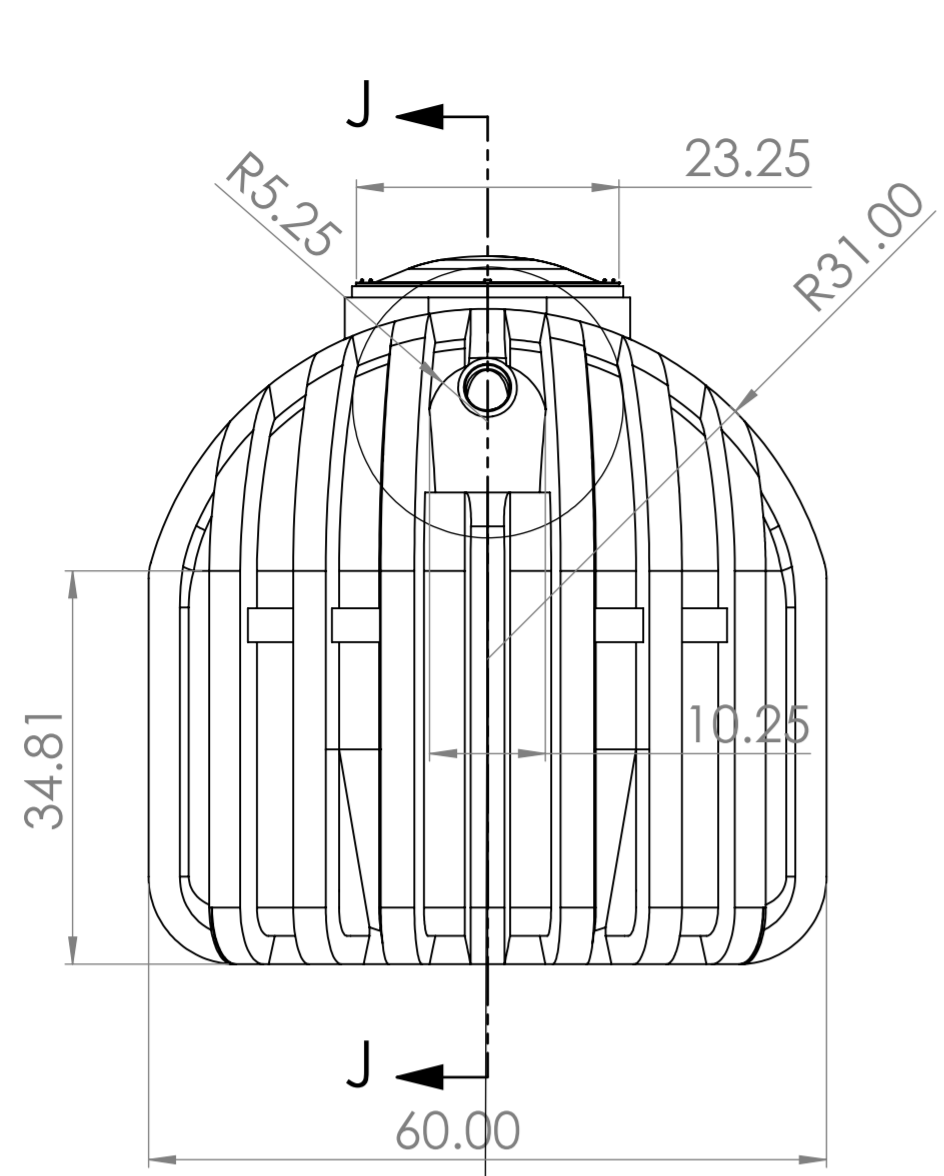
Municipal and County codes may vary from your state approval.
Please make sure you consult with your local sanitation department
or plumber on requirements.

UV resistant BPA Free HDPE
Empty weight: 311
Shipping Class: 300
Includes 2 4" tees and gaskets

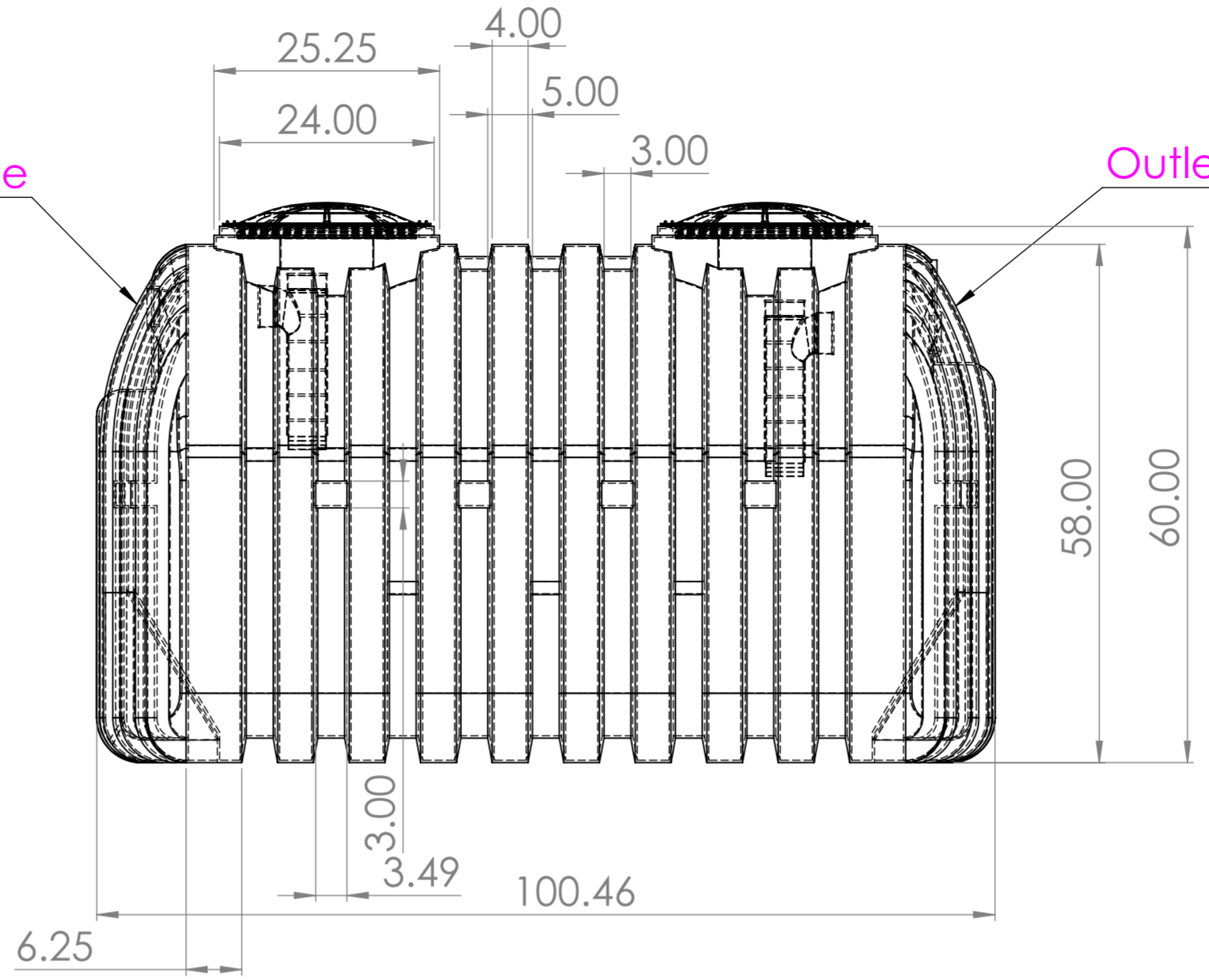


UNLESS OTHERWISE SPECIFIED: DIMENSIONS ARE IN MILLIMETERS		FINISH:		DEBURR AND BREAK SHARP EDGES		DO NOT SCALE DRAWING		REVISION	
SURFACE FINISH:		TOLERANCES:		LINEAR:		ANGULAR:		TITLE: 87-41718 1000 GALLON ONE COMPARTMENT HDPE SEPTIC TANK	
DRAWN	NAME	SIGNATURE	DATE	MATERIAL		DWG NO.		A2	
CHKD				WEIGHT:		SCALE:1:13		SHEET 2 OF 7	
APPVD									
MFG									
Q.A.									

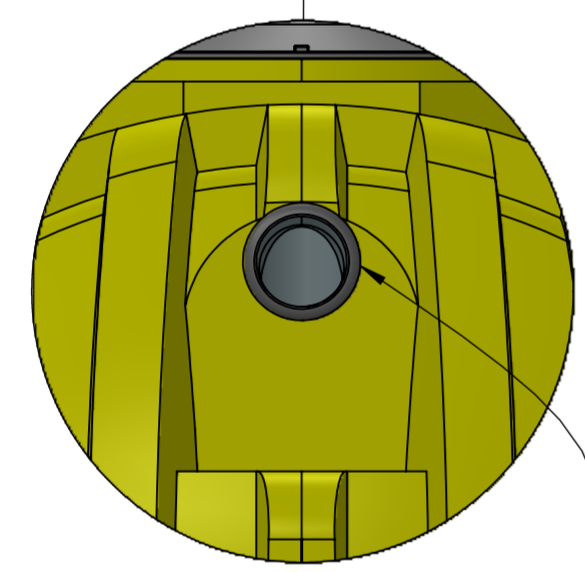
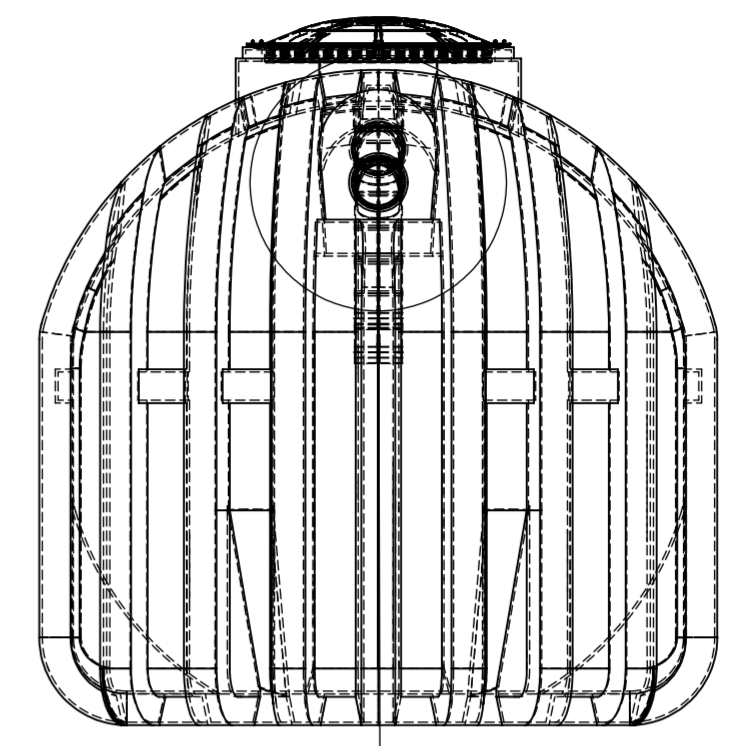




Inlet Side

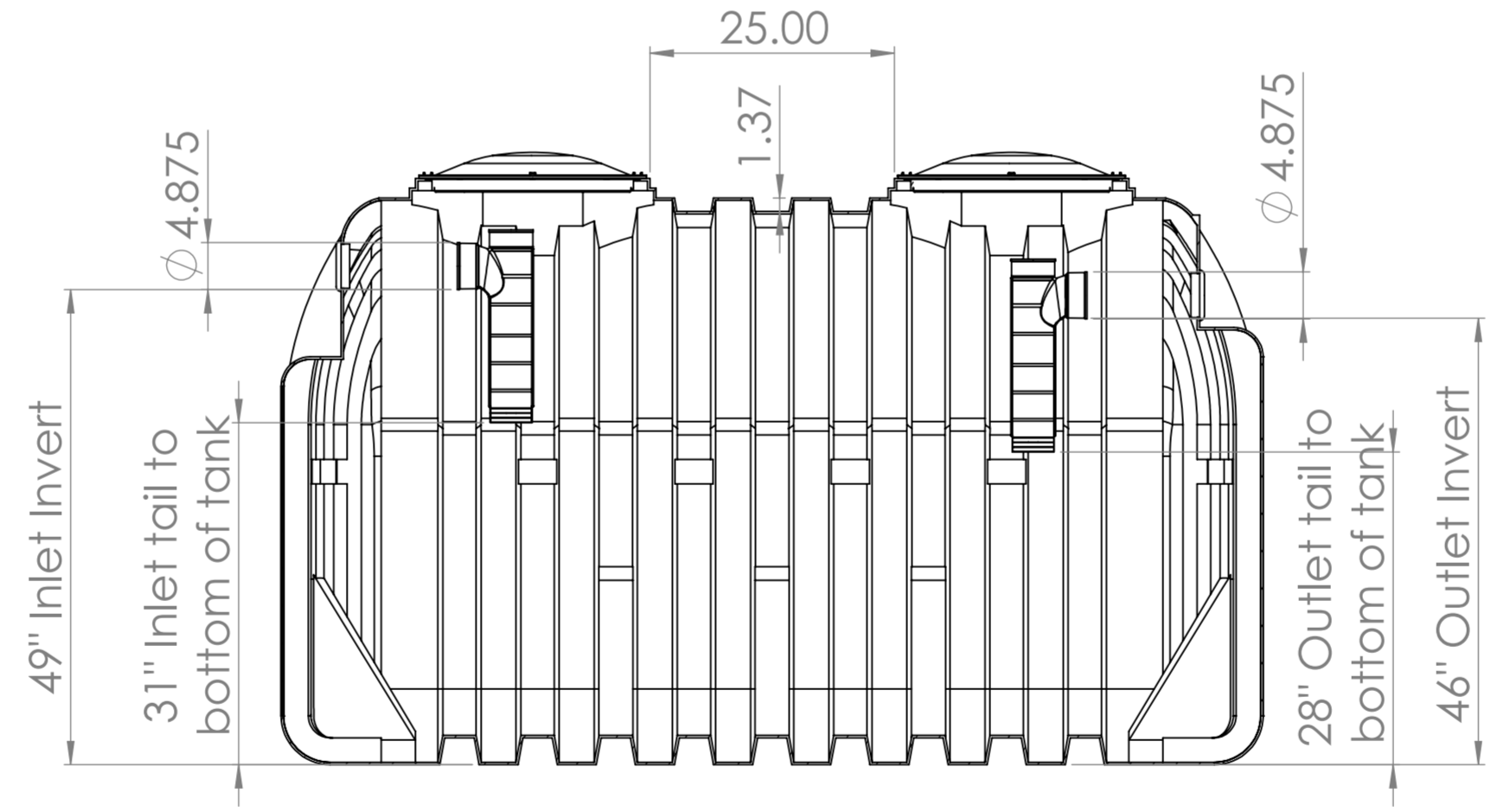


Outlet Side

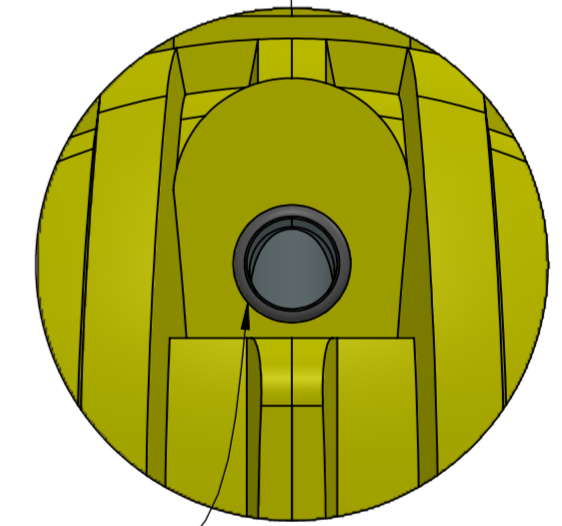


DETAIL W
SCALE 2 : 17

4" Gasket
(Inlet Side)



SECTION J-J
SCALE 1 : 17



DETAIL AA
SCALE 2 : 17

4" Gasket
(Outlet Side)

Complies with FDA standards 21 CFR 177.1520 (1) 3.1 and 3.2
3 year limited warranty

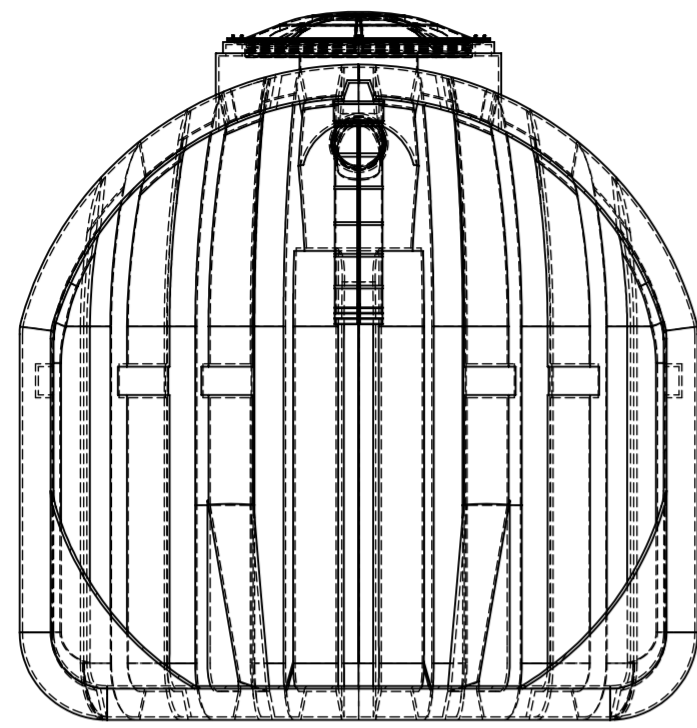
Municipal and County codes may vary from your state approval.
Please make sure you consult with your local sanitation department
or plumber on requirements.

UV resistant BPA Free HDPE
Empty weight: 311
Shipping Class: 300
Includes 2 4" tees and gaskets

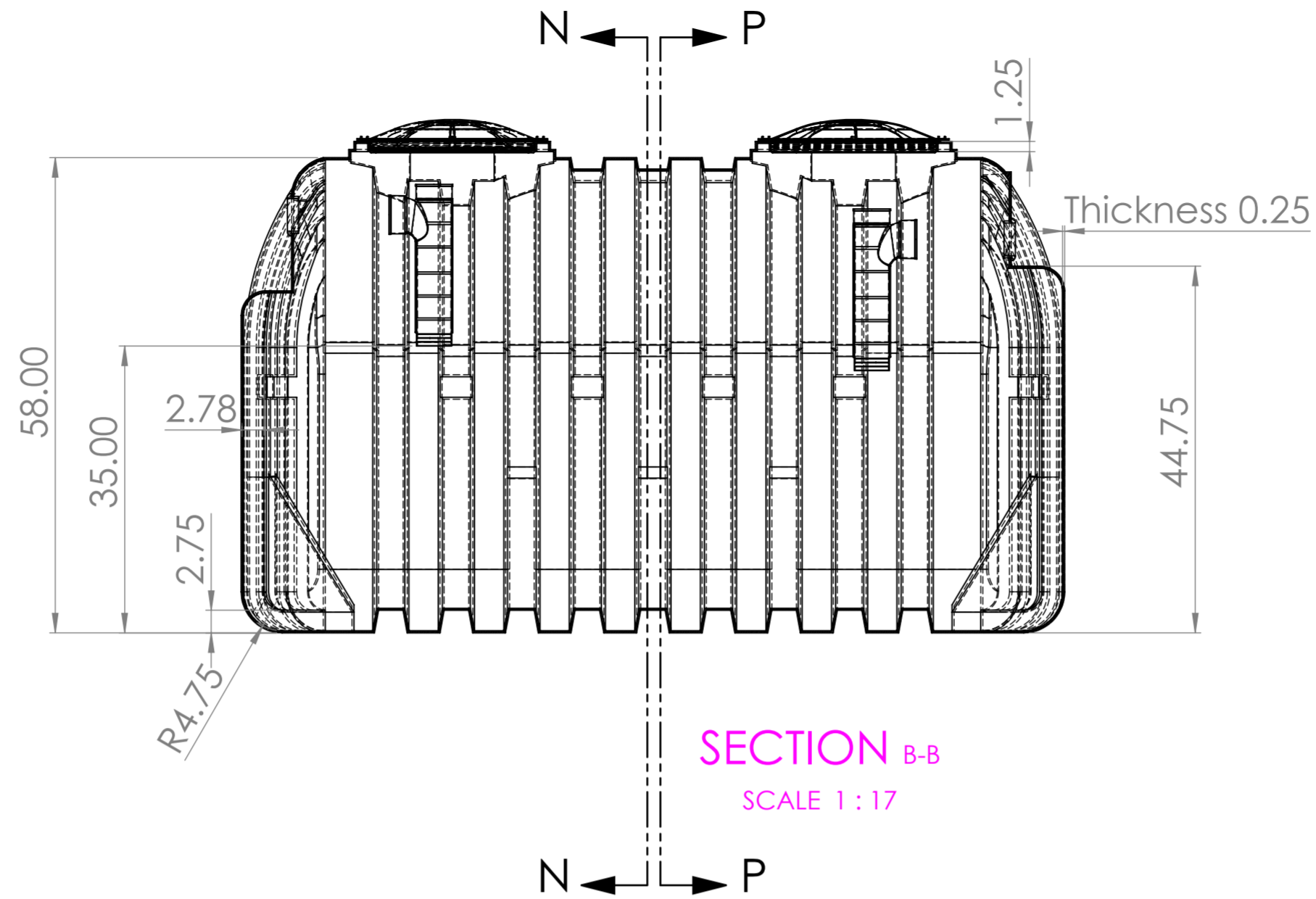


UNLESS OTHERWISE SPECIFIED: DIMENSIONS ARE IN MILLIMETERS			FINISH:			DEBURR AND BREAK SHARP EDGES			DO NOT SCALE DRAWING		REVISION		
TOLERANCES: LINEAR: ANGULAR:									TITLE: 87-41718 1000 GALLON ONE COMPARTMENT HDPE SEPTIC TANK				
DRAWN			NAME			SIGNATURE			DATE			DWG. NO.	
CHK'D												A2	
APP'VD												SCALE: 1:18	
MFG												SHEET 3 OF 7	
Q.A.													
WEIGHT:													

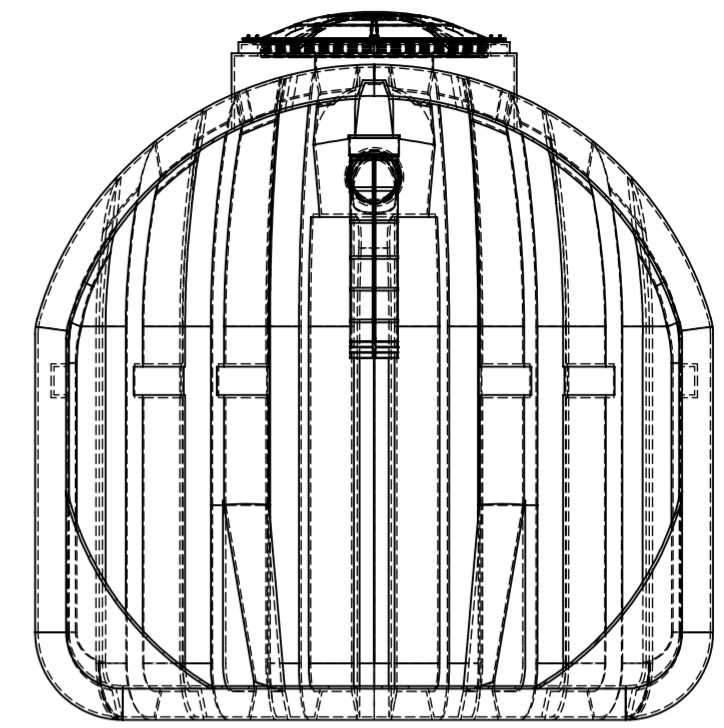




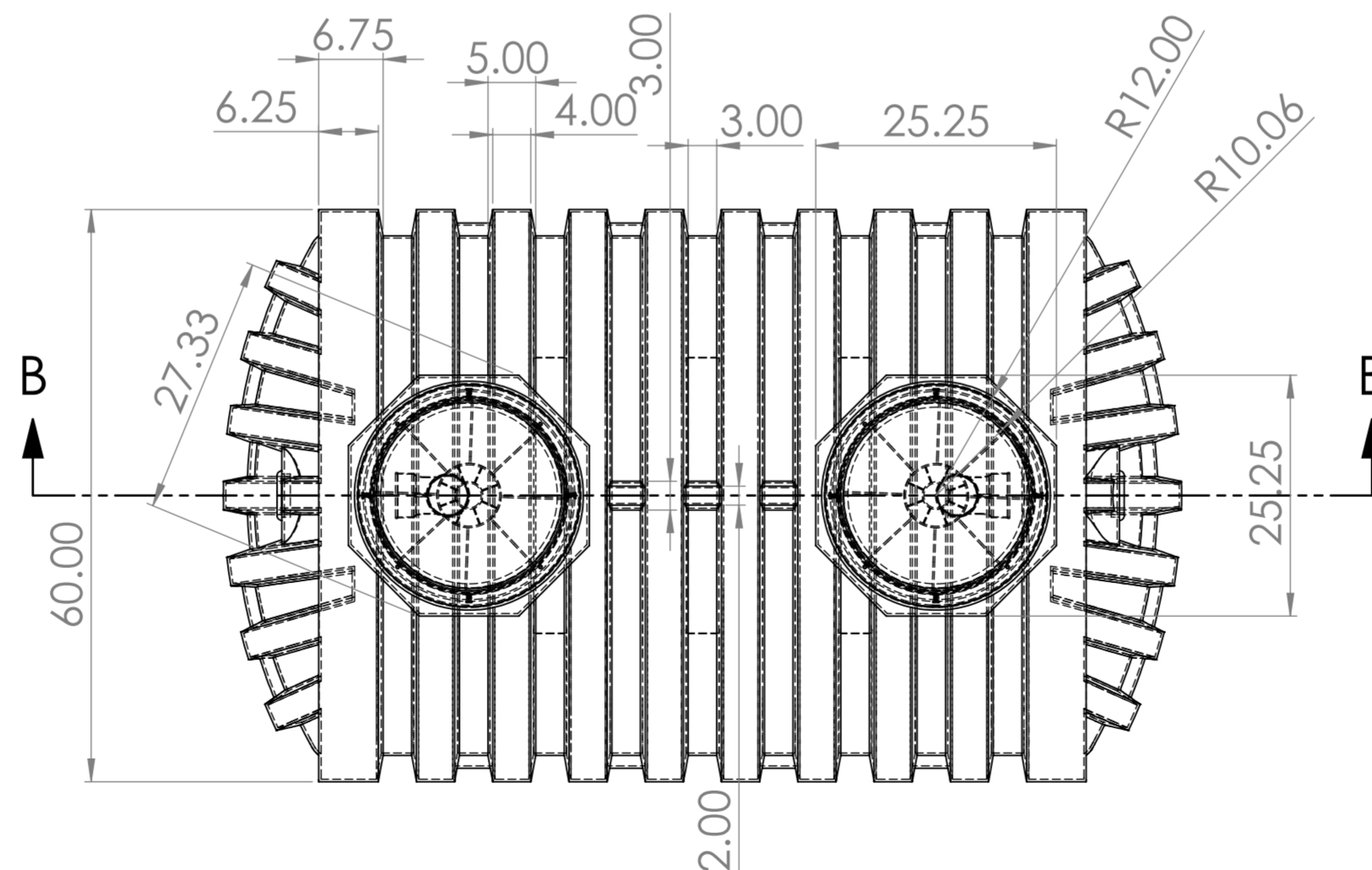
SECTION N-N
SCALE 1:17
Inlet side



SECTION B-B
SCALE 1:17



SECTION P-P
SCALE 1:17
Outlet side



Complies with FDA standards 21 CFR 177.1520 (1) 3.1 and 3.2
3 year limited warranty

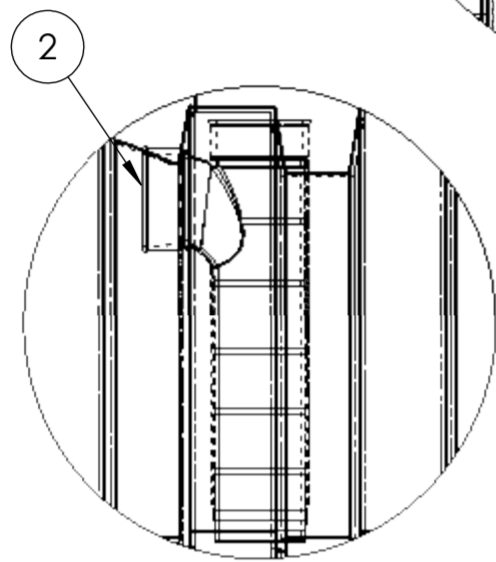
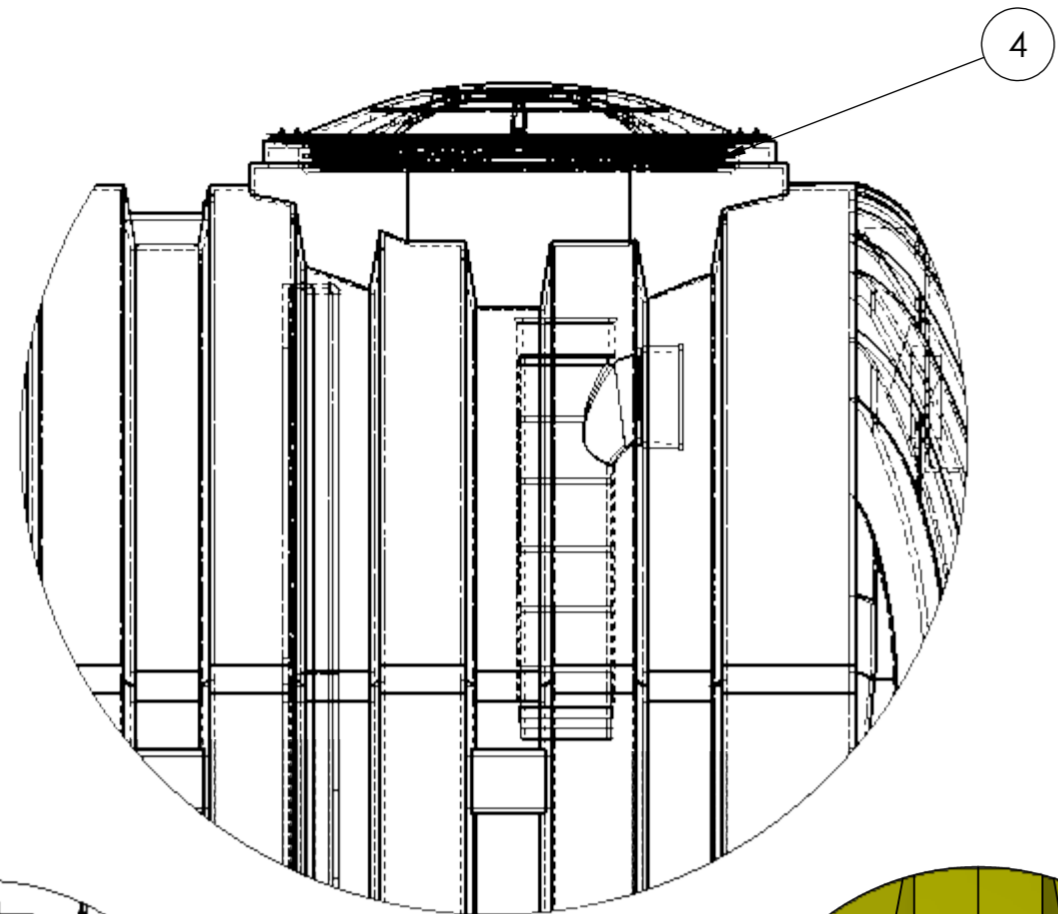
Municipal and County codes may vary from your state approval.
Please make sure you consult with your local sanitation department
or plumber on requirements.

UV resistant BPA Free HDPE
Empty weight: 311
Shipping Class: 300
Includes 2 4" tees and gaskets



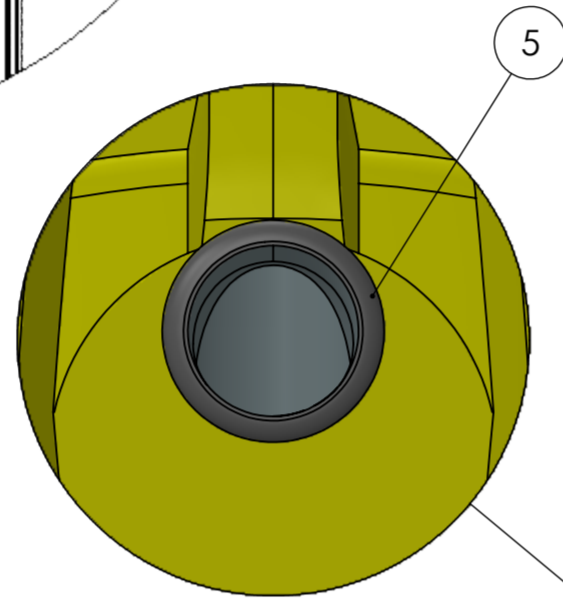
UNLESS OTHERWISE SPECIFIED: DIMENSIONS ARE IN MILLIMETERS			FINISH:			DEBURR AND BREAK SHARP EDGES			DO NOT SCALE DRAWING		REVISION	
TOLERANCES: LINEAR: ANGULAR:												
DRAWN	NAME	SIGNATURE	DATE						TITLE: 87-41718 1000 GALLON ONE COMPARTMENT HDPE SEPTIC TANK			
CHKD									DWG NO.			A2
APPVD									SCALE: 1:18			SHEET 4 OF 7
MFG												
Q.A.												
WEIGHT:												



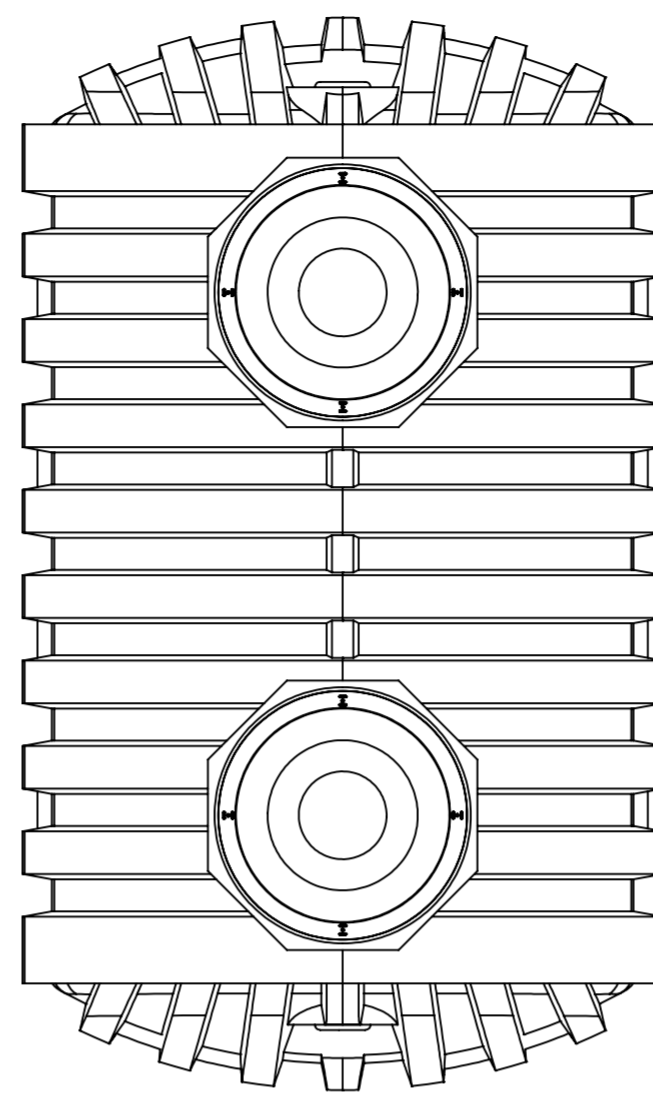


DETAIL H
SCALE 1:9

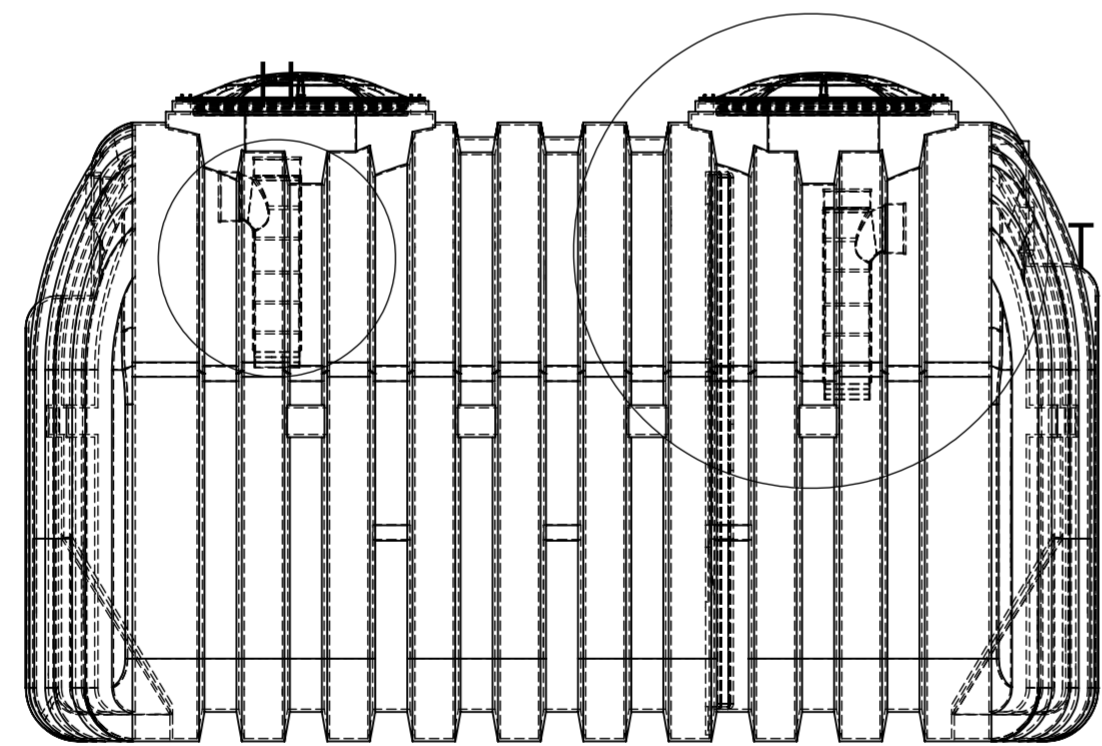
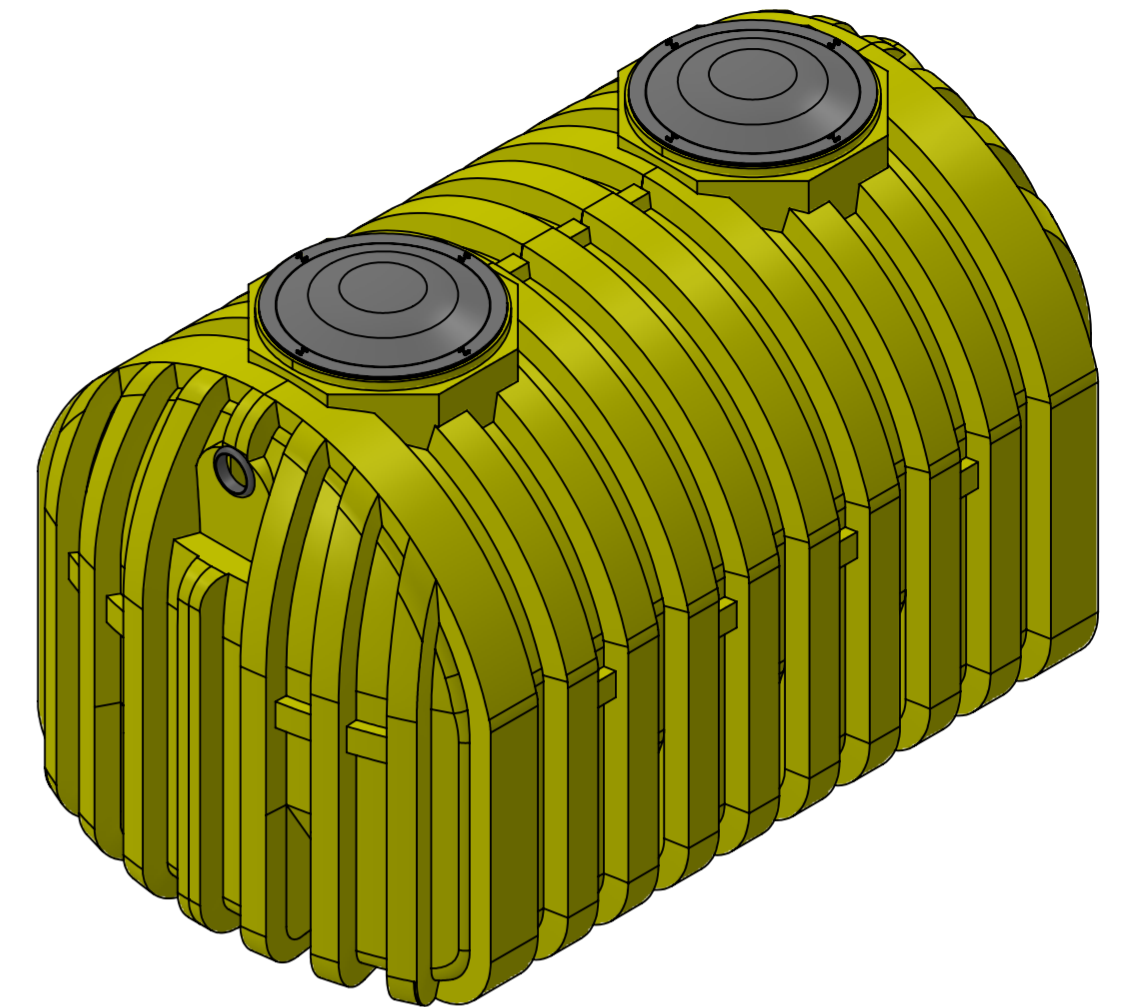
DETAIL T
SCALE 1:9



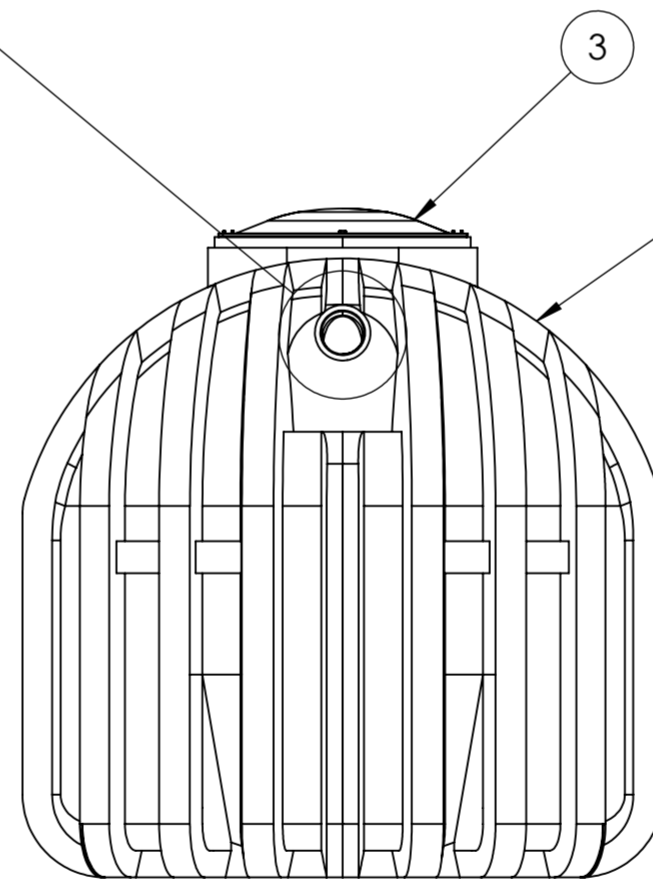
DETAIL R
SCALE 1:4.5



TOP VIEW



VIEW



FRONT VIEW

Operating Volume (Gls)
Primary Compartment: 670
Secondary Compartment: 330

Complies with FDA standards 21 CFR 177.1520 (1) 3.1 and 3.2
3 year limited warranty

Municipal and County codes may vary from your state approval.
Please make sure you consult with your local sanitation department
or plumber on requirements.

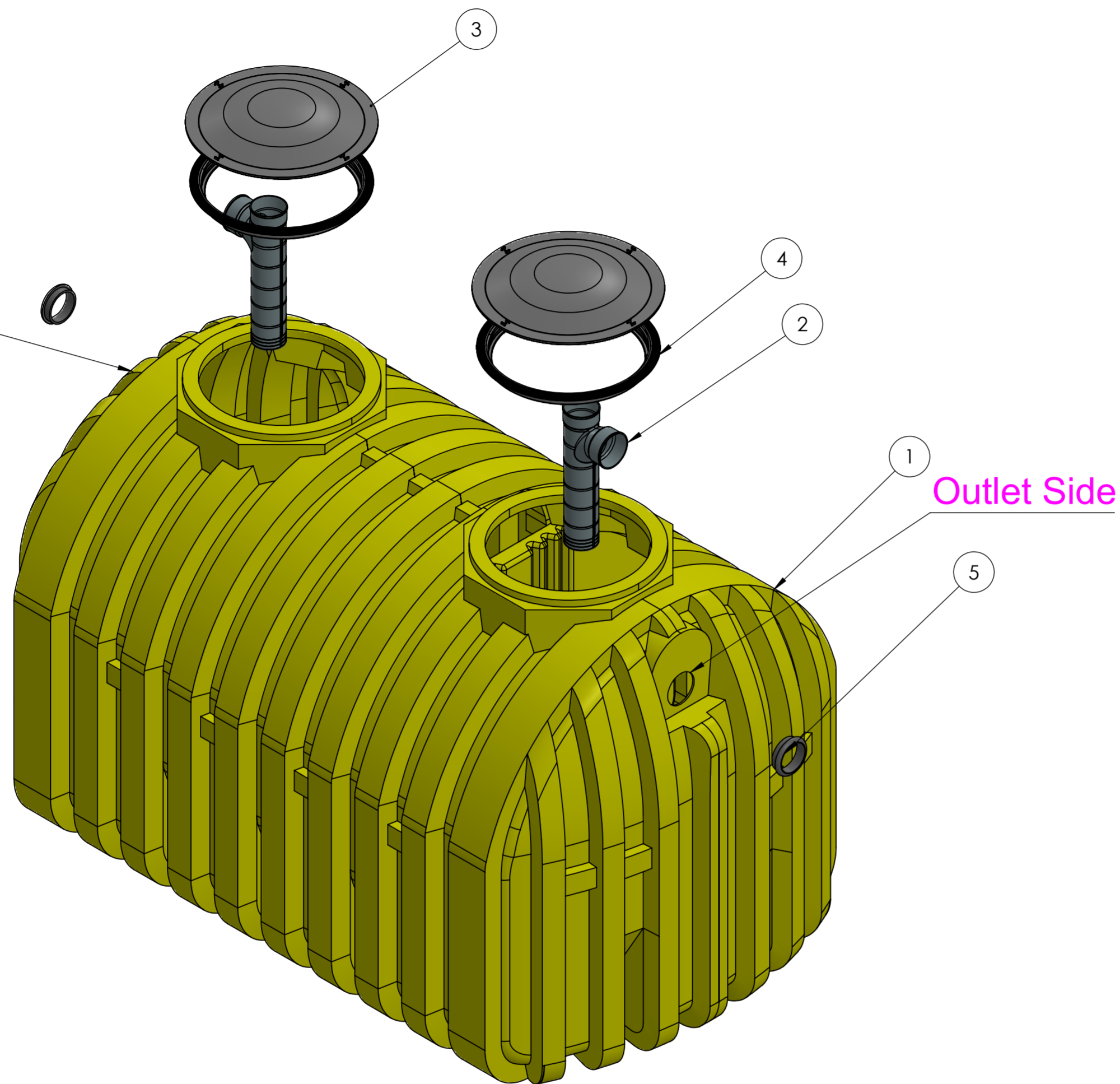
UV resistant BPA Free HDPE
Empty weight: 311
Shipping Class: 300
Includes 2 4" tees and gaskets



ITEM #	MFGR PART #	DESCRIPTION	QTY
1	87-41720	1000g 2C HDPE Septic Tank	1
2	SPL-BR-004	4 Inch Inlet/Outlet Tee	2
3	85-SPL-001-L	20" Black Domed Lid; SS Screws	2
4	WTL-001-FM	Tank Adapter Ring	2
5	85-SPL-ER-G	4 Inch Gasket	2

UNLESS OTHERWISE SPECIFIED: DIMENSIONS ARE IN MILLIMETERS		FINISH:		DEBURR AND BREAK SHARP EDGES		DO NOT SCALE DRAWING		REVISION	
SURFACE FINISH:									
TOLERANCES:									
LINEAR:									
ANGULAR:									
DRAWN	NAME	SIGNATURE	DATE					TITLE: 87-41720 1000 GALLON TWO COMPARTMENT HDPE SEPTIC TANK	
CHK'D									
APP'VD									
MFG									
Q.A.									
				MATERIAL: 098232		DWG. NO.		A2	
				WEIGHT:		SCALE:1:18		SHEET 1 OF 7	

Inlet Side



Outlet Side

Exploded View

Operating Volume (Gls)
 Primary Compartment: 670
 Secondary Compartment: 330

Complies with FDA standards 21 CFR 177.1520 (1) 3.1 and 3.2
 3 year limited warranty

Municipal and County codes may vary from your state approval.
 Please make sure you consult with your local sanitation department
 or plumber on requirements.

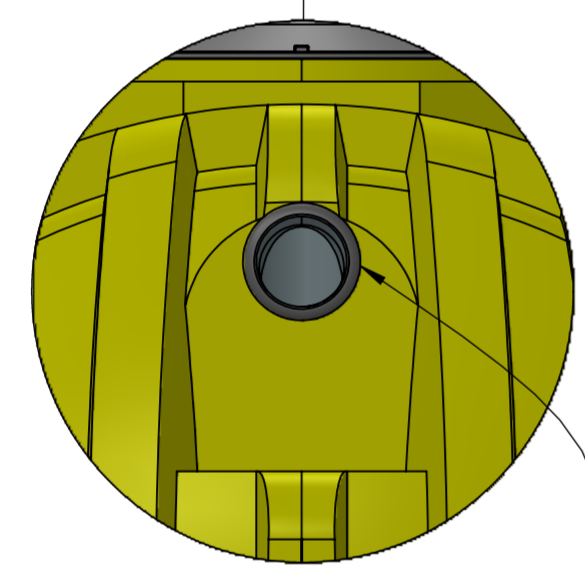
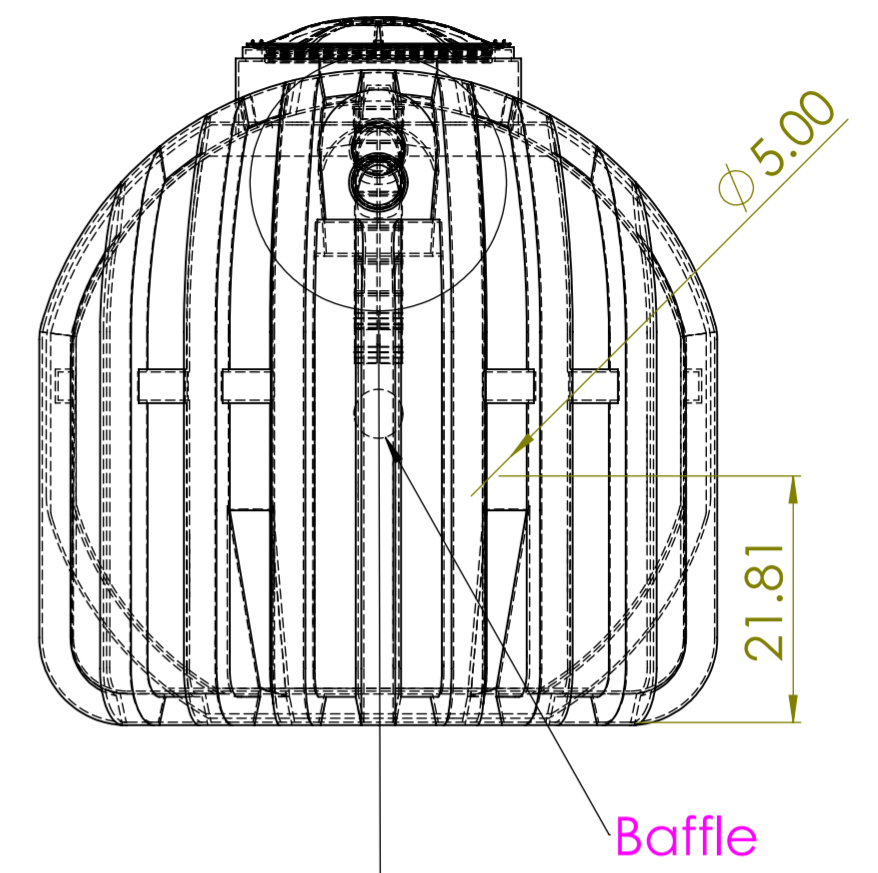
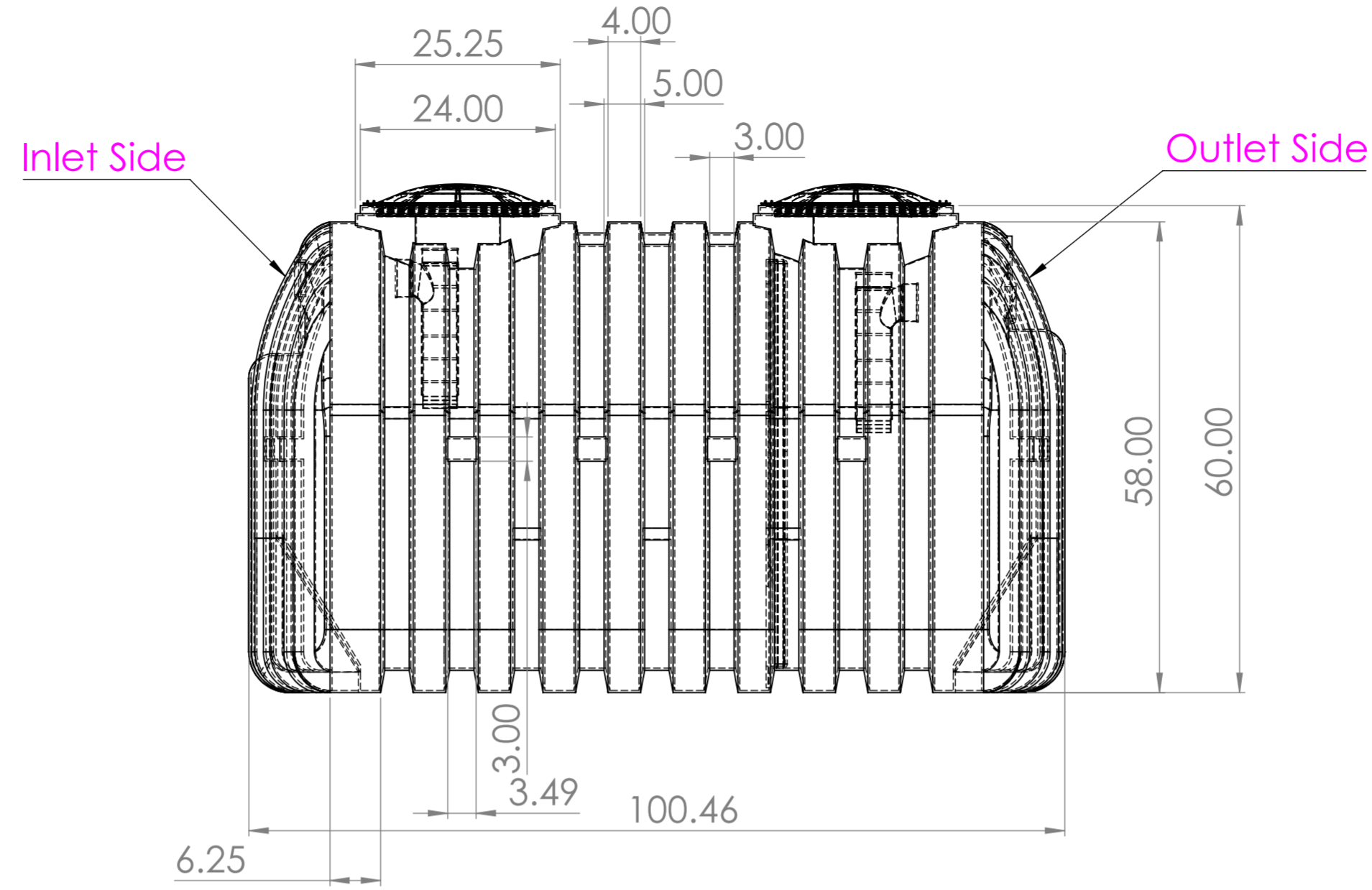
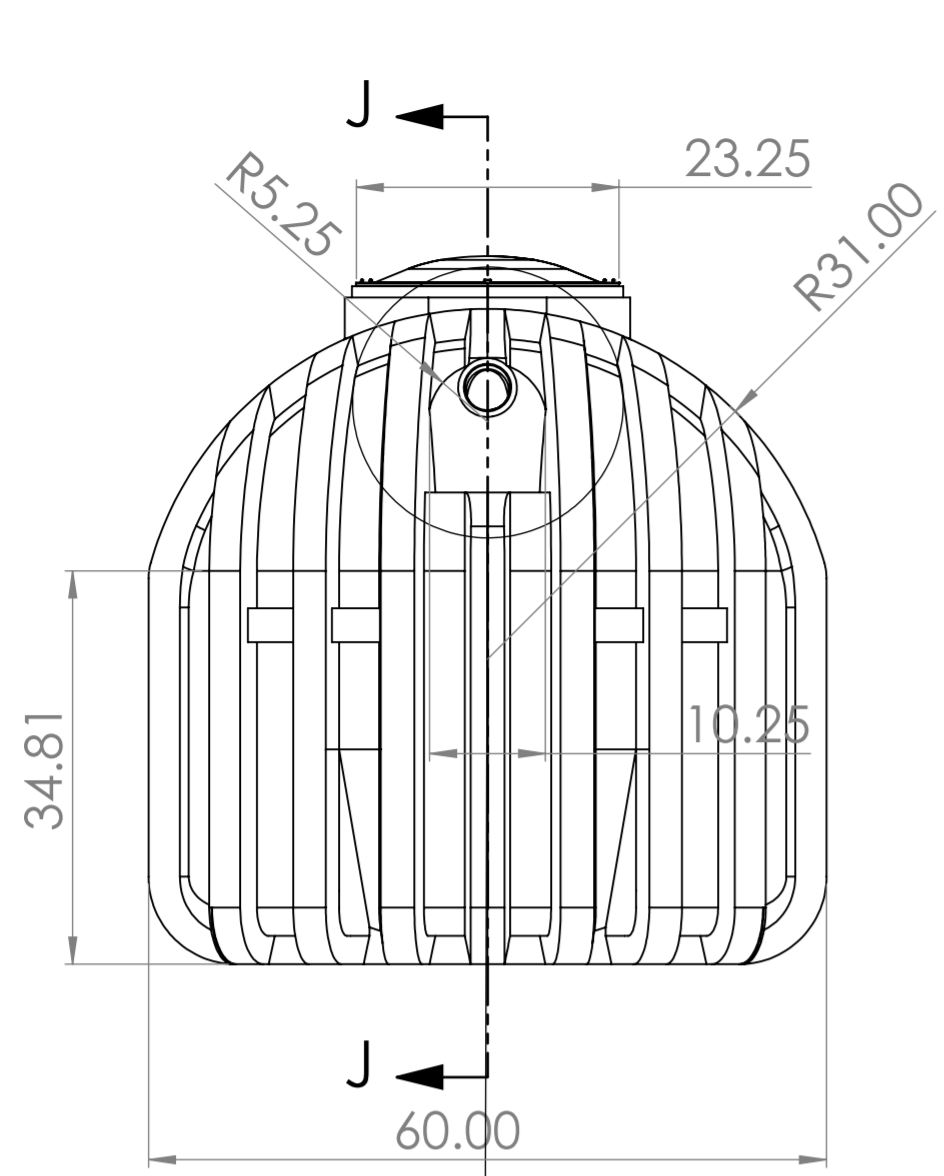
UV resistant BPA Free HDPE
 Empty weight: 311
 Shipping Class: 300
 Includes 2 4" tees and gaskets



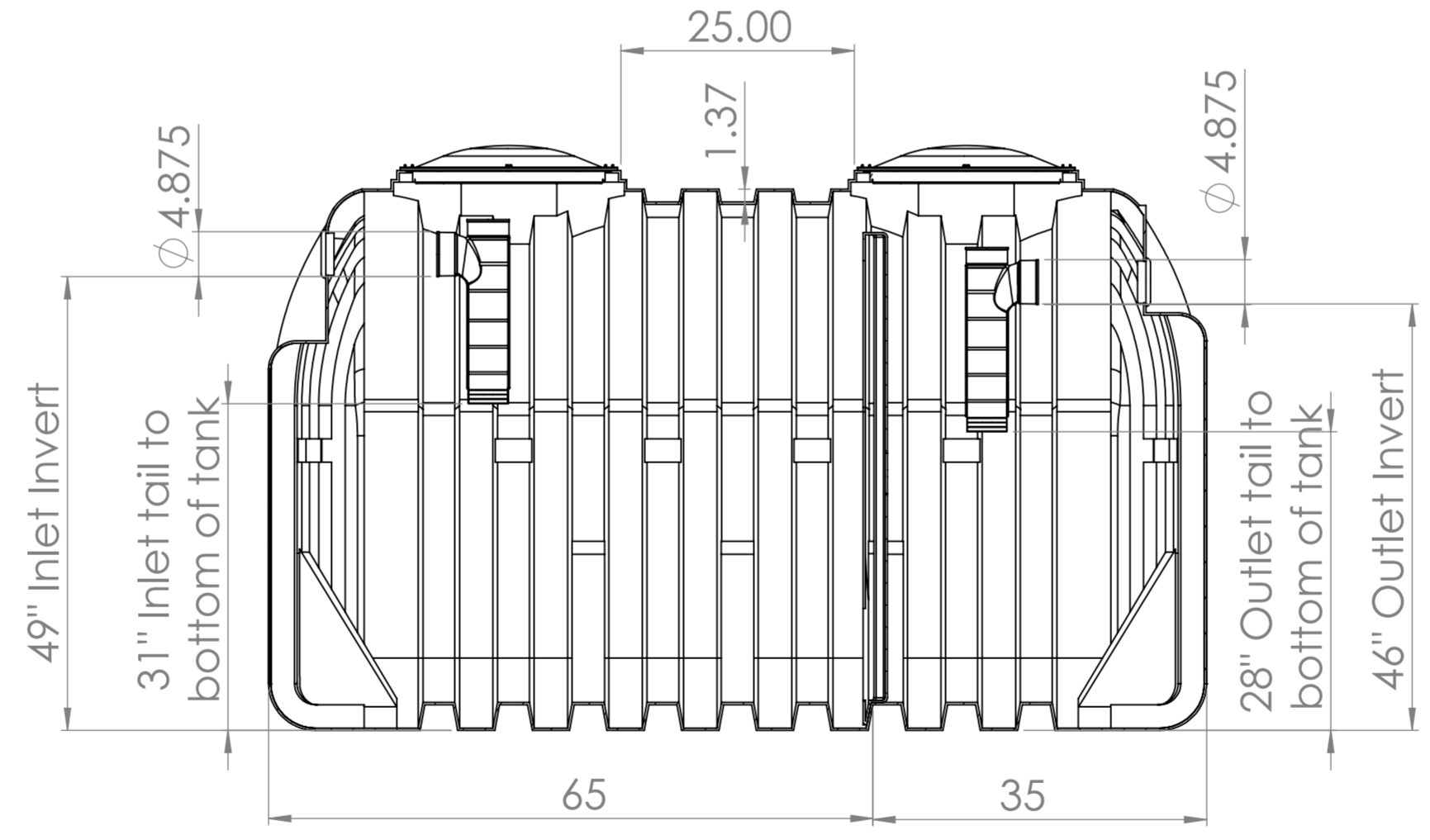
ITEM #	MFGR PART #	DESCRIPTION	QTY
1	87-41720	1000g 2C HDPE Septic Tank	1
2	SPL-BR-004	4 Inch Inlet/Outlet Tee	2
3	85-SPL-001-L	20" Black Domed Lid; SS Screws	2
4	WTL-001-FM	Tank Adapter Ring	2
5	85-SPL-ER-G	4 Inch Gasket	2

UNLESS OTHERWISE SPECIFIED: DIMENSIONS ARE IN MILLIMETERS		FINISH:		DEBURR AND BREAK SHARP EDGES		DO NOT SCALE DRAWING		REVISION	
SURFACE FINISH:		TOLERANCES:		LINEAR:		ANGULAR:		TITLE: 87-41720 1000 GALLON TWO COMPARTMENT HDPE SEPTIC TANK	
DRAWN	NAME	SIGNATURE	DATE	MATERIAL:		DWG NO.		A2	
CHKD				098232		SCALE:1:13		SHEET 2 OF 7	
APPVD				WEIGHT:					
MFG									
Q.A.									

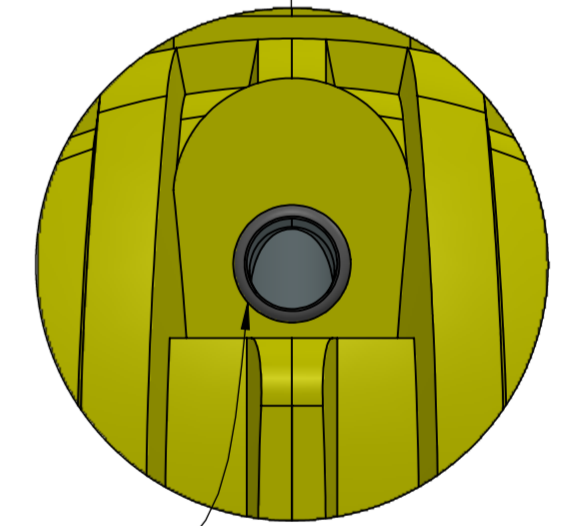




DETAIL W
SCALE 2 : 17



SECTION J-J
SCALE 1 : 17



DETAIL AA
SCALE 2 : 17

4" Gasket
(Inlet Side)

4" Gasket
(Outlet Side)

Operating Volume (Glns)
Primary Compartment: 670
Secondary Compartment: 330

Complies with FDA standards 21 CFR 177.1520 (1) 3.1 and 3.2
3 year limited warranty

Municipal and County codes may vary from your state approval.
Please make sure you consult with your local sanitation department
or plumber on requirements.

UV resistant BPA Free HDPE
Empty weight: 311
Shipping Class: 300
Includes 2 4" tees and gaskets

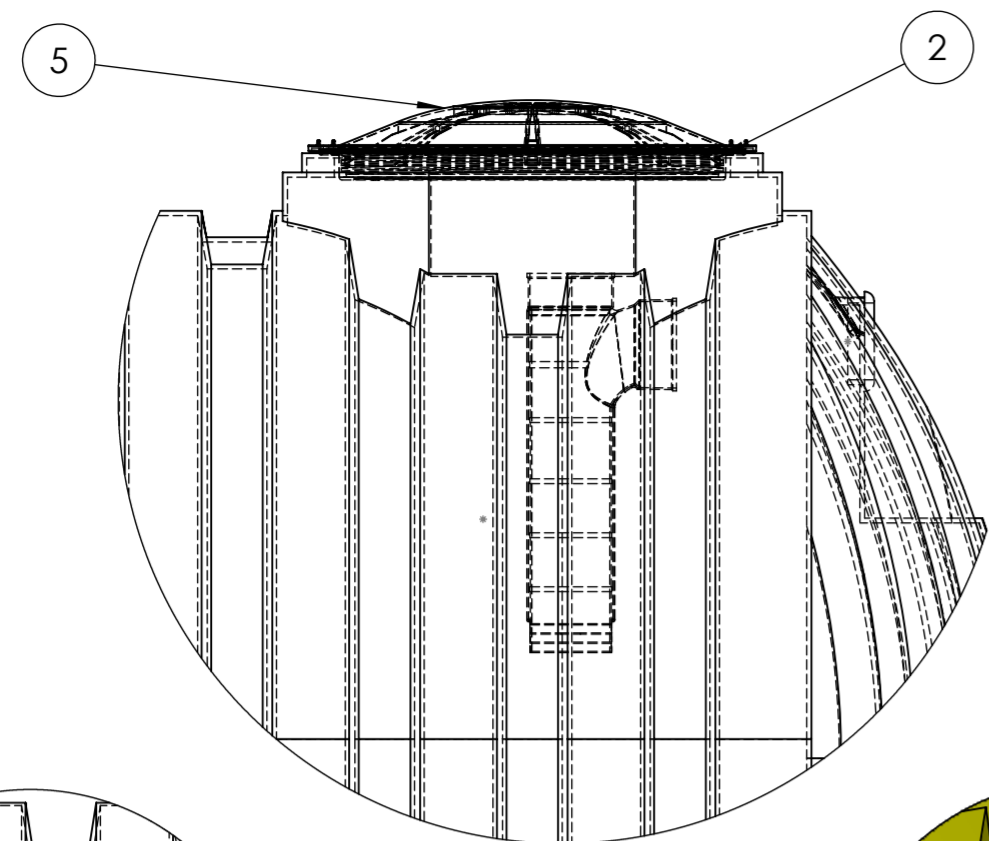


UNLESS OTHERWISE SPECIFIED: DIMENSIONS ARE IN MILLIMETERS SURFACE FINISH: TOLERANCES: LINEAR: ANGULAR:			FINISH:			DEBURR AND BREAK SHARP EDGES			DO NOT SCALE DRAWING		REVISION		
DRAWN			NAME			SIGNATURE			DATE			TITLE: 87-41720 1000 GALLON TWO COMPARTMENT HDPE SEPTIC TANK	
CHKD			MATERIAL:			DWG NO.			SCALE:1:17			SHEET 3 OF 7	
APPVD			WEIGHT:			A2							
MFG													
Q.A.													

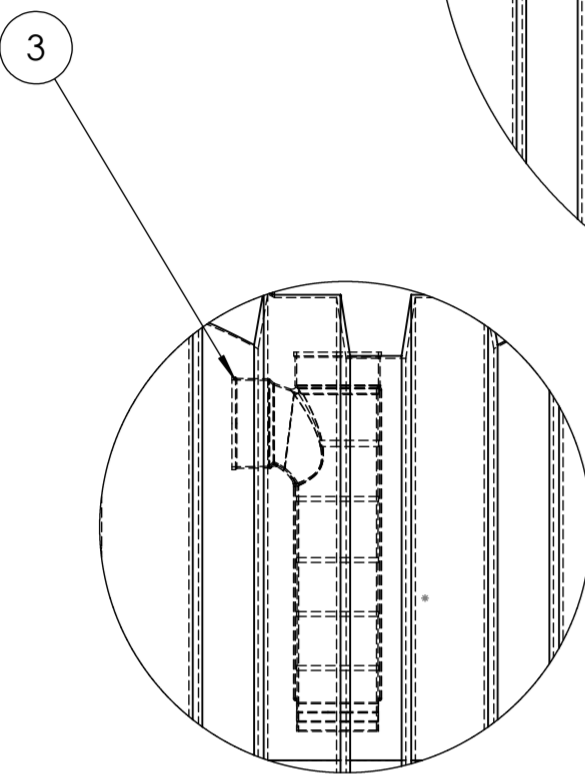
12 11 10 9 8 7 6 5 4 3 2 1

H
G
F
E
D
C
B
A

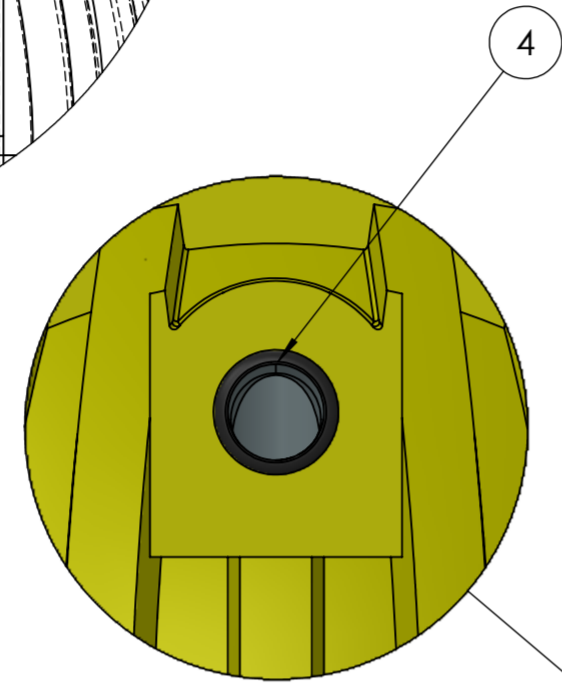
H
G
F
E
D
C
B
A



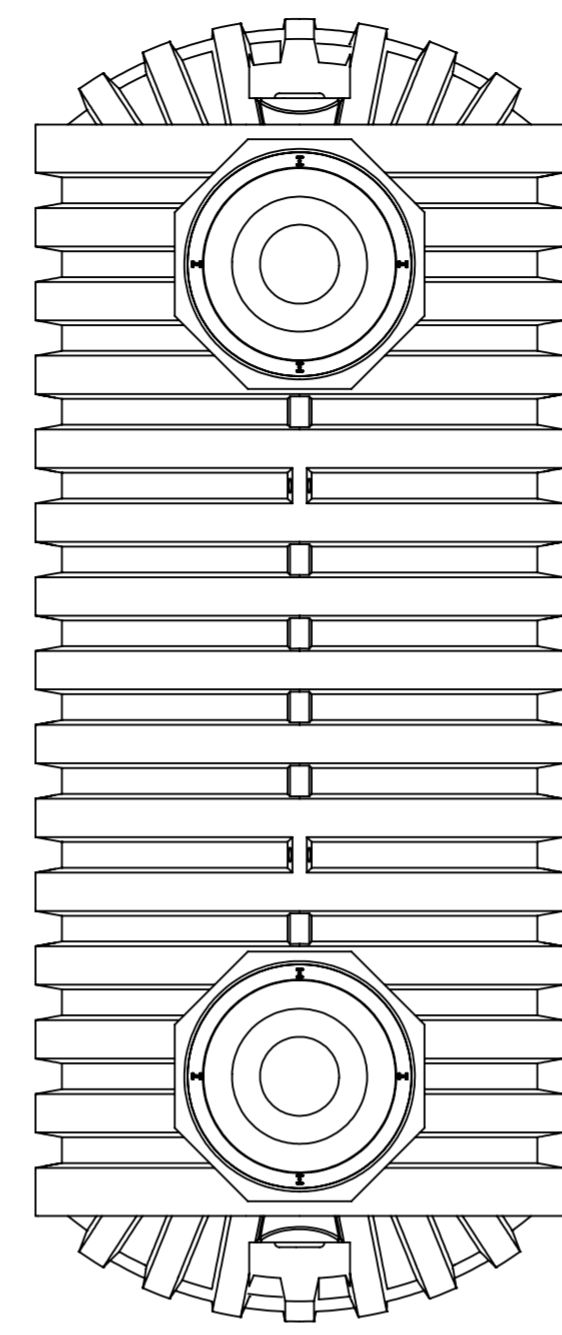
DETAIL B
SCALE 1:10



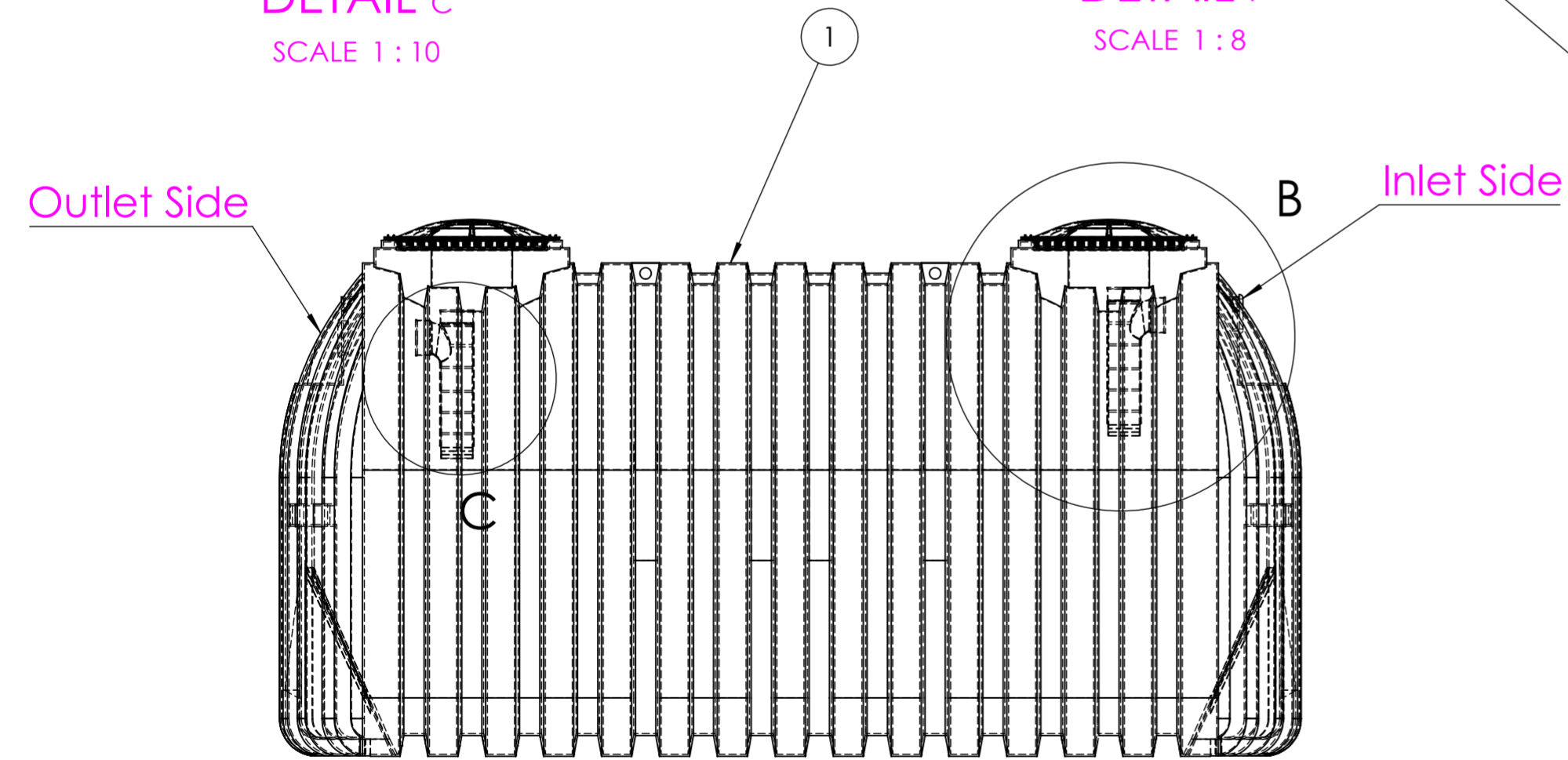
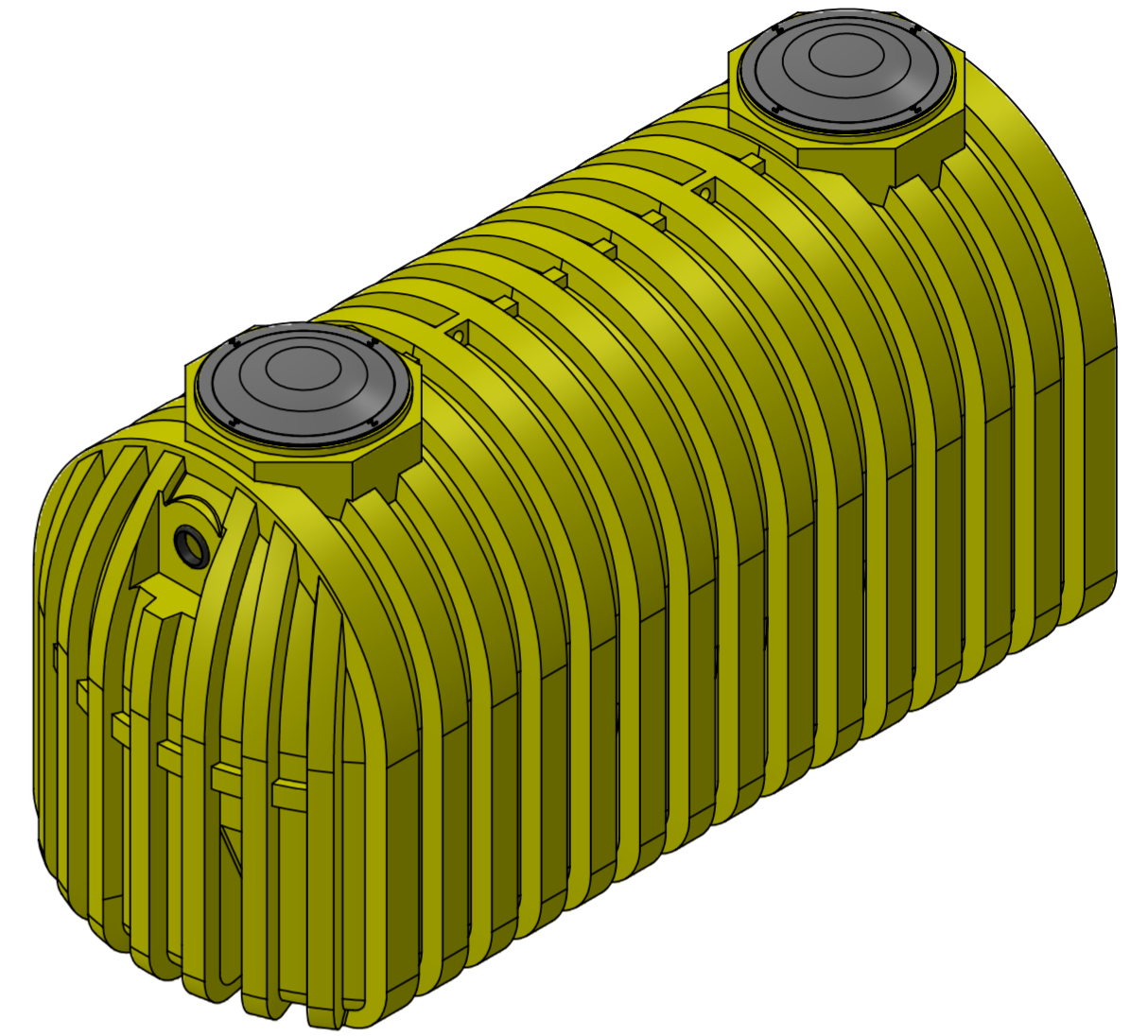
DETAIL C
SCALE 1:10



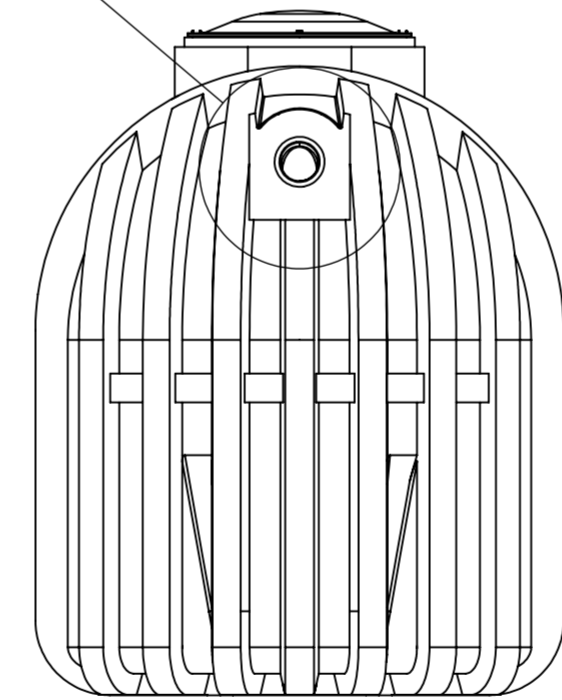
DETAIL F
SCALE 1:8



TOP VIEW



SIDE VIEW



FRONT VIEW

ITEM #	MFGR PART #	DESCRIPTION	QTY
1	87-41758	1500g IC HDPE Septic Tank	1
2	WTL-001-FM	Tank Adapter Ring	2
3	SPL-BR-004	4 Inch Inlet/Outlet Tee	2
4	85-SPL-ER-G	4 Inch Gasket	2
5	85-SPL-001-I	20" Black Domed Lid; SS Screws	2

Complies with FDA standards 21 CFR 177.1520 (1) 3.1 and 3.2
3 year limited warranty

Municipal and County codes may vary from your state approval.
Please make sure you consult with your local sanitation
department or plumber on requirements.

UV resistant BPA Free HDPE
Empty weight: 439
Shipping Class: 300
Includes 2 4" tees and gaskets



UNLESS OTHERWISE SPECIFIED: DIMENSIONS ARE IN MILLIMETERS		FINISH:	DEBURR AND BREAK SHARP EDGES	DO NOT SCALE DRAWING	REVISION
SURFACE FINISH:					
TOLERANCES:					
LINEAR:					
ANGULAR:					
DRAWN	NAME	SIGNATURE	DATE	TITLE: 87-41758 1500 GALLON ONE COMPARTMENT HDPE SEPTIC TANK	
CHKD				DWG NO.	A2
APPVD					
MFG					
Q.A.					
				SCALE:1:20	SHEET 1 OF 7

12 11 10 9 8 7 6 5 4 3 2 1

Outlet Side

Inlet Side

Exploded View

Complies with FDA standards 21 CFR 177.1520 (1) 3.1 and 3.2
3 year limited warranty

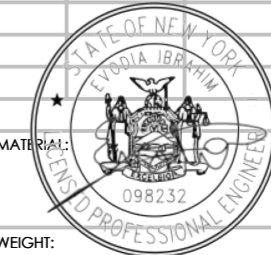
Municipal and County codes may vary from your state approval.
Please make sure you consult with your local sanitation
department or plumber on requirements.

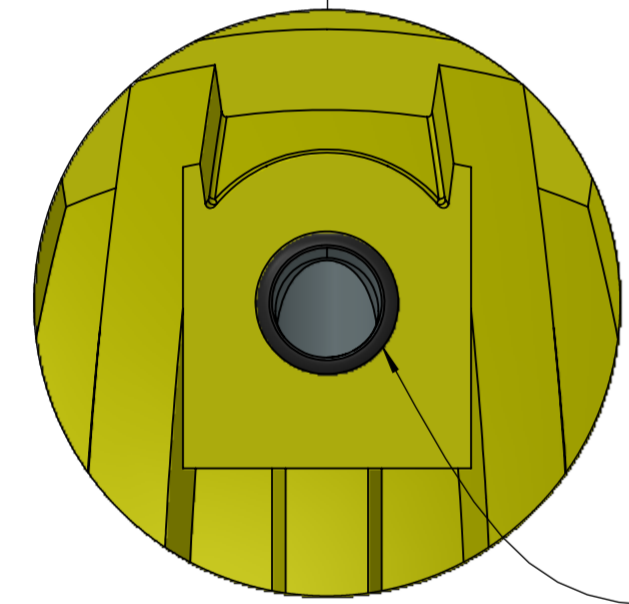
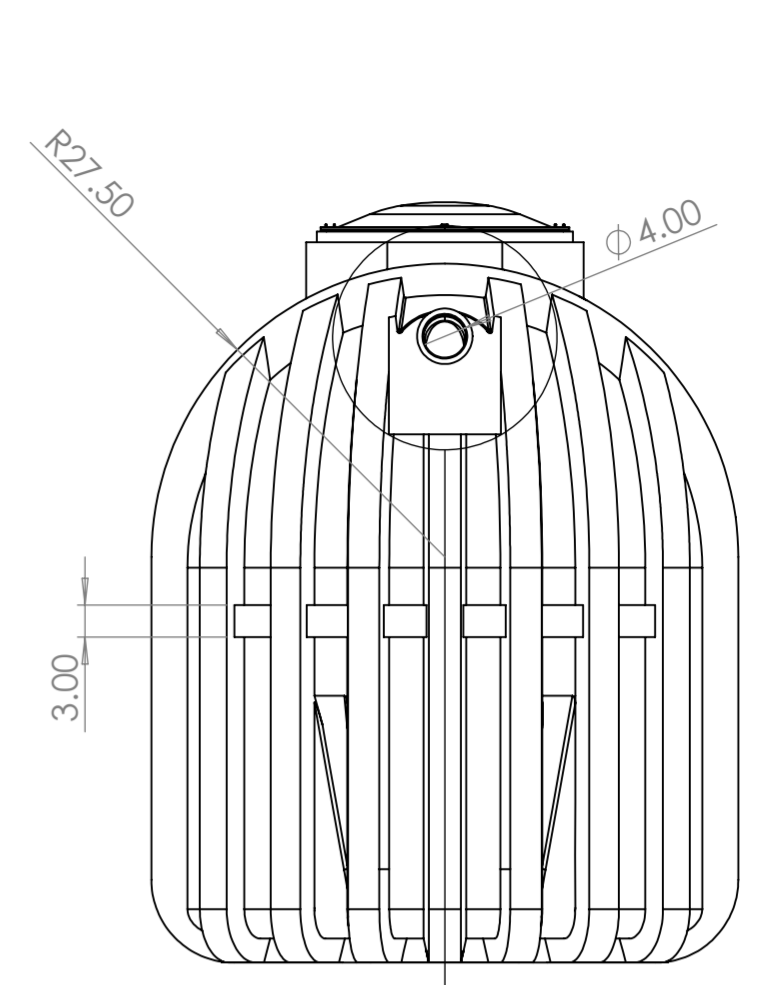
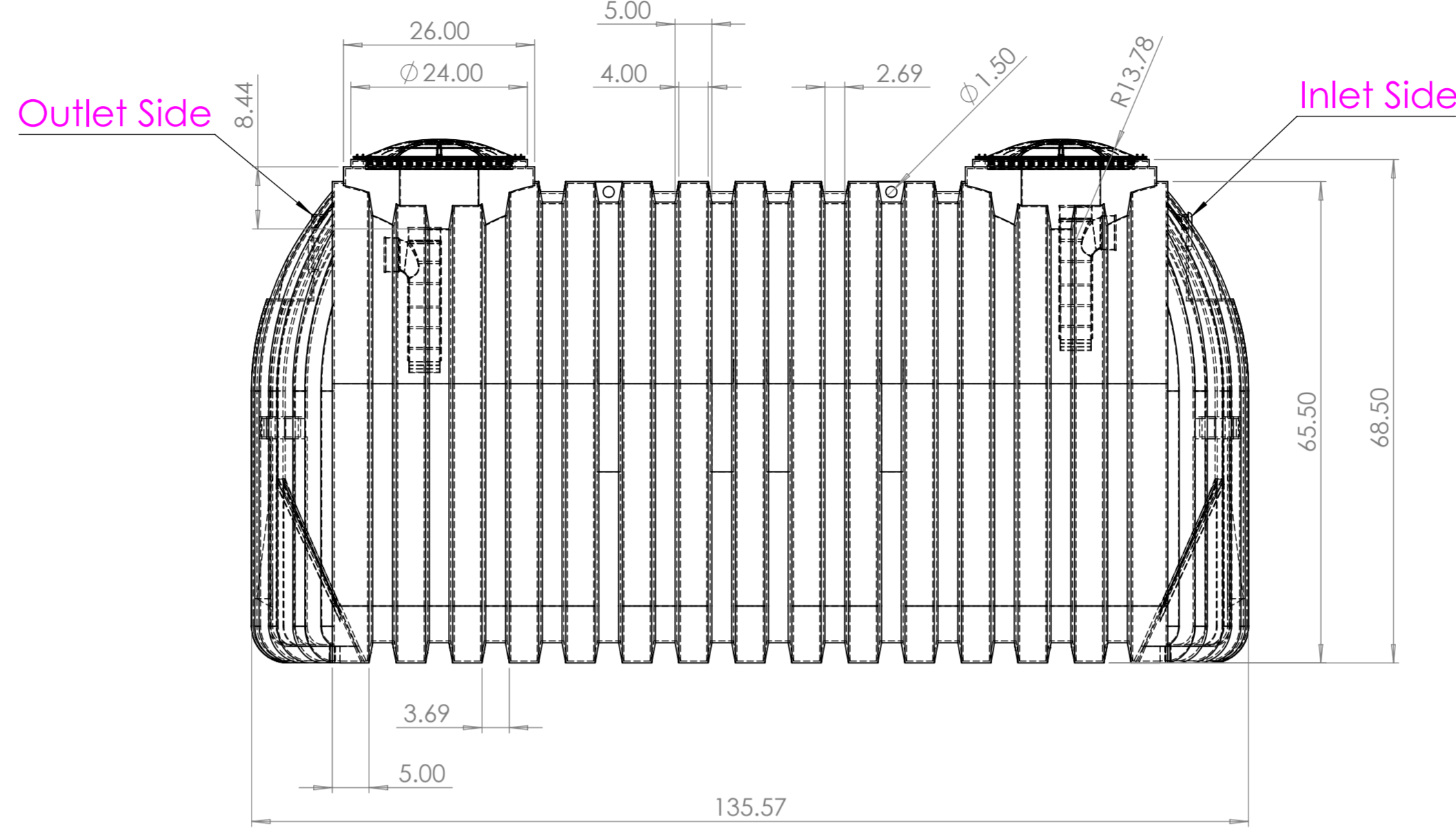
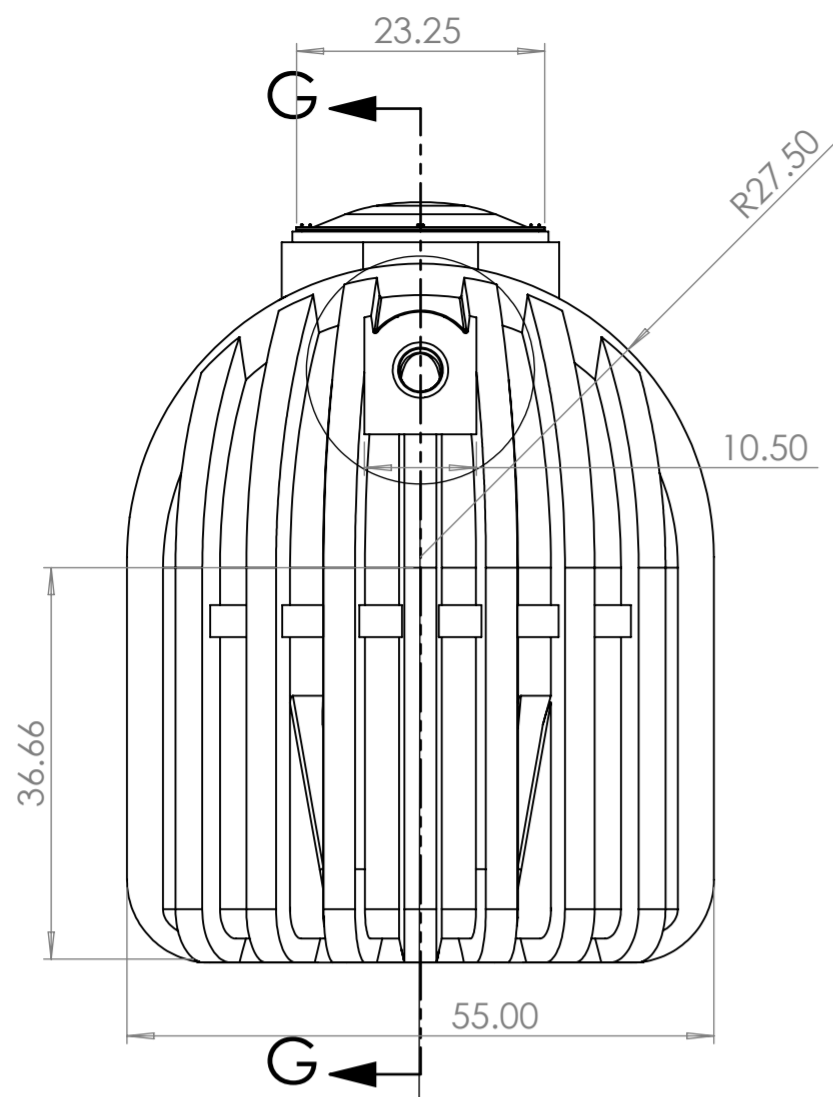
UV resistant BPA Free HDPE
Empty weight: 439
Shipping Class: 300
Includes 2 4" tees and gaskets



ITEM #	MFGR PART #	DESCRIPTION	QTY
1	87-41758	1500g IC HDPE Septic Tank	1
2	WTL-001-FM	Tank Adapter Ring	2
3	SPL-BR-004	4 Inch Inlet/Outlet Tee	2
4	85-SPL-ER-G	4 Inch Gasket	2
5	85-SPL-001-I	20" Black Domed Lid; SS Screws	2

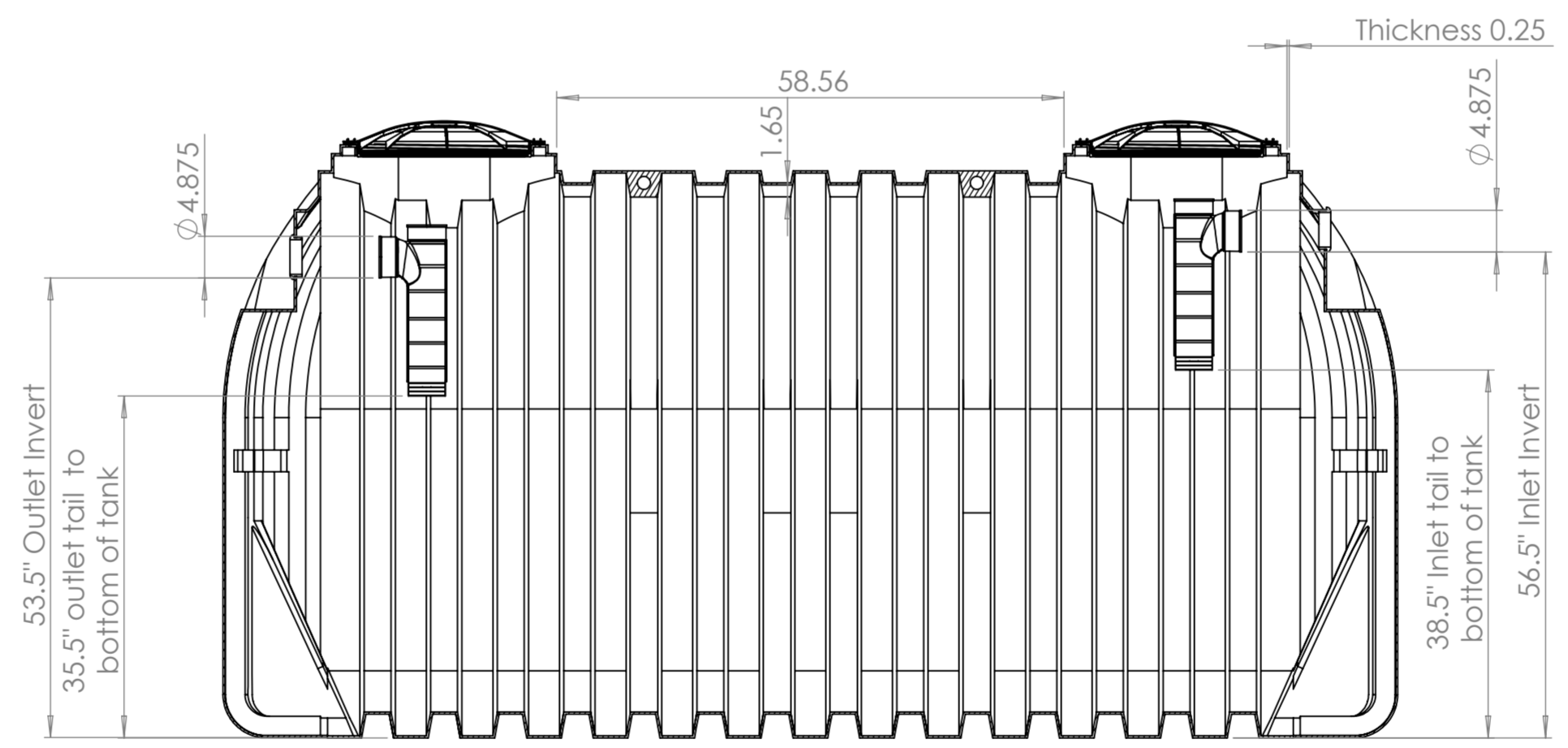
UNLESS OTHERWISE SPECIFIED: DIMENSIONS ARE IN MILLIMETERS		FINISH:		DEBURR AND BREAK SHARP EDGES		DO NOT SCALE DRAWING		REVISION	
TOLERANCES: LINEAR: ANGULAR:									
DRAWN	NAME	SIGNATURE	DATE			TITLE:		87-41758 1500 GALLON ONE COMPARTMENT HDPE SEPTIC TANK	
CHKD						DWG NO.		A2	
APPVD						SCALE:1:13		SHEET 2 OF 7	
MFG						WEIGHT:			
Q.A.									



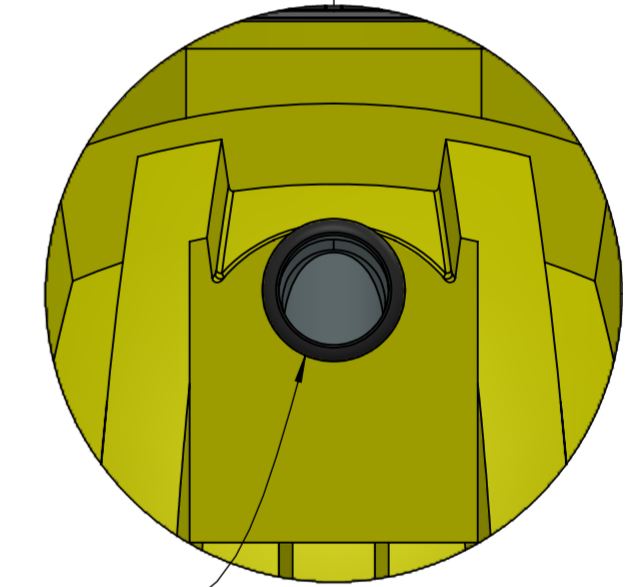


DETAIL K
SCALE 1:7

4" Gasket (Outlet Side)



SECTION G-G
SCALE 1:18



4" Gasket (Inlet Side)

DETAIL J
SCALE 1:7

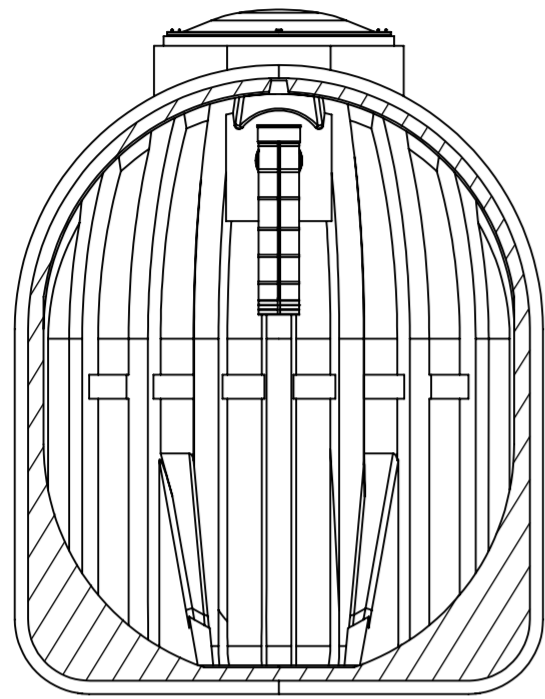
Complies with FDA standards 21 CFR 177.1520 (1) 3.1 and 3.2
3 year limited warranty

Municipal and County codes may vary from your state approval.
Please make sure you consult with your local sanitation department or plumber on requirements.

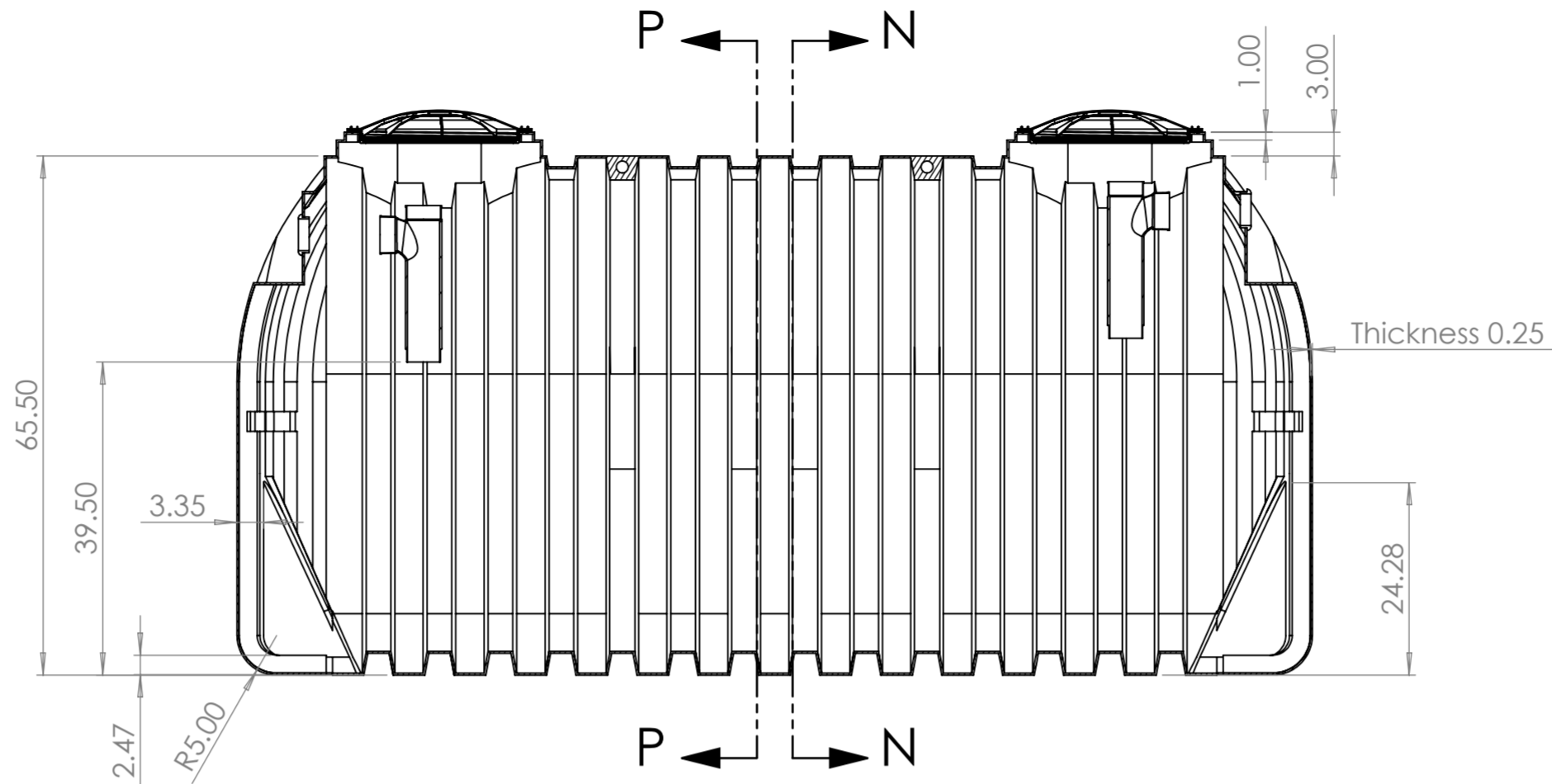
UV resistant BPA Free HDPE
Empty weight: 439
Shipping Class: 300
Includes 2 4" tees and gaskets



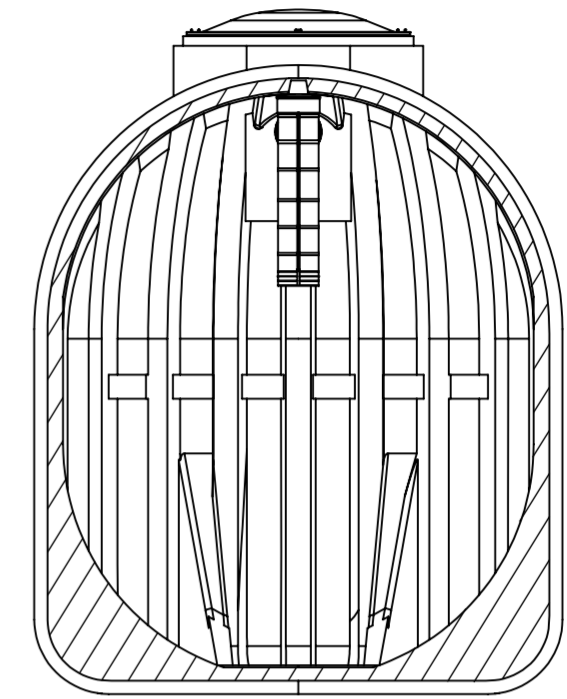
UNLESS OTHERWISE SPECIFIED: DIMENSIONS ARE IN MILLIMETERS SURFACE FINISH: TOLERANCES: LINEAR: ANGULAR:			FINISH:	DEBURR AND BREAK SHARP EDGES	DO NOT SCALE DRAWING	REVISION
DRAWN	NAME	SIGNATURE	DATE		TITLE: 87-41758 1500 GALLON ONE COMPARTMENT HDPE SEPTIC TANK	
CHK'D					DWG NO.	A2
APP'VD					SCALE: 1:20	SHEET 3 OF 7
MFG						
Q.A.						
WEIGHT:						



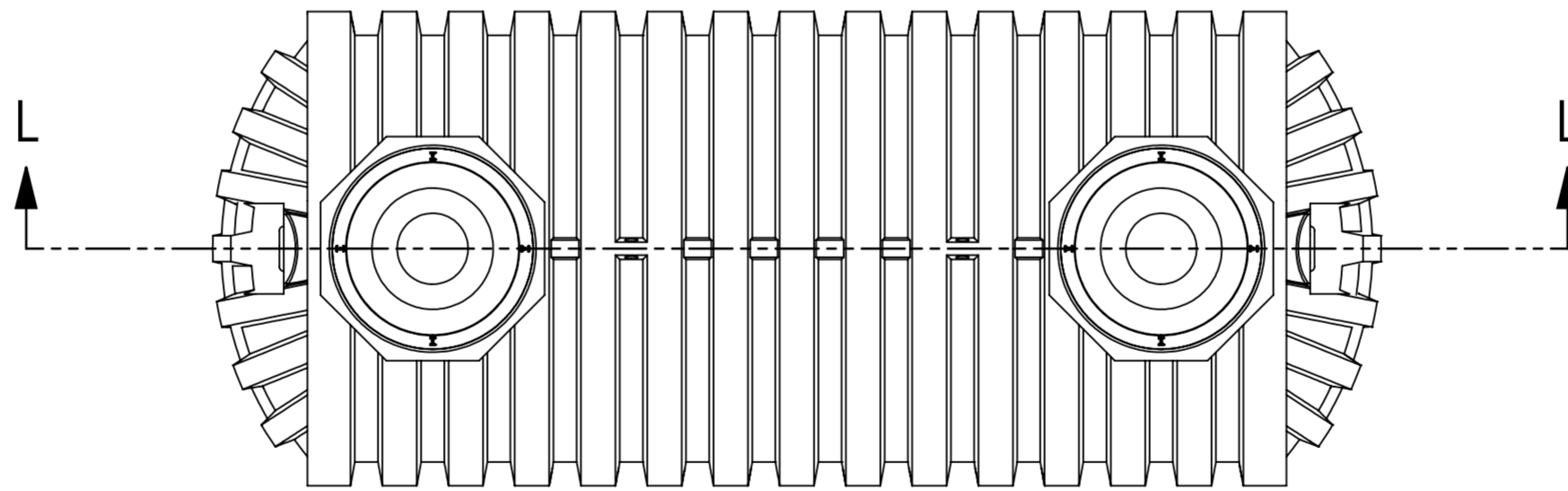
SECTION P-P
Outlet side



SECTION L-L



SECTION N-N
Inlet side



Complies with FDA standards 21 CFR 177.1520 (1) 3.1 and 3.2
3 year limited warranty

Municipal and County codes may vary from your state approval.
Please make sure you consult with your local sanitation
department or plumber on requirements.

UV resistant BPA Free HDPE
Empty weight: 439
Shipping Class: 300
Includes 2 4" tees and gaskets

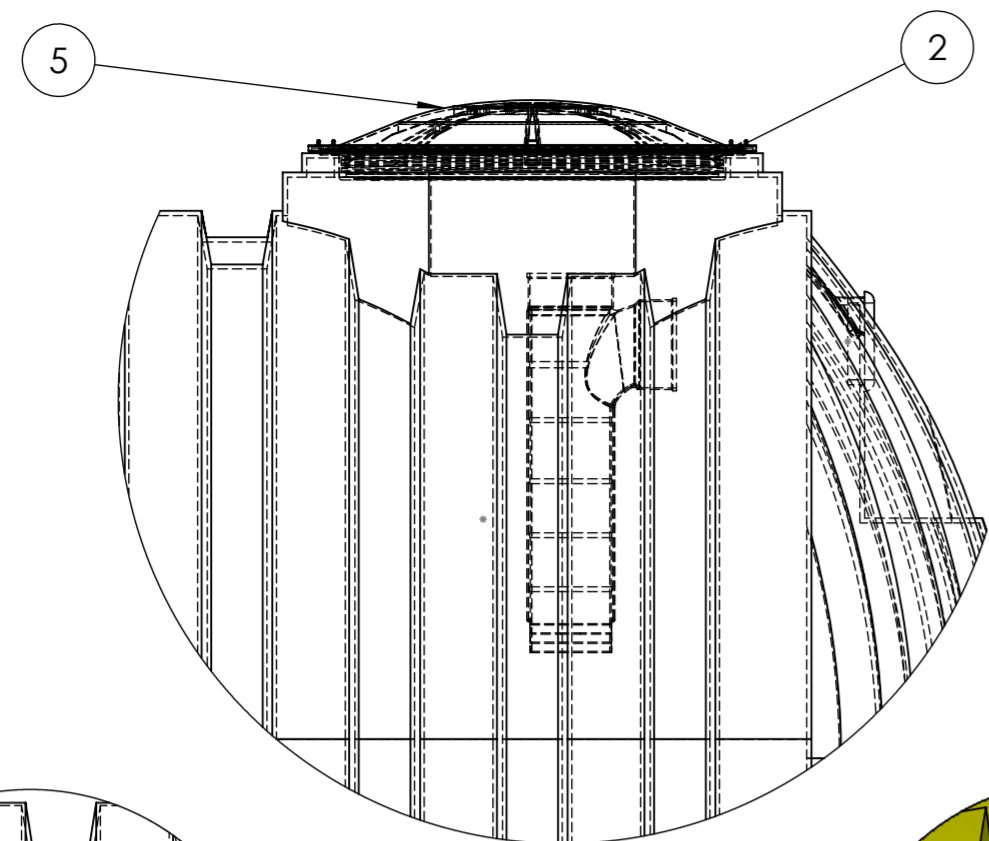


UNLESS OTHERWISE SPECIFIED: DIMENSIONS ARE IN MILLIMETERS			FINISH:		DEBURR AND BREAK SHARP EDGES		DO NOT SCALE DRAWING		REVISION	
TOLERANCES: LINEAR: ANGULAR:										
DRAWN			NAME		SIGNATURE		DATE		TITLE:	
CHK'D									87-41758 1500 GALLON ONE COMPARTMENT HDPE SEPTIC TANK	
APP'VD									DWG NO.	
MFG									A2	
Q.A.									SCALE: 1:20	
									SHEET 4 OF 7	

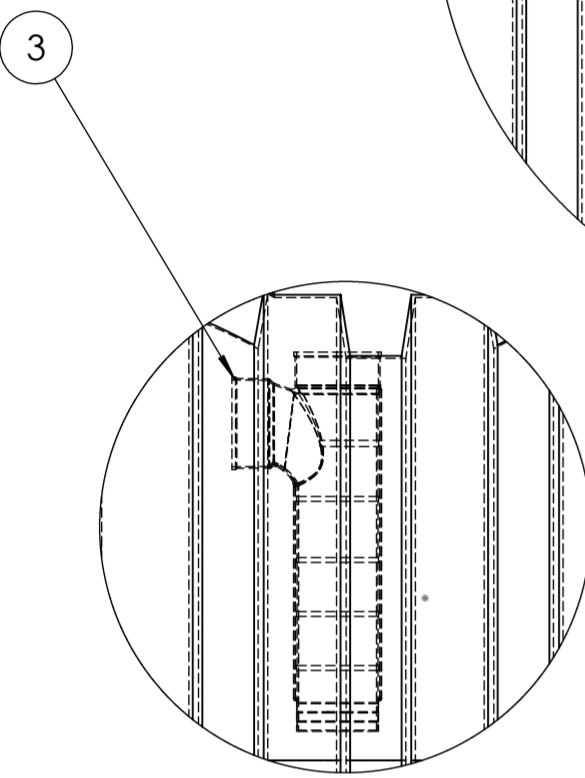
12 11 10 9 8 7 6 5 4 3 2 1

H
G
F
E
D
C
B
A

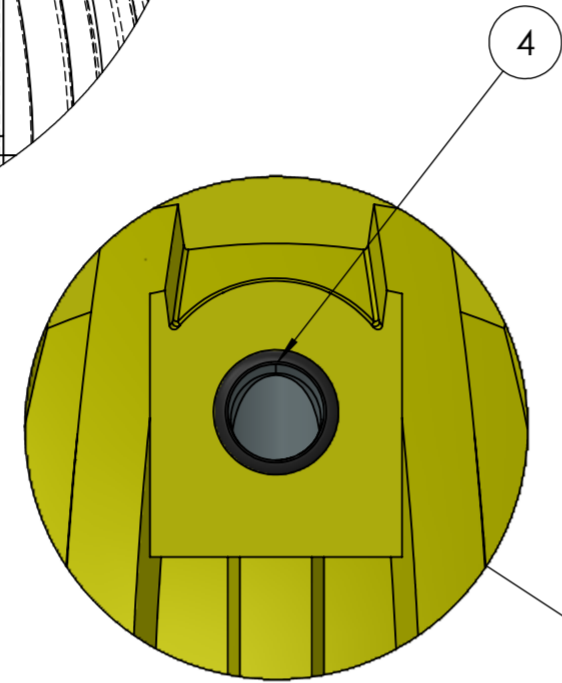
H
G
F
E
D
C
B
A



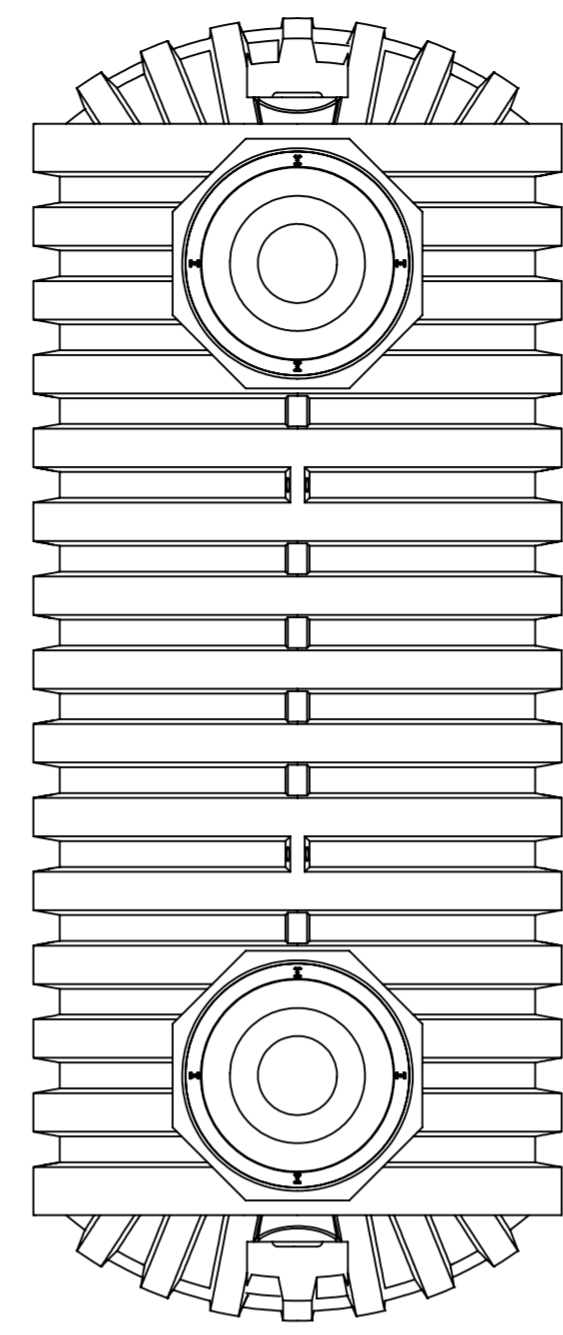
DETAIL B
SCALE 1:10



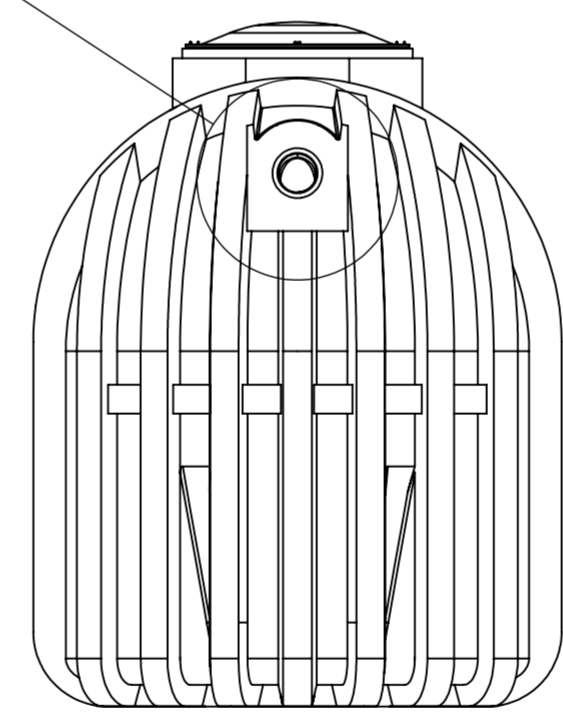
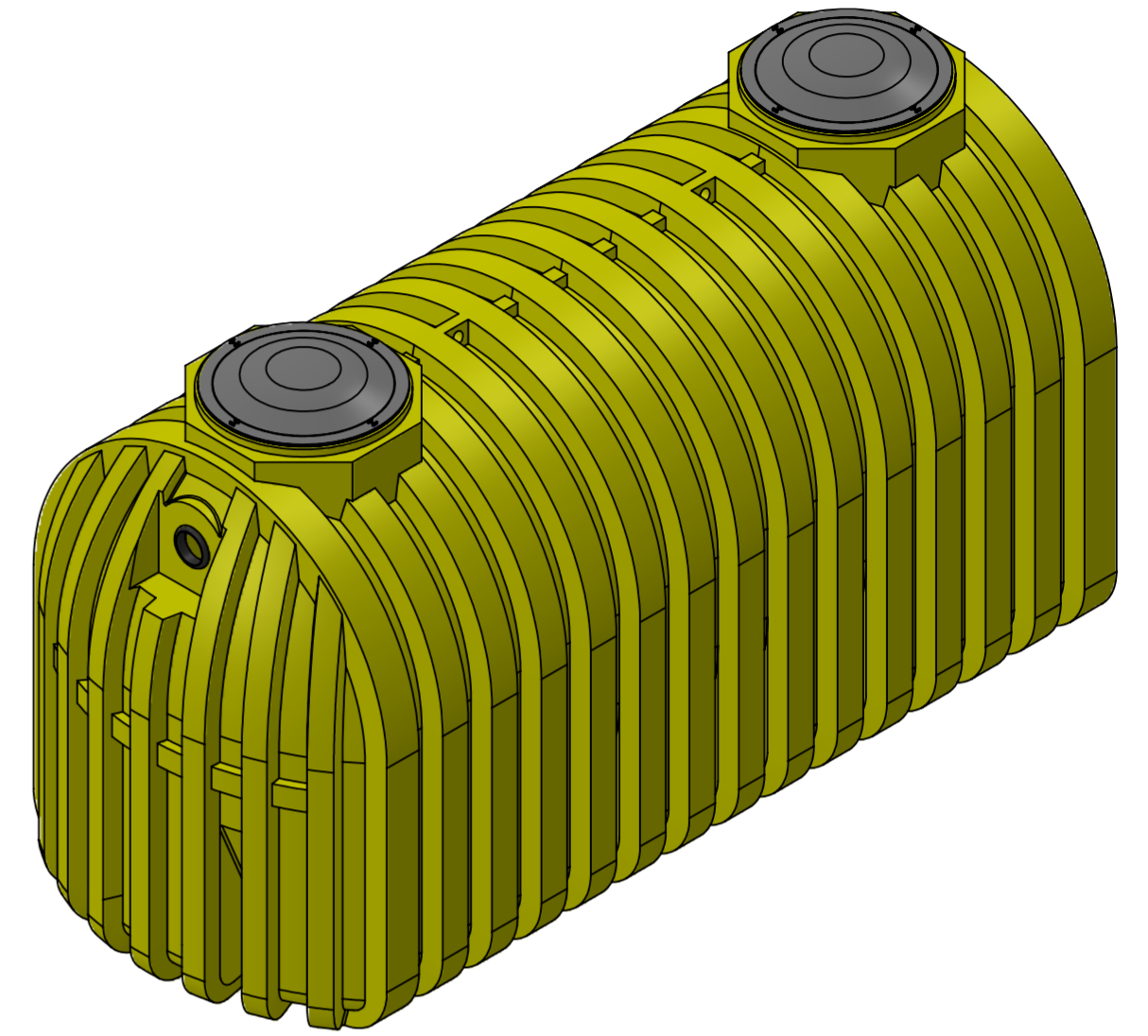
DETAIL C
SCALE 1:10



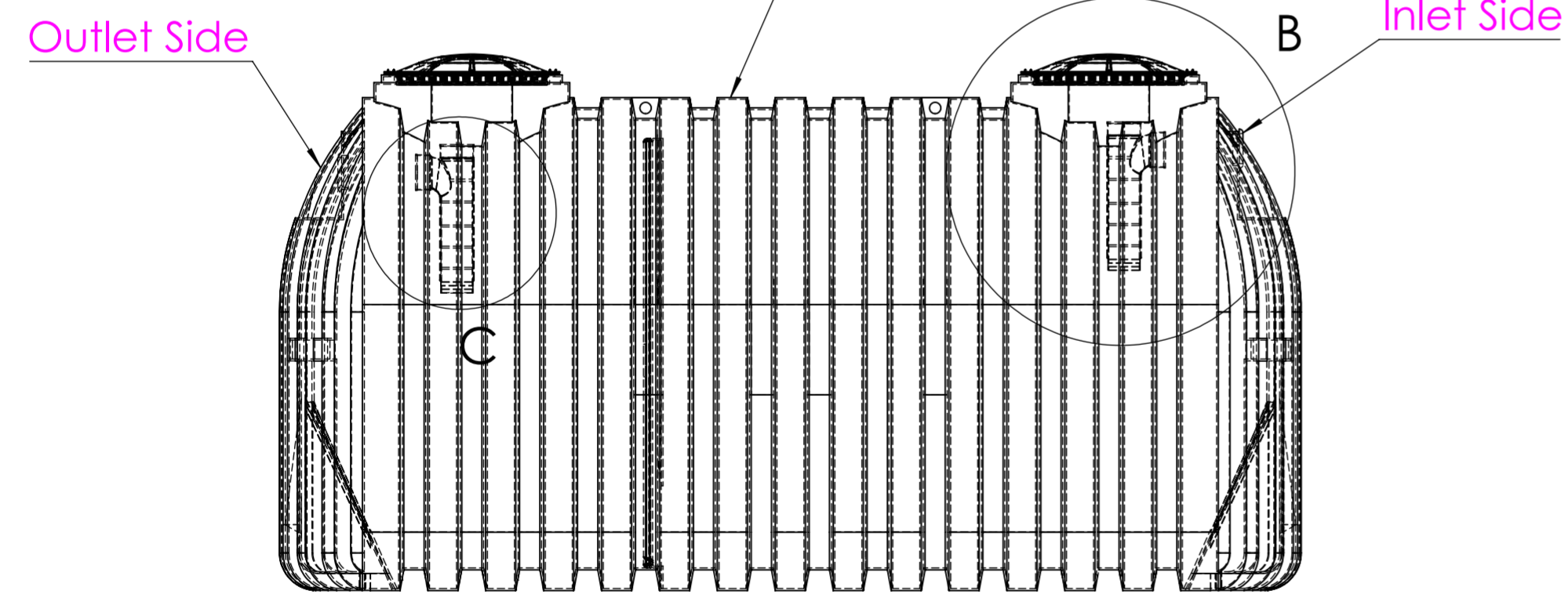
DETAIL F
SCALE 1:8



TOP VIEW



FRONT VIEW



SIDE VIEW

Operating Volume (Gls)
Primary Compartment: 1006
Secondary Compartment: 494

Complies with FDA standards 21 CFR 177.1520 (1) 3.1 and 3.2
3 year limited warranty

Municipal and County codes may vary from your state approval.
Please make sure you consult with your local sanitation department
or plumber on requirements.

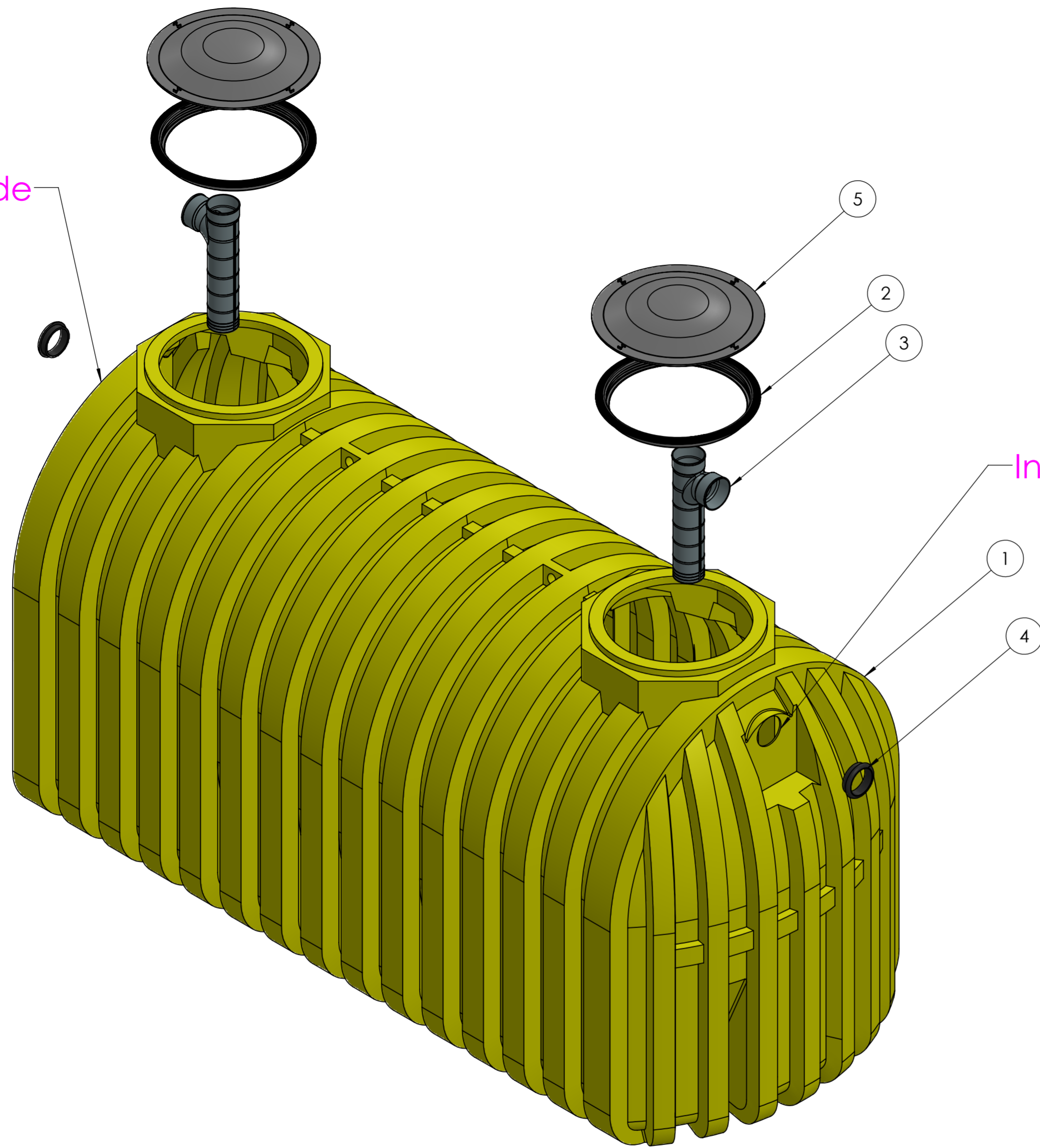
UV resistant BPA Free HDPE
Empty weight: 458
Shipping Class: 300
Includes 2 4" tees and gaskets



ITEM #	MFGR PART #	DESCRIPTION	QTY
1	87-41760	1500g 2C HDPE Septic Tank	1
2	WTL-001-FM	Tank Adapter Ring	2
3	SPL-BR-004	4 Inch Inlet/Outlet Tee	2
4	85-SPL-ER-G	4 Inch Gasket	2
5	85-SPL-001-L	20" Black Domed Lid; SS Screws	2

UNLESS OTHERWISE SPECIFIED: DIMENSIONS ARE IN MILLIMETERS		FINISH:		DEBURR AND BREAK SHARP EDGES		DO NOT SCALE DRAWING		REVISION	
SURFACE FINISH:									
TOLERANCES:									
LINEAR:									
ANGULAR:									
DRAWN	NAME	SIGNATURE	DATE			TITLE:		87-41760 1500 GALLON TWO COMPARTMENT HDPE SEPTIC TANK	
CHKD						DWG NO.		A2	
APPVD						SCALE:1:20		SHEET 1 OF 7	
MFG									
Q.A.									
				WEIGHT:					

12 11 10 9 8 7 6 5 4 3 2 1



Outlet Side

Inlet Side

Exploded View

Operating Volume (Gls)
 Primary Compartment: 1006
 Secondary Compartment: 494

Complies with FDA standards 21 CFR 177.1520 (1) 3.1 and 3.2
 3 year limited warranty

Municipal and County codes may vary from your state approval.
 Please make sure you consult with your local sanitation department
 or plumber on requirements.

UV resistant BPA Free HDPE
 Empty weight: 458
 Shipping Class: 300
 Includes 2 4" tees and gaskets



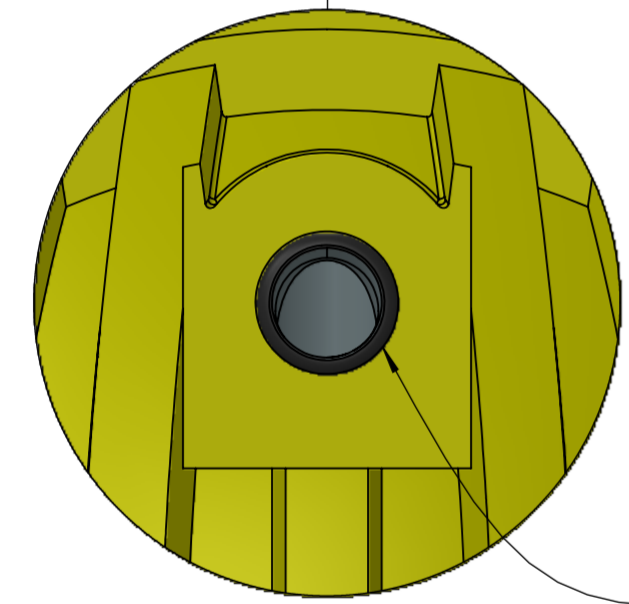
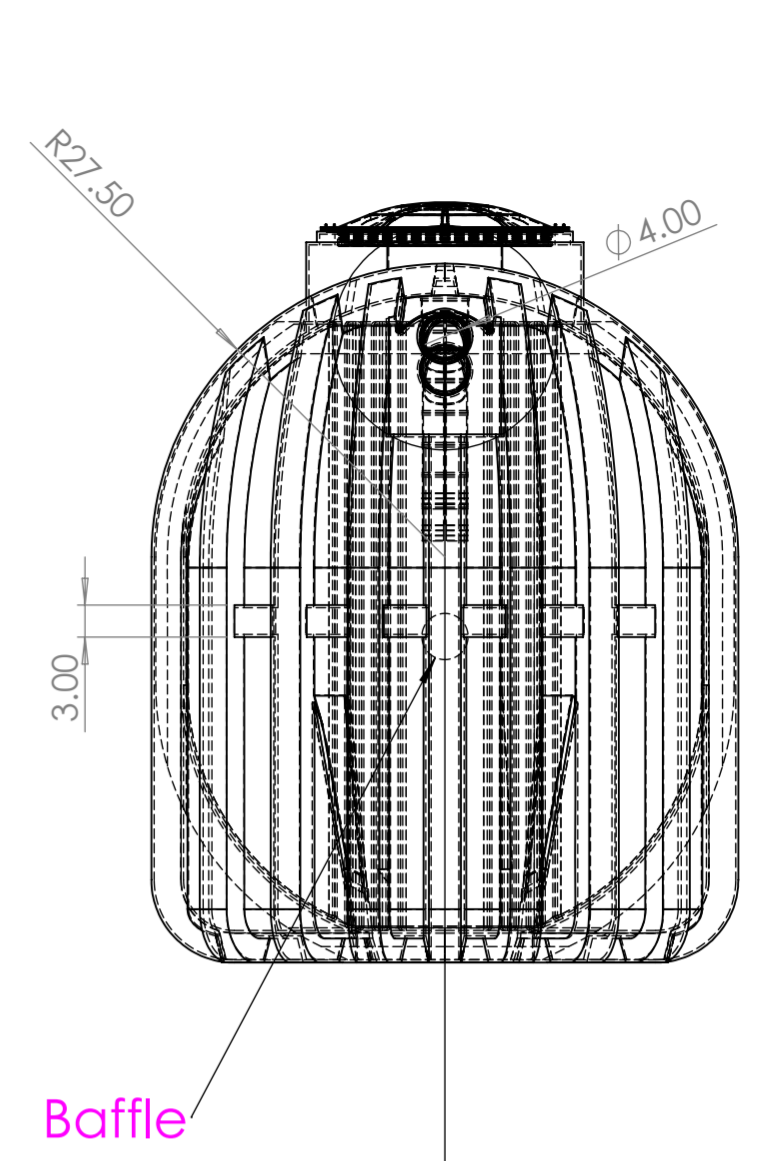
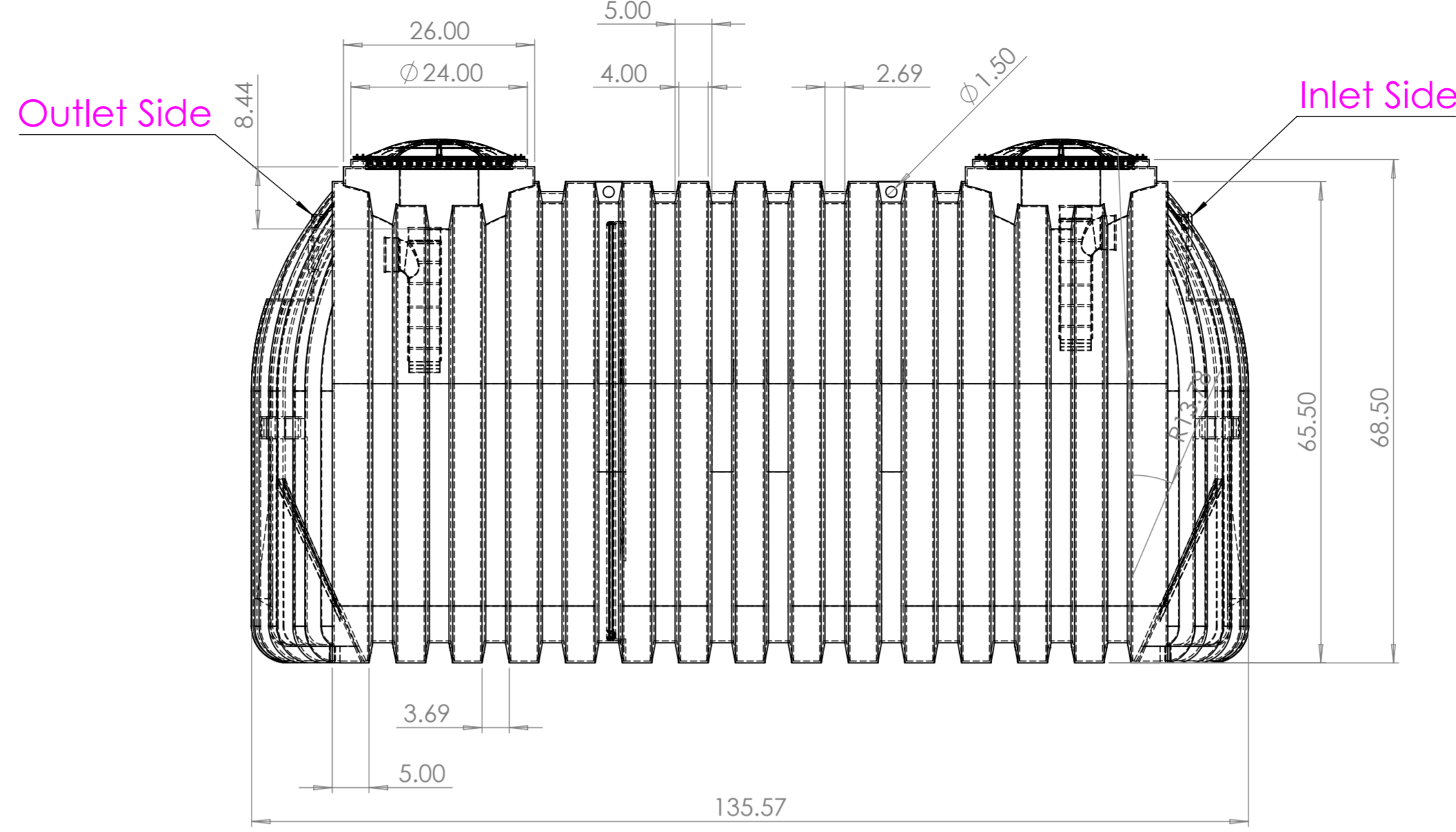
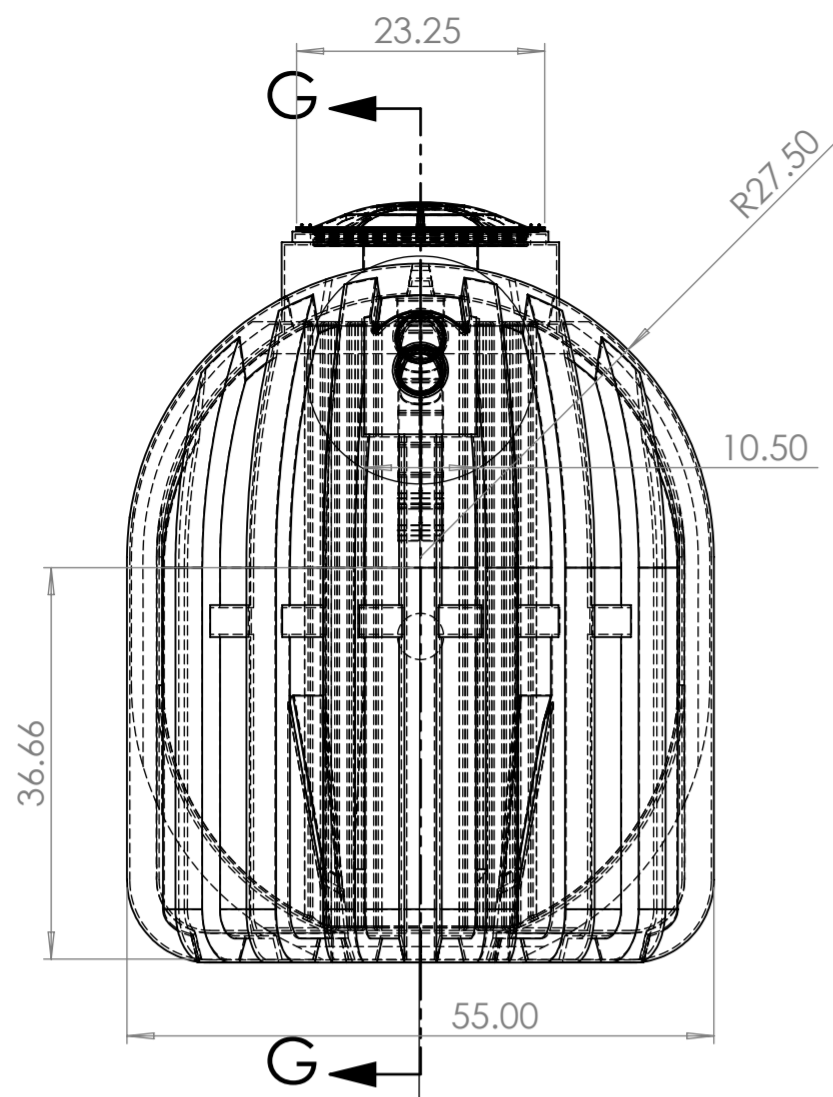
ITEM #	MFGR PART #	DESCRIPTION	QTY
1	87-41760	1500g 2C HDPE Septic Tank	1
2	WTL-001-FM	Tank Adapter Ring	2
3	SPL-BR-004	4 Inch Inlet/Outlet Tee	2
4	85-SPL-ER-G	4 Inch Gasket	2
5	85-SPL-001-L	20" Black Domed Lid; SS Screws	2

UNLESS OTHERWISE SPECIFIED: DIMENSIONS ARE IN MILLIMETERS		FINISH:		DEBURR AND BREAK SHARP EDGES		DO NOT SCALE DRAWING		REVISION	
SURFACE FINISH:									
TOLERANCES:									
LINEAR:									
ANGULAR:									
DRAWN		NAME	SIGNATURE	DATE			TITLE:		
CHKD							87-41760 1500 GALLON TWO COMPARTMENT HDPE SEPTIC TANK		
APPVD							DWG NO.		A2
MFG									
Q.A.									
		MATERIAL:							
		WEIGHT:							
								SCALE:1:20	
								SHEET 2 OF 7	



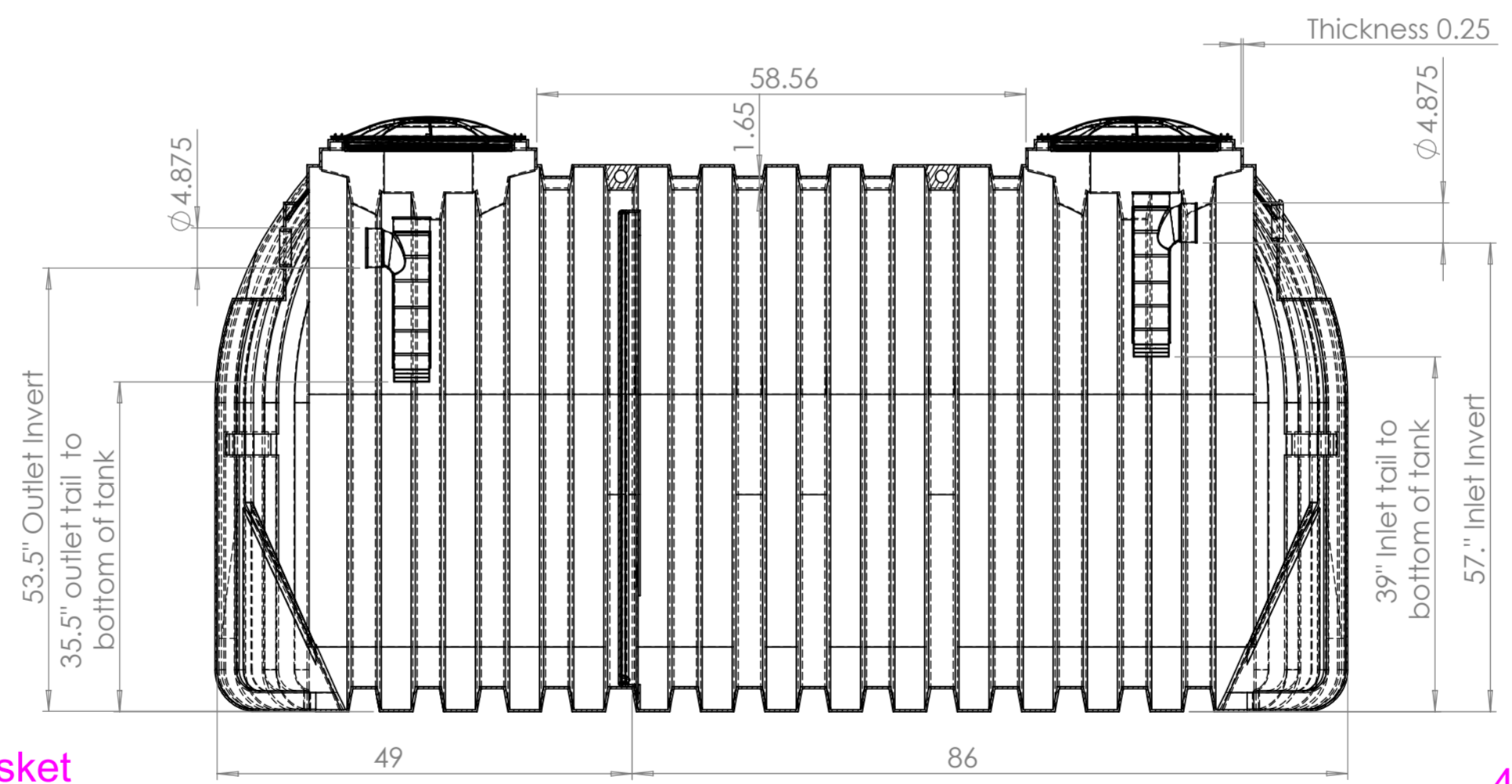
12 11 10 9 8 7 6 5 4 3 2 1

H
G
F
E
D
C
B
A

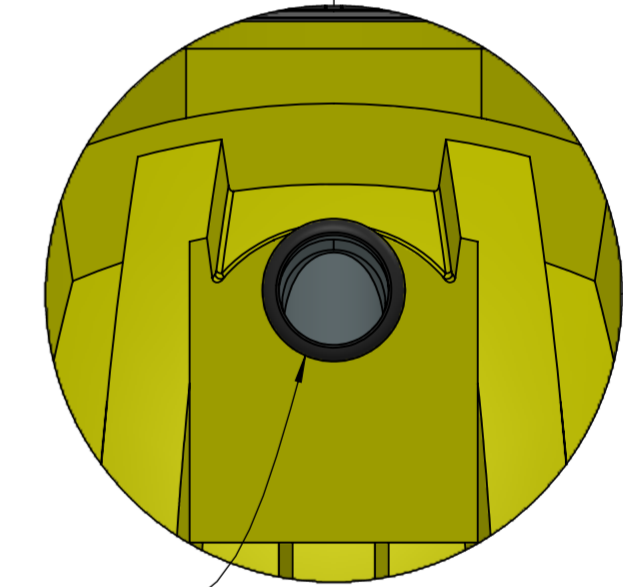


DETAIL K
SCALE 1 : 7

4 " Gasket (Outlet Side)



SECTION G-G
SCALE 1 : 18



4 " Gasket (Inlet Side)

DETAIL J
SCALE 1 : 7

Operating Volume (Gls)
Primary Compartment: 1006
Secondary Compartment: 494

Complies with FDA standards 21 CFR 177.1520 (1) 3.1 and 3.2
3 year limited warranty

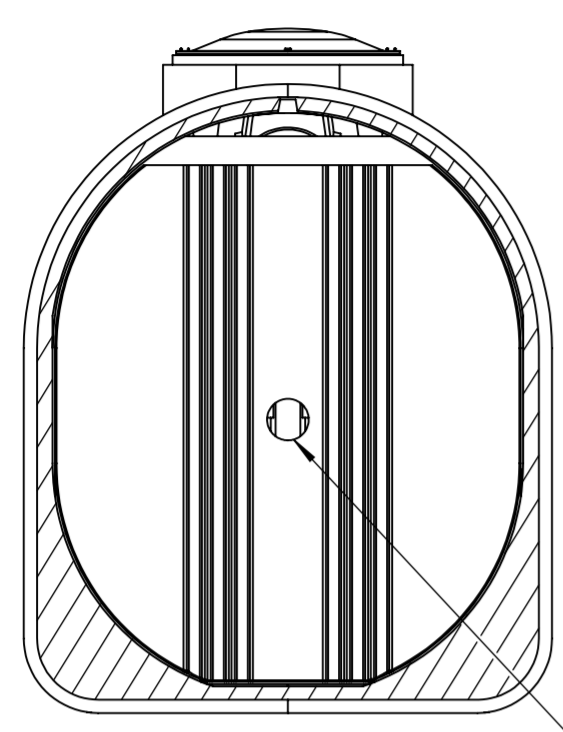
Municipal and County codes may vary from your state approval.
Please make sure you consult with your local sanitation department or plumber on requirements.

UV resistant BPA Free HDPE
Empty weight: 458
Shipping Class: 300
Includes 2 4" tees and gaskets

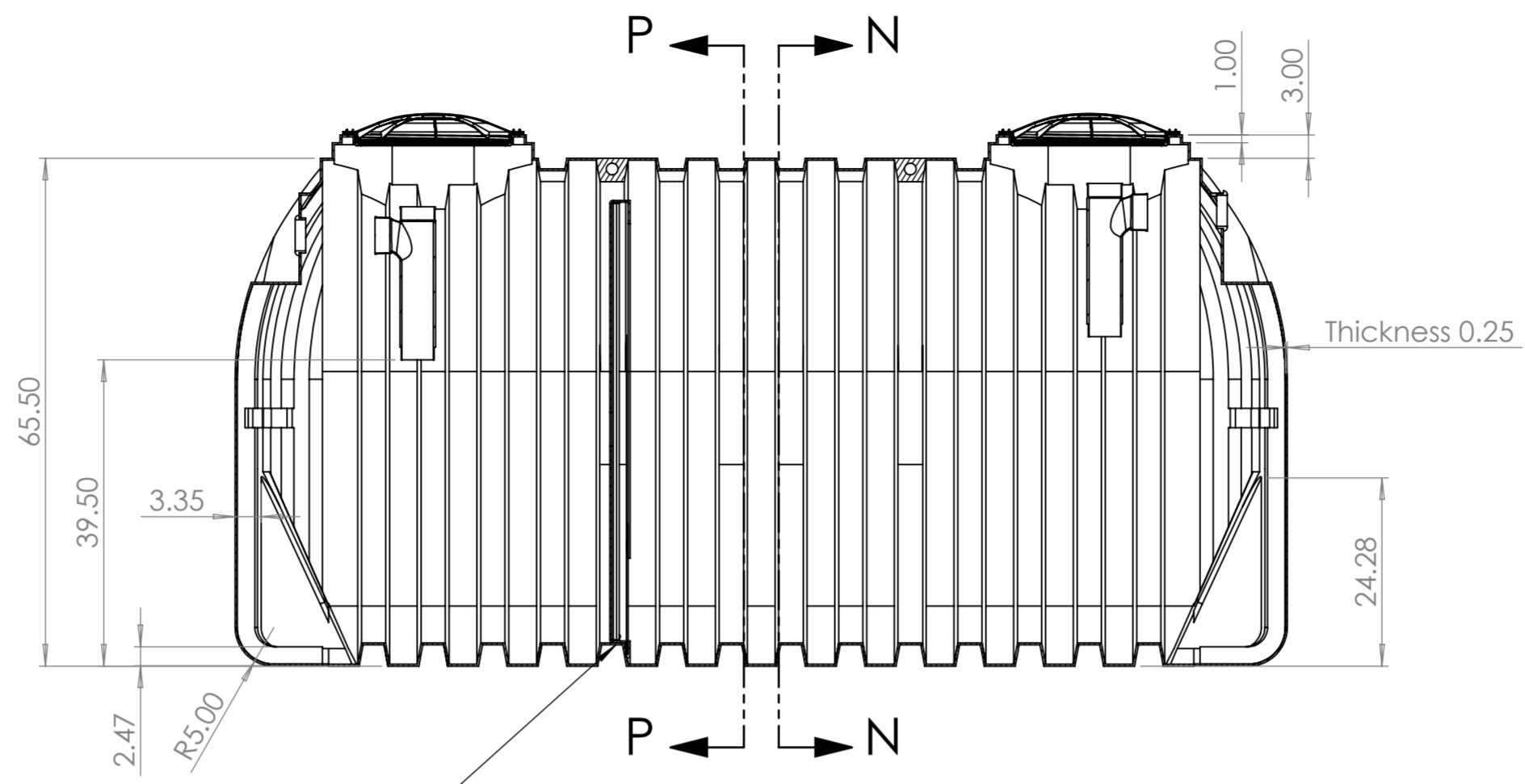


UNLESS OTHERWISE SPECIFIED: DIMENSIONS ARE IN MILLIMETERS			FINISH:			DEBURR AND BREAK SHARP EDGES			DO NOT SCALE DRAWING		REVISION	
SURFACE FINISH:												
TOLERANCES:												
LINEAR:												
ANGULAR:												
DRAWN			NAME			SIGNATURE			DATE			
CHKD												
APPVD												
MFG												
Q.A.												
									TITLE:		87-41760 1500 GALLON TWO COMPARTMENT HDPE SEPTIC TANK	
									DWG. NO.		A2	
									SCALE:1:20		SHEET 3 OF 7	

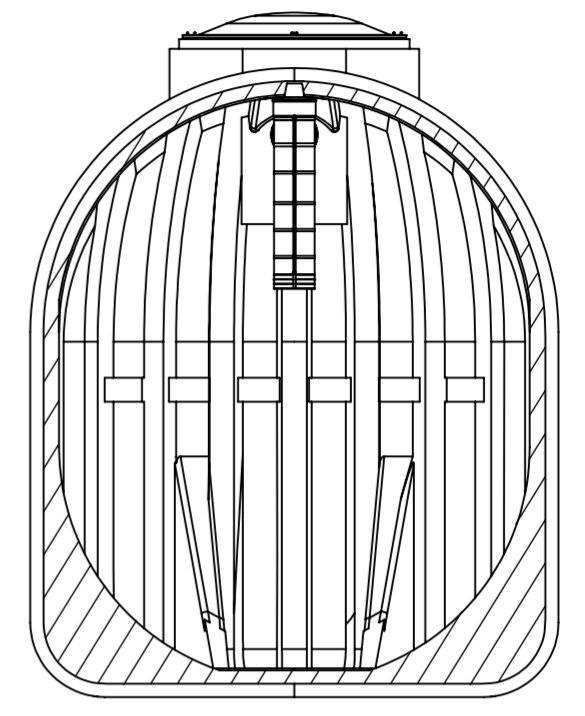
12 11 10 9 8 7 6 5 4 3 2 1



SECTION P-P
Outlet side



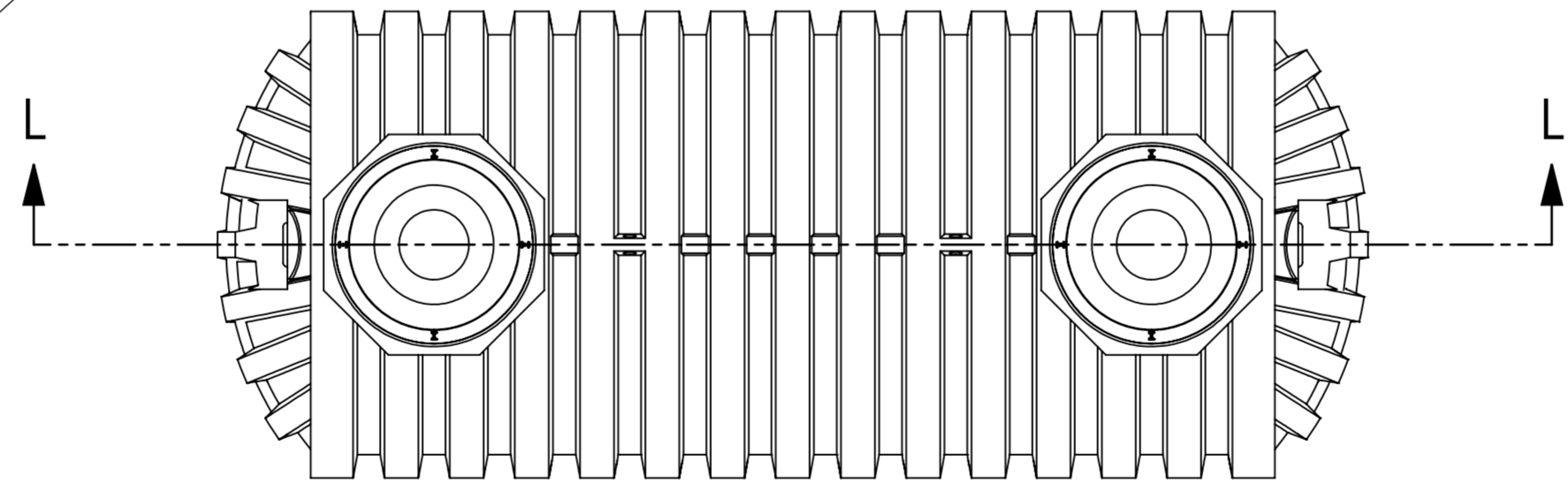
SECTION L-L



SECTION N-N
Inlet side

Baffle 4 inch Dia

Baffle placement:
86" from side wall to baffle on 2/3 (inlet) side;
49" from side wall to baffle on 1/3 (outlet) side.
59.8" tall x 54.3" wide x 2.6" deep.



Operating Volume (Glns)
Primary Compartment: 1006
Secondary Compartment: 494

Complies with FDA standards 21 CFR 177.1520 (1) 3.1 and 3.2
3 year limited warranty

Municipal and County codes may vary from your state approval.
Please make sure you consult with your local sanitation department
or plumber on requirements.

UV resistant BPA Free HDPE
Empty weight: 458
Shipping Class: 300
Includes 2 4" tees and gaskets



UNLESS OTHERWISE SPECIFIED: DIMENSIONS ARE IN MILLIMETERS			FINISH:			DEBURR AND BREAK SHARP EDGES			DO NOT SCALE DRAWING		REVISION
TOLERANCES: LINEAR: ANGULAR:									TITLE: 87-41760 1500 GALLON TWO COMPARTMENT HDPE SEPTIC TANK		
DRAWN	NAME	SIGNATURE	DATE						DWG NO.		A2
CHKD											
APPVD											
MFG											
Q.A.											
MATERIAL:			WEIGHT:			SCALE:1:20			SHEET 4 OF 7		