



STATE OF DELAWARE

**DEPARTMENT OF NATURAL RESOURCES AND
ENVIRONMENTAL CONTROL**

DIVISION OF WATER
RICHARDSON & ROBBINS BUILDING
89 KINGS HIGHWAY
DOVER, DELAWARE 19901

Residential Services
Section

Phone
(302) 739-9947

June 18, 2024

Dave Simon
Product Specialist
28305 Livingston Ave.
Valencia Pipe Company
Valencia, CA 91355

RE: Application for septic tank review/approval

Dear Mr. Simon,

The Division of Water has received and reviewed your request that submitted drawings titled 87-41720 1000 GALLON TWO COMPARTMENT HDPE SEPTIC TANK be approved for use in Delaware. DNREC is pleased to inform you that the above referenced septic tank has been approved for use in Delaware. Installation of the approved tank must be *installed* in accordance with manufacturers guidelines, designers proposed components and specified permit conditions.

As a condition of this approval no substitution of components is allowed without written approval from the design engineer and pre approval from the Department.

If you have any questions, please contact the Department at 302-739-9947.

Sincerely,

James Powell

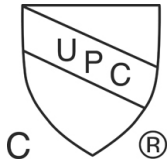
James Powell
Program Manager I, Residential Services Section
Division of Water

IAPMO RESEARCH AND TESTING, INC.

5001 E. Philadelphia Street, Ontario, CA 91761 • Phone (909) 472-4100 • Fax (909) 472-4244 • www.iapmort.org



CERTIFICATE OF LISTING



IAPMO Research and Testing, Inc. is a product certification body in which its product certification system includes inspection and testing of samples taken from the supplier's stock or from the market or a combination of both to verify compliance to the requirements of applicable codes and standards. This activity is coupled with periodic surveillance of the supplier's factory and/or warehouses as well as the assessment of the supplier's Quality Assurance System. This listing is subject to the conditions set forth in the characteristics below and is not to be construed as any recommendation, assurance or guarantee by IAPMO Research and Testing, Inc. of the product acceptance by Authorities Having Jurisdiction.

Issued To:

VALENCIA PIPE COMPANY

28305 LIVINGSTON AVE VALENCIA, CA 91355 , United States

Product:

Prefabricated Septic Tanks

Products are in compliance with the following code(s):

**Uniform Plumbing Code (UPC®)
National Plumbing Code of Canada**

Products are certified to the following standard(s)

IAPMO/ANSI Z1000-2019 and CSA B66-2021

File Number: 16181

Effective Date: April 2024

Void After: April 2029*

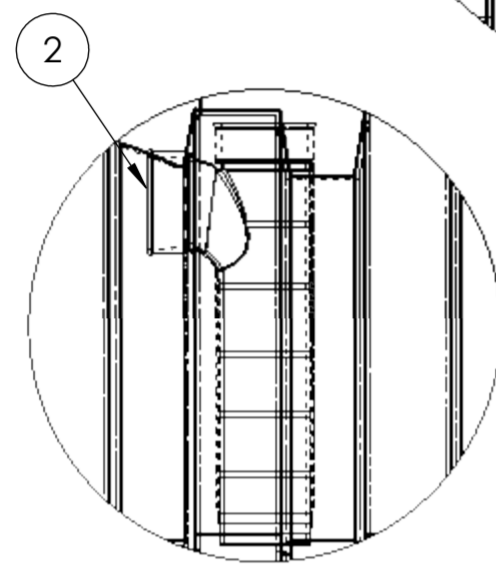
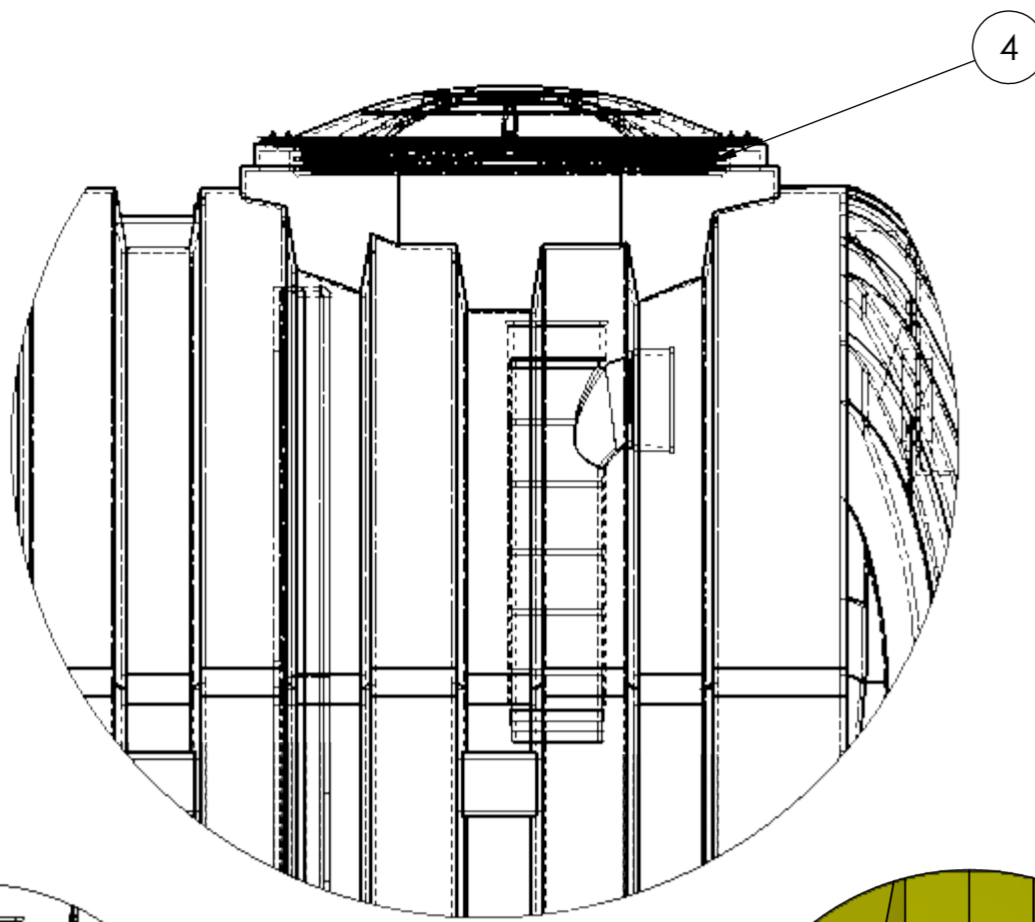

Chairman, Product Certification Committee




Chief Technical Service Officer

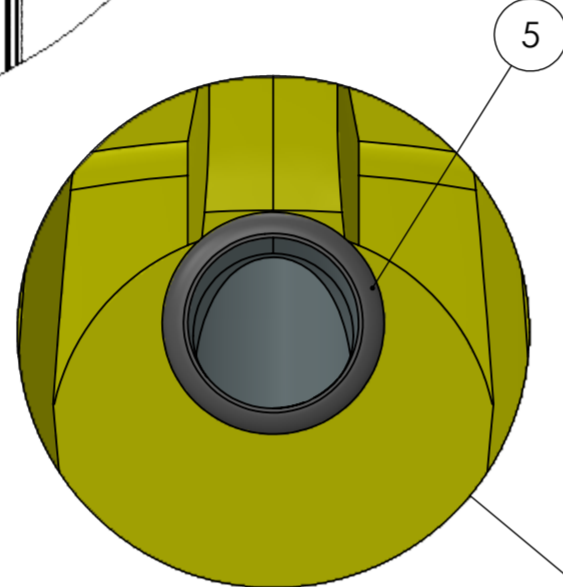
*This certificate is not evidence of current listing. To verify listing status, visit the IAPMO R&T Product Listing Directory at pld.iapmo.org

This listing period is based upon the last date of the month indicated on the Effective Date and Void After Date shown above. Any change in material, manufacturing process, marking or design without having first obtained the approval of the Product Certification Committee, or any evidence of non-compliance with applicable codes and standards or of inferior workmanship, may be deemed sufficient cause for revocation of this listing. Production of or reference to this form for advertising purposes may be made only by specific written permission of IAPMO Research and Testing, Inc. Any alteration of this certificate could be grounds for revocation of the listing. This document shall be reproduced in its entirety.

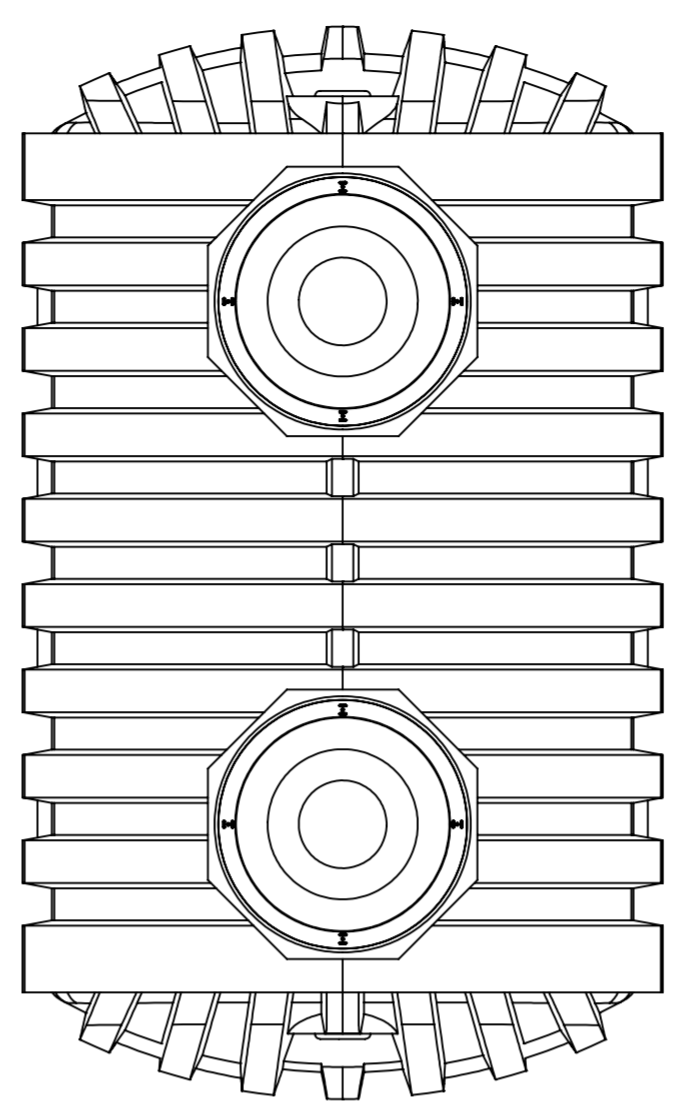


DETAIL H
SCALE 1:9

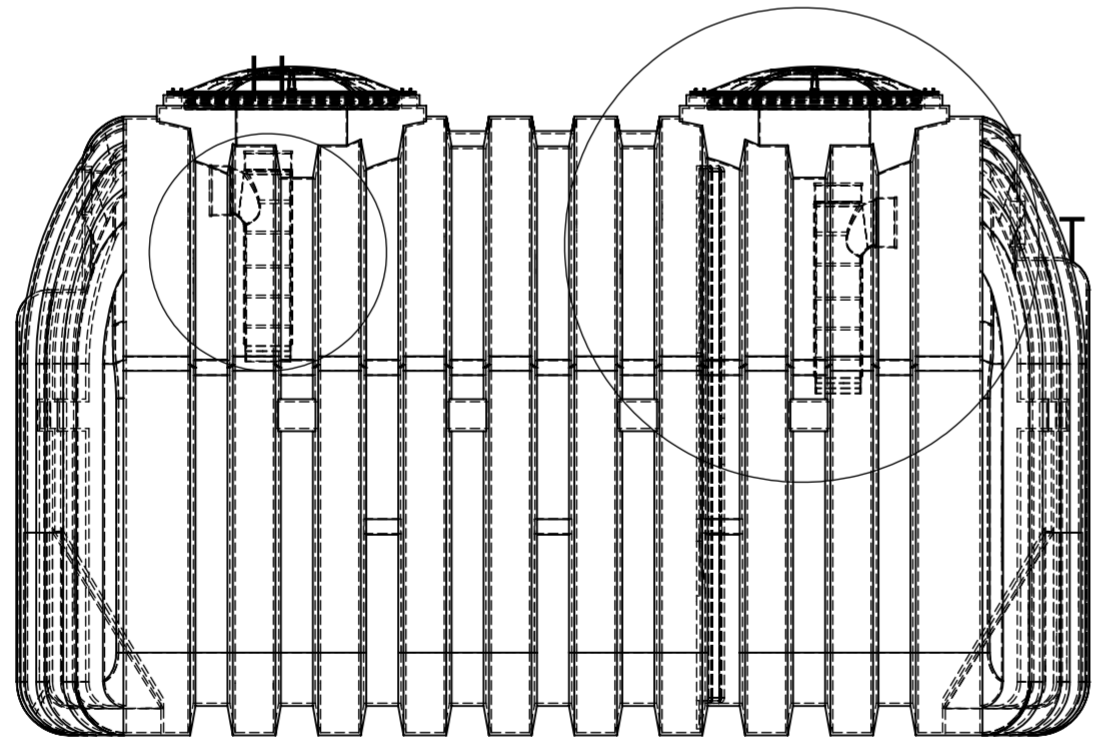
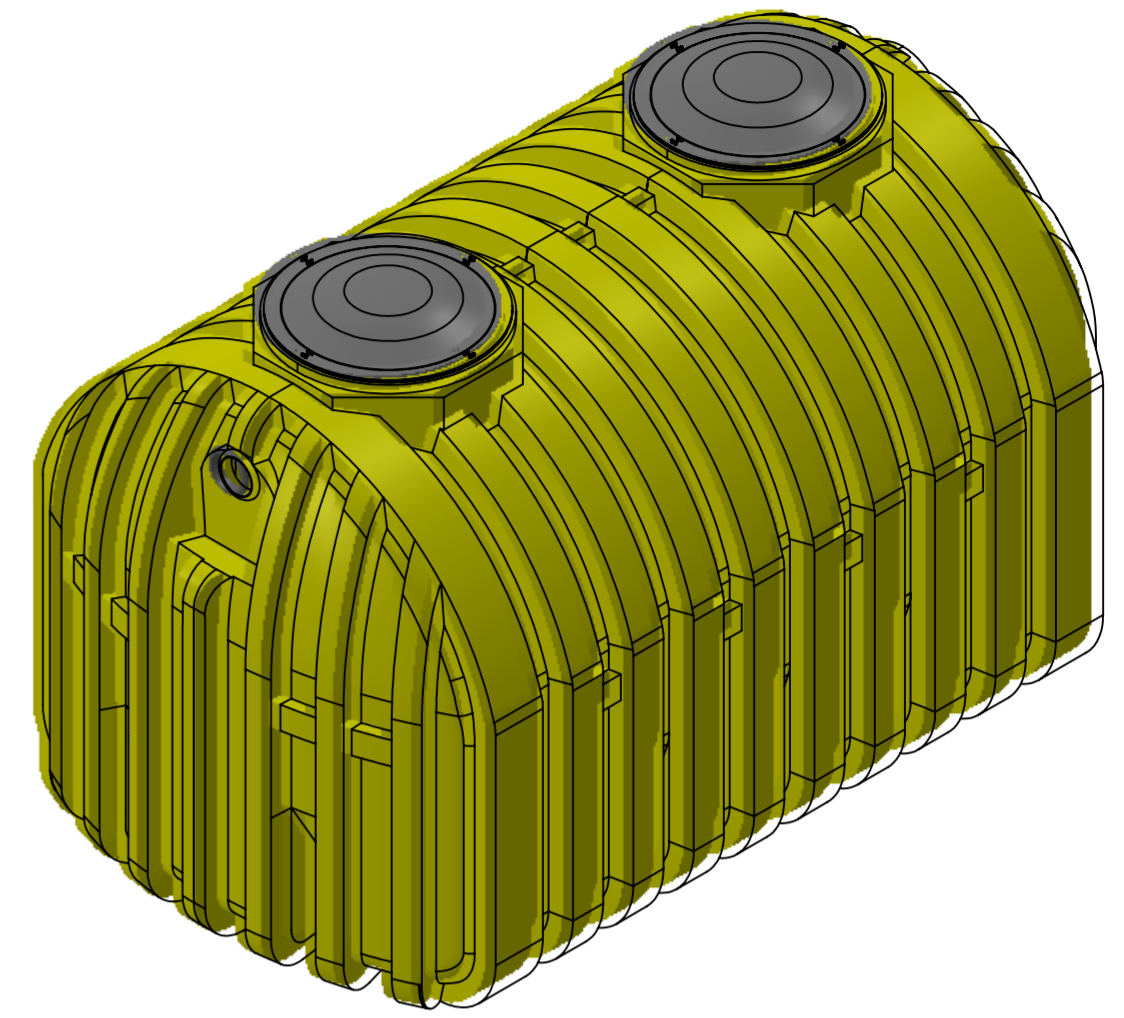
DETAIL T
SCALE 1:9



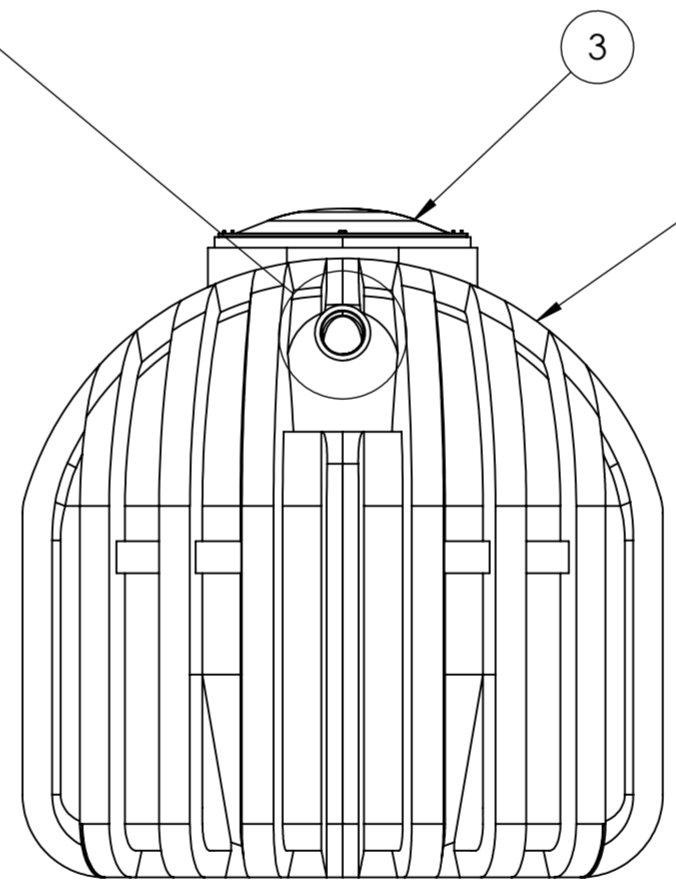
DETAIL R
SCALE 1:4.5



TOP VIEW



VIEW



FRONT VIEW

Operating Volume (Gls)
Primary Compartment: 670
Secondary Compartment: 330

Complies with FDA standards 21 CFR 177.1520 (1) 3.1 and 3.2
3 year limited warranty

Municipal and County codes may vary from your state approval.
Please make sure you consult with your local sanitation department
or plumber on requirements.

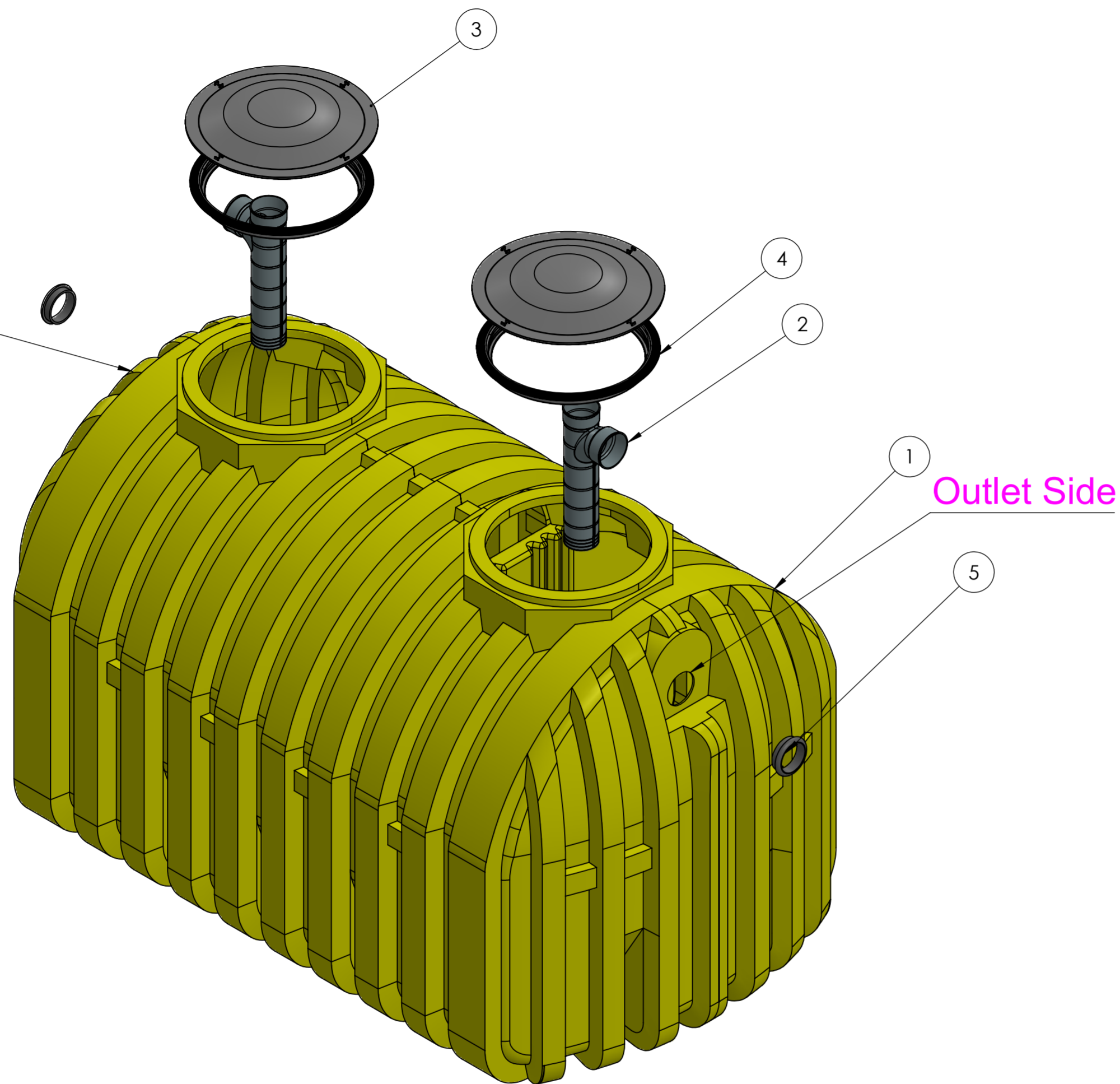
UV resistant BPA Free HDPE
Empty weight: 311
Shipping Class: 300
Includes 2 4" tees and gaskets



| ITEM # | MFGR PART # | DESCRIPTION | QTY |
|--------|--------------|--------------------------------|-----|
| 1 | 87-41720 | 1000g 2C HDPE Septic Tank | 1 |
| 2 | SPL-BR-004 | 4 Inch Inlet/Outlet Tee | 2 |
| 3 | 85-SPL-001-L | 20" Black Domed Lid; SS Screws | 2 |
| 4 | WTL-001-FM | Tank Adapter Ring | 2 |
| 5 | 85-SPL-ER-G | 4 Inch Gasket | 2 |

| | | | | | | | | | |
|--|------|-----------|------|------------------------------------|--|----------------------|--|---|--|
| UNLESS OTHERWISE SPECIFIED: DIMENSIONS ARE IN MILLIMETERS | | FINISH: | | DEBURR AND BREAK SHARP EDGES | | DO NOT SCALE DRAWING | | REVISION | |
| SURFACE FINISH: | | | | | | | | | |
| TOLERANCES: | | | | | | | | | |
| LINEAR: | | | | | | | | | |
| ANGULAR: | | | | | | | | | |
| DRAWN | NAME | SIGNATURE | DATE | | | TITLE: | | 87-41720 1000 GALLON TWO COMPARTMENT HDPE SEPTIC TANK | |
| CHK'D | | | | | | DWG NO.: | | A2 | |
| APP'VD | | | | | | SCALE:1:18 | | SHEET 1 OF 7 | |
| MFG | | | | | | WEIGHT: | | | |
| Q.A. | | | | | | | | | |

Inlet Side



Outlet Side

Exploded View

Operating Volume (Gls)
 Primary Compartment: 670
 Secondary Compartment: 330

Complies with FDA standards 21 CFR 177.1520 (1) 3.1 and 3.2
 3 year limited warranty

Municipal and County codes may vary from your state approval.
 Please make sure you consult with your local sanitation department
 or plumber on requirements.

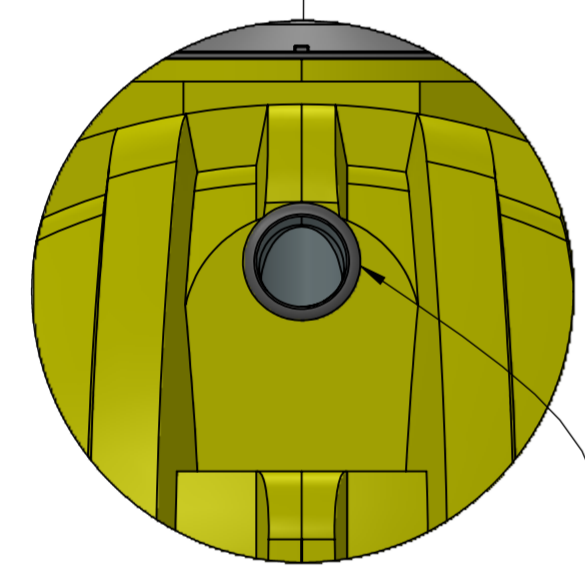
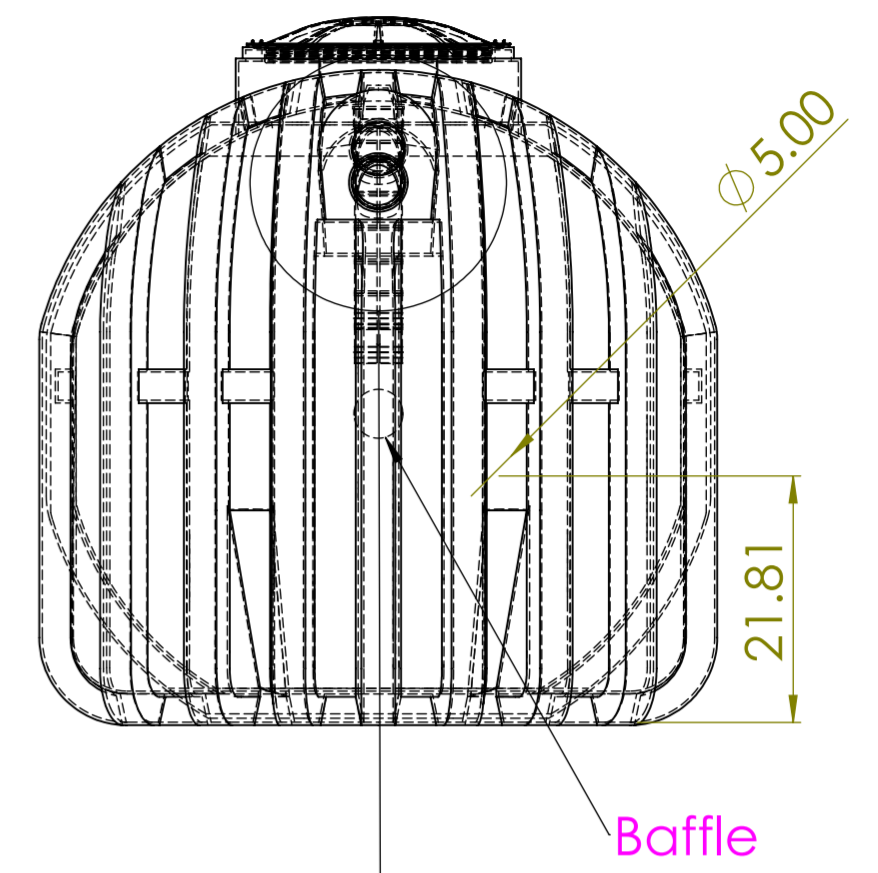
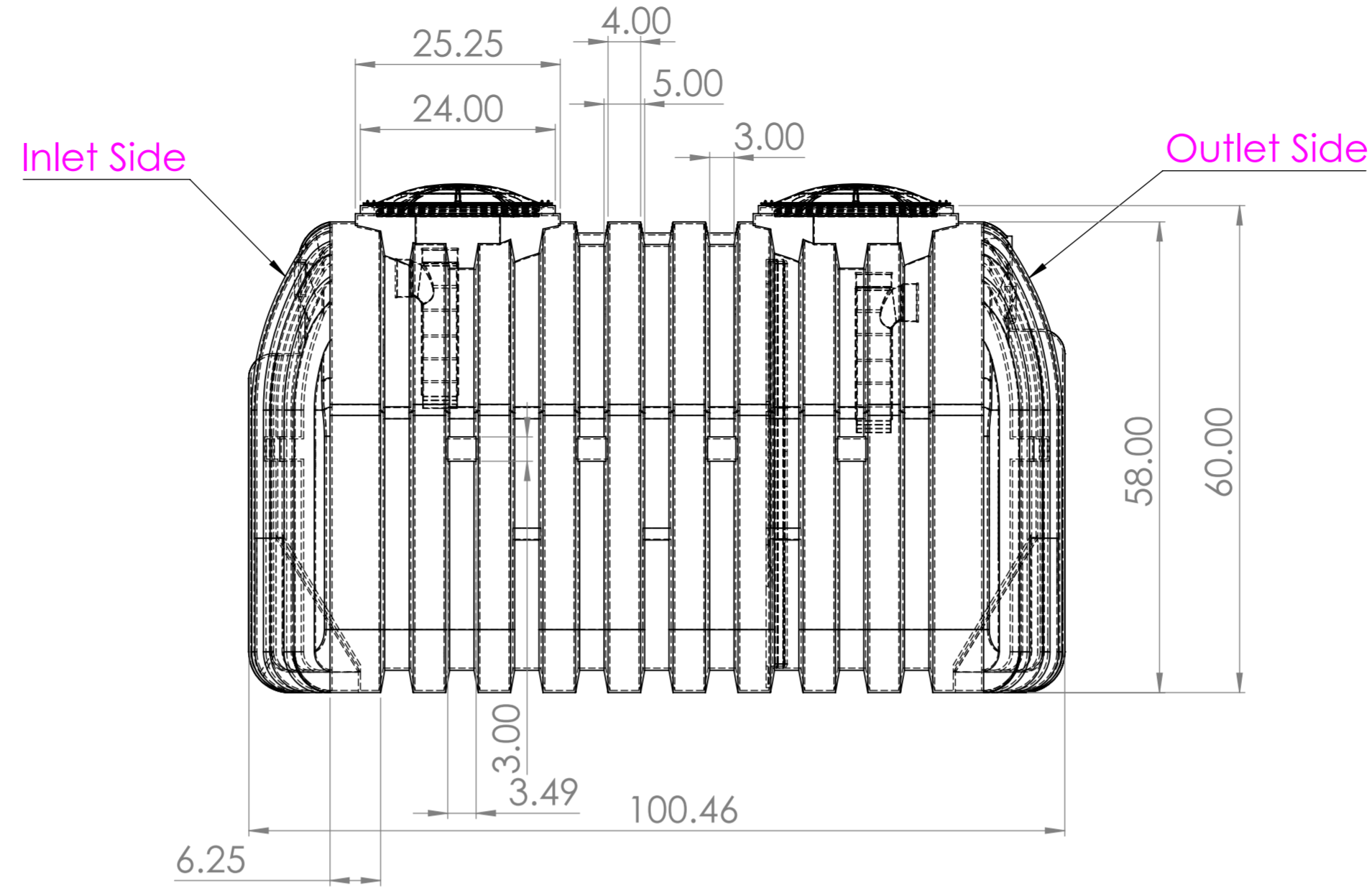
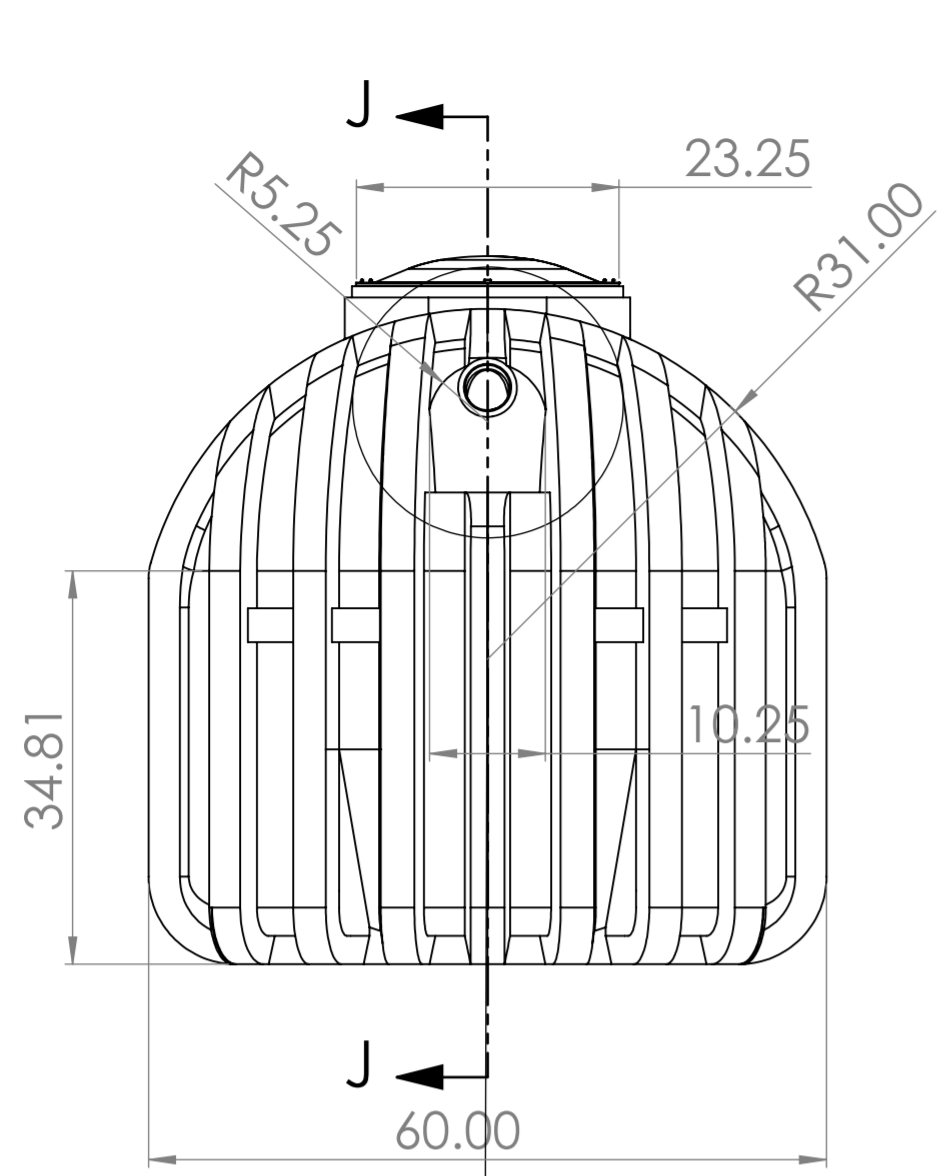
UV resistant BPA Free HDPE
 Empty weight: 311
 Shipping Class: 300
 Includes 2 4" tees and gaskets



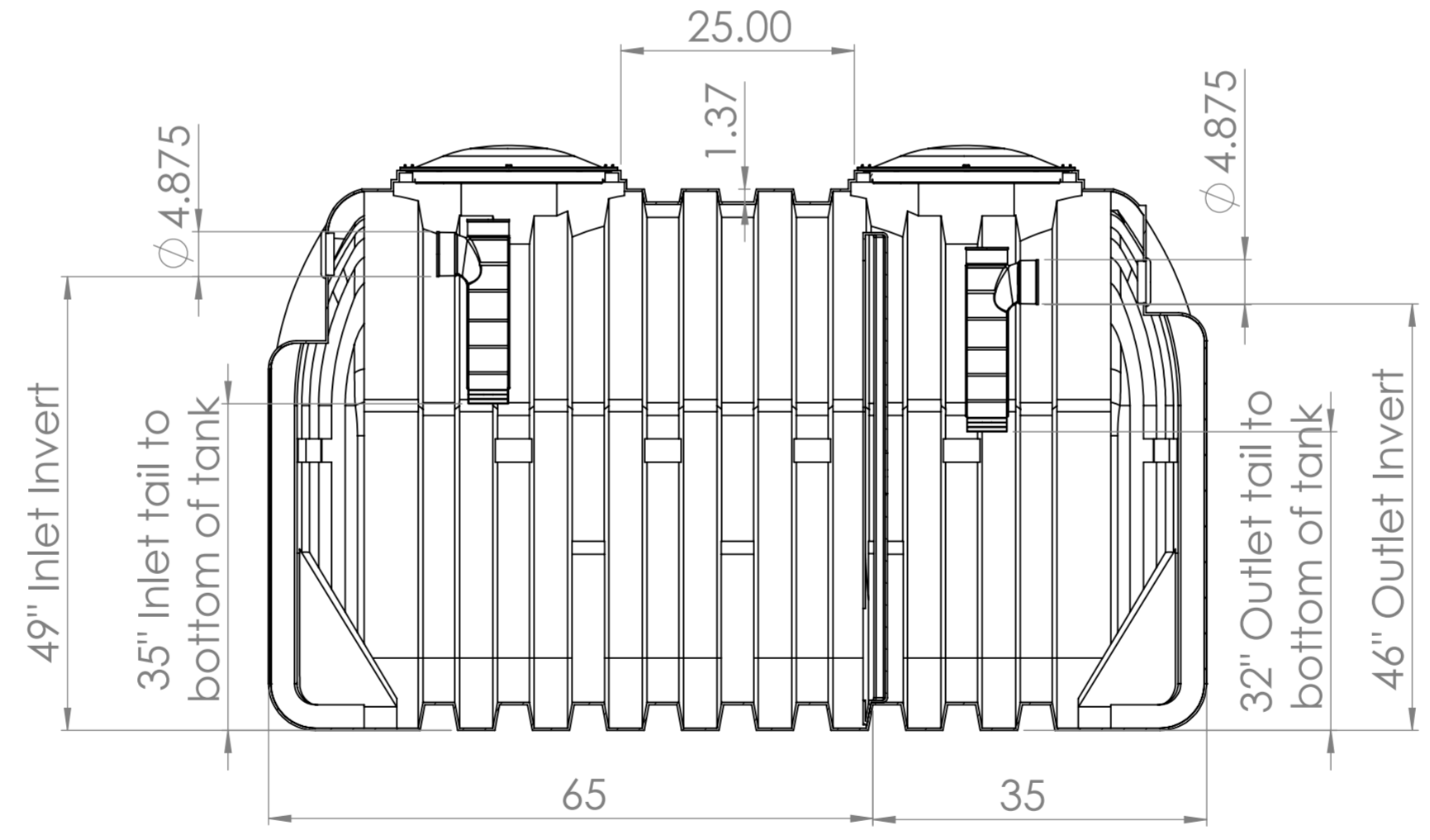
| ITEM # | MFGR PART # | DESCRIPTION | QTY |
|--------|--------------|--------------------------------|-----|
| 1 | 87-41720 | 1000g 2C HDPE Septic Tank | 1 |
| 2 | SPL-BR-004 | 4 Inch Inlet/Outlet Tee | 2 |
| 3 | 85-SPL-001-L | 20" Black Domed Lid; SS Screws | 2 |
| 4 | WTL-001-FM | Tank Adapter Ring | 2 |
| 5 | 85-SPL-ER-G | 4 Inch Gasket | 2 |

| | | | | | | | | | |
|--|------|-------------|------|------------------------------------|--|----------------------|--|---|--|
| UNLESS OTHERWISE SPECIFIED: DIMENSIONS ARE IN MILLIMETERS | | FINISH: | | DEBURR AND BREAK SHARP EDGES | | DO NOT SCALE DRAWING | | REVISION | |
| SURFACE FINISH: | | TOLERANCES: | | LINEAR: | | ANGULAR: | | TITLE: 87-41720 1000 GALLON TWO COMPARTMENT HDPE SEPTIC TANK | |
| DRAWN | NAME | SIGNATURE | DATE | MATERIAL: 098232 | | DWG NO. | | A2 | |
| CHKD | | | | WEIGHT: | | SCALE:1:13 | | SHEET 2 OF 7 | |
| APPVD | | | | | | | | | |
| MFG | | | | | | | | | |
| Q.A. | | | | | | | | | |

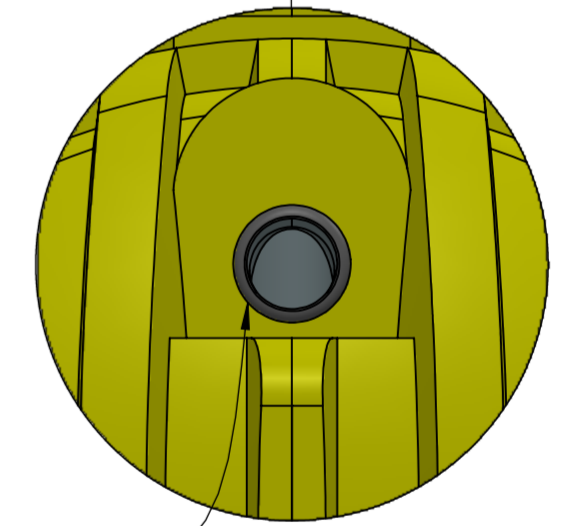




DETAIL W
SCALE 2 : 17



SECTION J-J
SCALE 1 : 17



DETAIL AA
SCALE 2 : 17

Operating Volume (Glns)
Primary Compartment: 670
Secondary Compartment: 330

Complies with FDA standards 21 CFR 177.1520 (1) 3.1 and 3.2
3 year limited warranty

Municipal and County codes may vary from your state approval.
Please make sure you consult with your local sanitation department
or plumber on requirements.

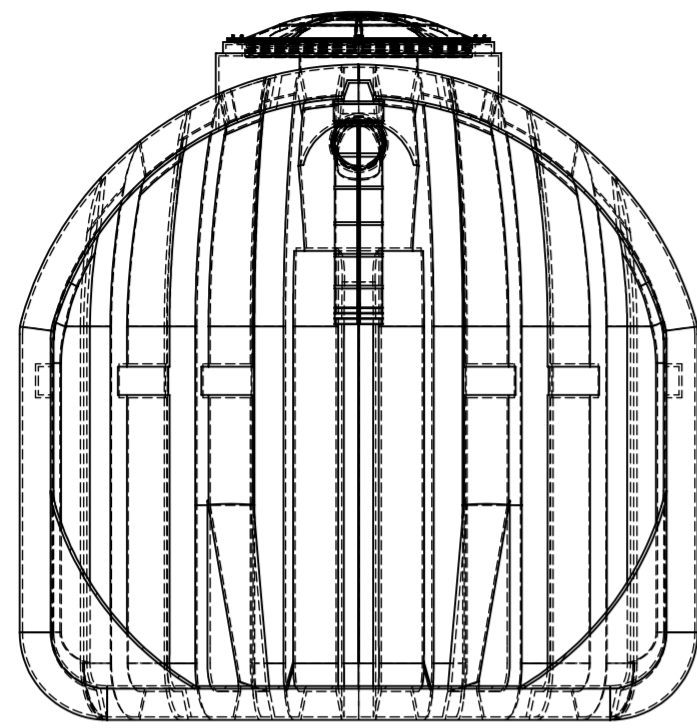
4" Gasket
(Inlet Side)

4" Gasket
(Outlet Side)

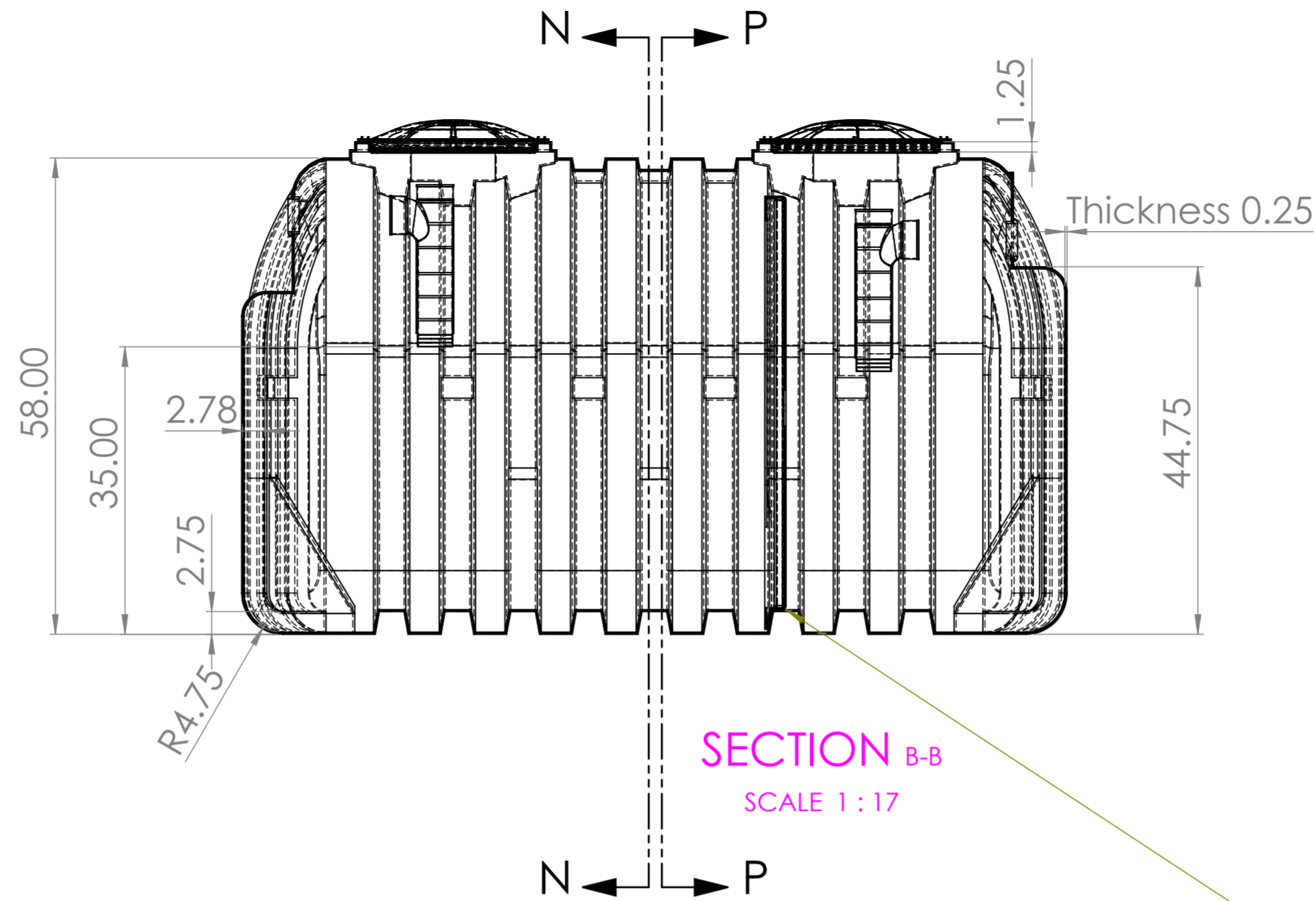
UV resistant BPA Free HDPE
Empty weight: 311
Shipping Class: 300
Includes 2 4" tees and gaskets



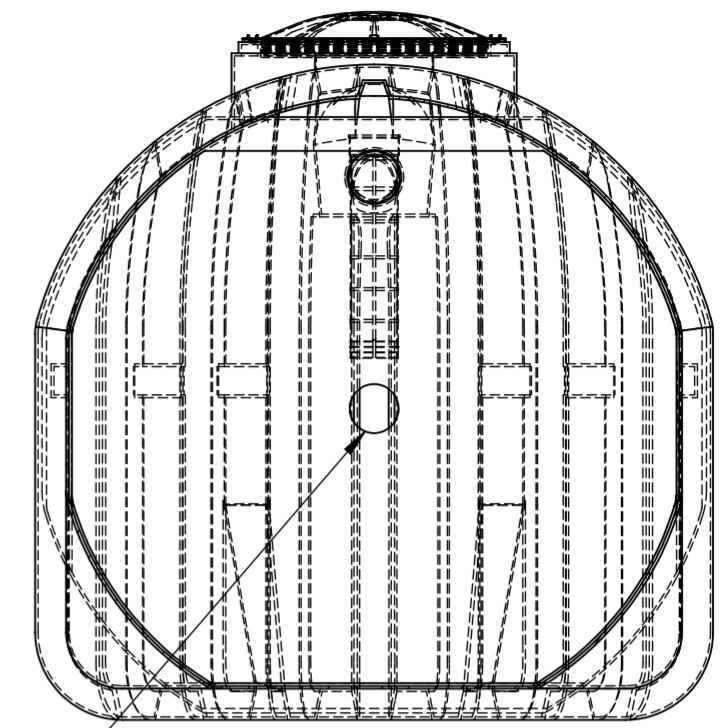
| | | | | | | |
|---|-----------|------|---------|---|----------------------|----------|
| UNLESS OTHERWISE SPECIFIED: DIMENSIONS ARE IN MILLIMETERS SURFACE FINISH: TOLERANCES: LINEAR: ANGULAR: | | | FINISH: | DEBURR AND BREAK SHARP EDGES | DO NOT SCALE DRAWING | REVISION |
| DRAWN | | | | TITLE: | | |
| CHKD | | | | 87-41720 1000 GALLON TWO COMPARTMENT HDPE SEPTIC TANK | | |
| APPVD | | | | DWG. NO. | | |
| MFG | | | | SCALE: 1:17 | | |
| Q.A. | | | | SHEET 3 OF 7 | | |
| NAME | SIGNATURE | DATE | WEIGHT: | | A2 | |



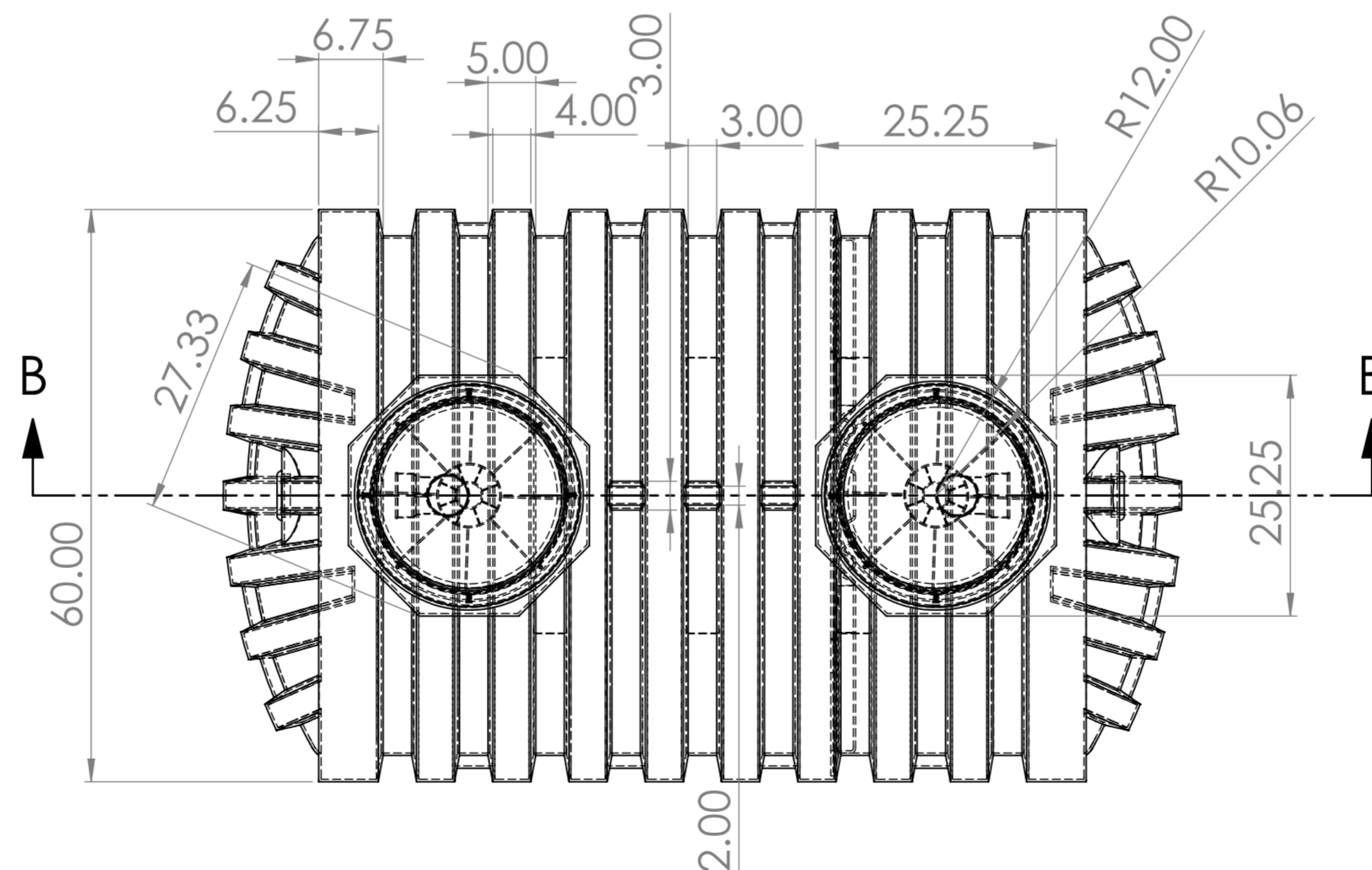
SECTION N-N
SCALE 1:17
Inlet side



SECTION B-B
SCALE 1:17



SECTION P-P
SCALE 1:17
Outlet side



Baffle

Baffle placement:
65" from side wall to
baffle on 2/3 (inlet) side;
35" from side wall to
baffle on 1/3 (outlet)
side. 53.1" tall x 59.3"
wide x 2.6" deep.

Operating Volume (Gls)
Primary Compartment: 670
Secondary Compartment: 330

Complies with FDA standards 21 CFR 177.1520 (1) 3.1 and 3.2
3 year limited warranty

Municipal and County codes may vary from your state approval.
Please make sure you consult with your local sanitation department
or plumber on requirements.

UV resistant BPA Free HDPE
Empty weight: 311
Shipping Class: 300
Includes 2 4" tees and gaskets



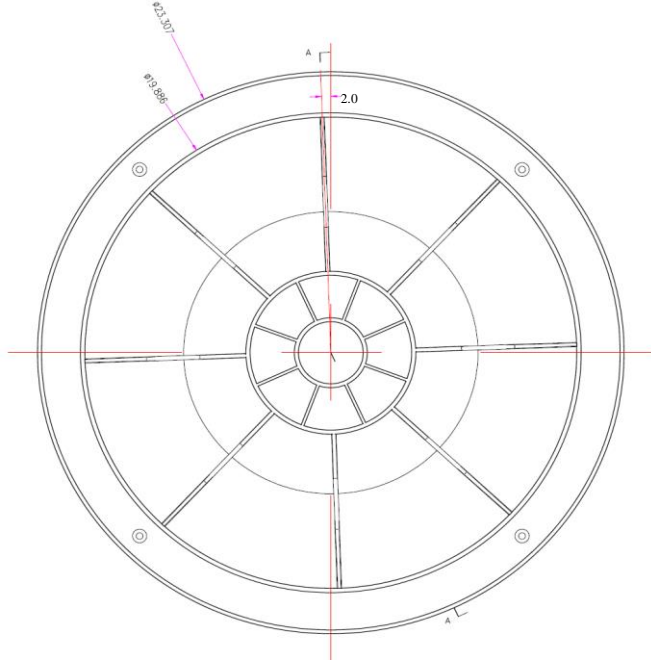
| | | | | | | | | | | | | |
|--|------|-----------|---------|--|--|------------------------------------|--|--|---|--|----------|--------------|
| UNLESS OTHERWISE SPECIFIED: DIMENSIONS ARE IN MILLIMETERS | | | FINISH: | | | DEBURR AND BREAK SHARP EDGES | | | DO NOT SCALE DRAWING | | REVISION | |
| TOLERANCES: LINEAR: ANGULAR: | | | | | | | | | | | | |
| DRAWN | NAME | SIGNATURE | DATE | | | | | | TITLE: 87-41720 1000 GALLON TWO COMPARTMENT HDPE SEPTIC TANK | | | |
| CHKD | | | | | | | | | DWG NO. | | | A2 |
| APPVD | | | | | | | | | SCALE:1:17 | | | SHEET 4 OF 7 |
| MFG | | | | | | | | | | | | |
| Q.A. | | | | | | | | | | | | |
| | | | | | | | | | | | | |



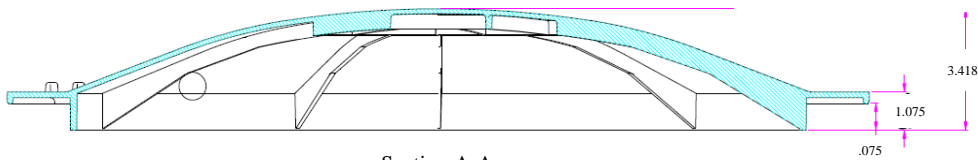
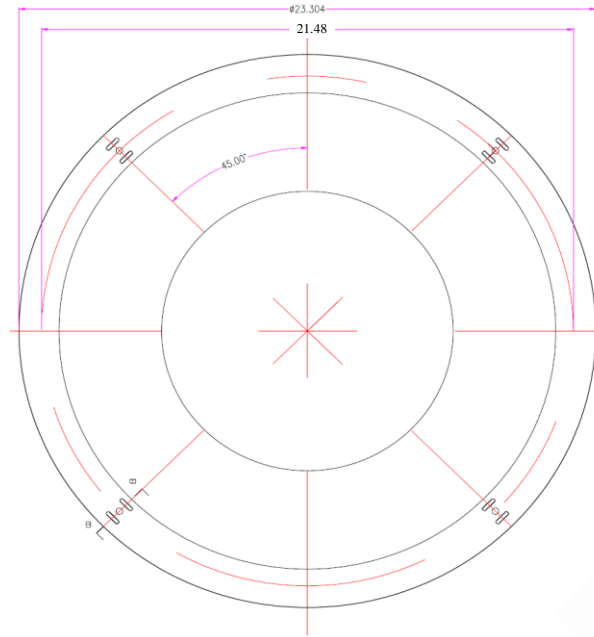


Valencia Pipe Company
 20" Domed Septic Tank Lid Assembly
 Model # SPL-001-L

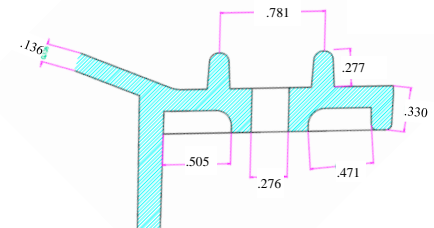
Top View



Bottom View



Section A-A
 Side View



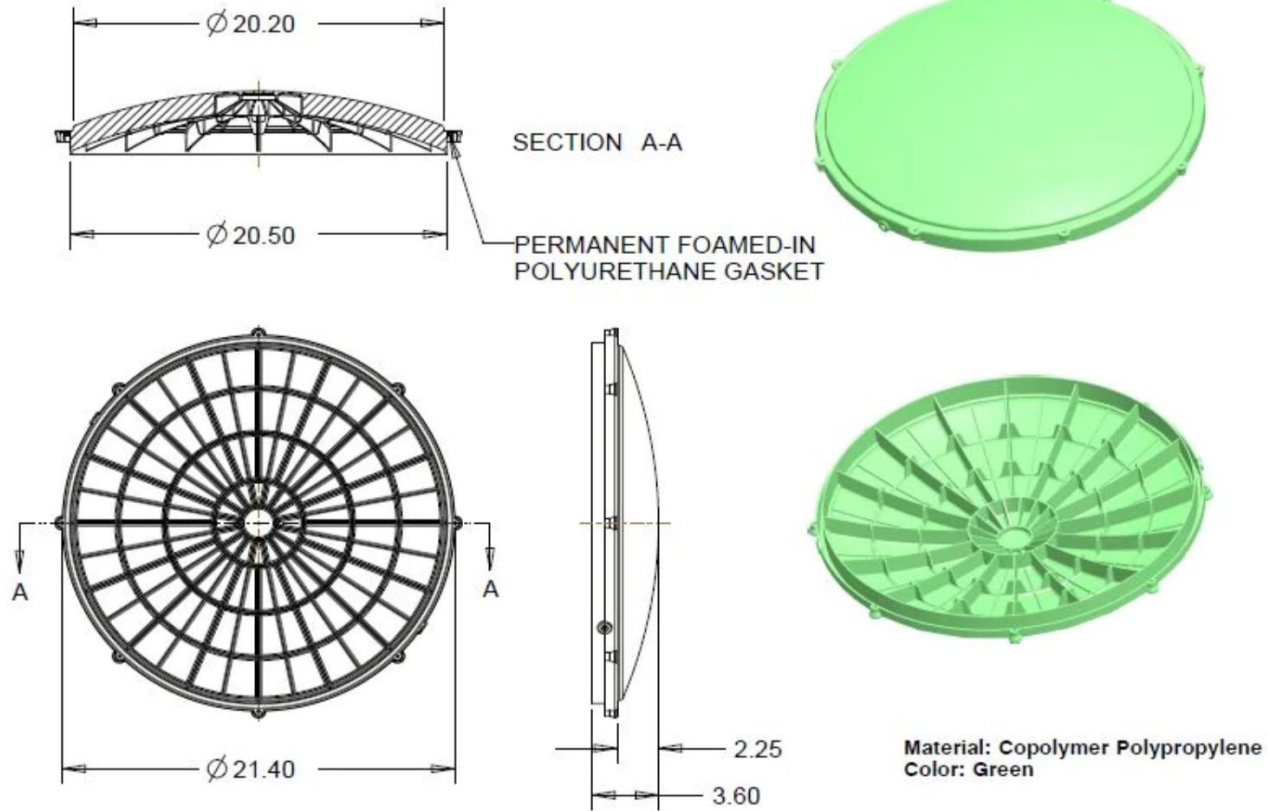
Section B-B
 Edge Cross Section

| Item # | Mfgr Part # | Description | Qty |
|--------|-------------|-------------|-----|
| 1 | SPL-001 | Black lid | 1 |

| | | | | | | |
|--|---------|-----------|------|--|----------------------|---------------|
| UNLESS OTHERWISE SPECIFIED: DIMENSIONS ARE IN INCHES SURFACE FINISH: TOLERANCES: LINEAR: ANGULAR: | FINISH: | | | DEBURR AND BREAK SHARP EDGES | DO NOT SCALE DRAWING | REVISION |
| | | | | | | |
| | NAME | SIGNATURE | DATE | TITLE: | | |
| DRAWN | | | | | | |
| CHKD | | | | | | |
| APPV'D | | | | | | |
| MFG | | | | MATERIAL: High Density Polyethylene (HDPE) | | |
| QA | | | | WEIGHT: 2 lbs. | SCALE: | SHEET: 1 OF 1 |



Valencia Pipe Company
 20" Green Domed Septic Tank Lid
 Model # 89-RISL-GRN

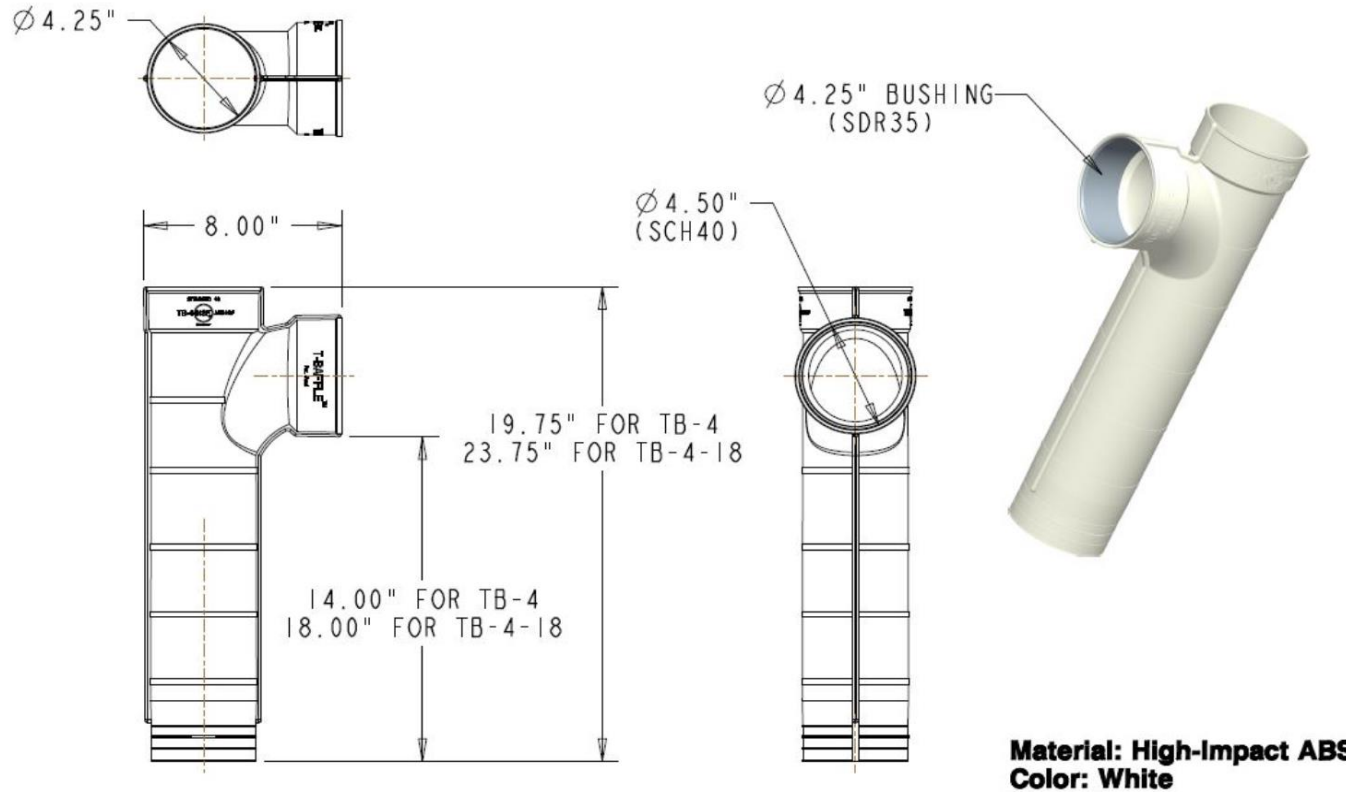


| Item # | Mfgr Part # | Description | Qty |
|--------|-------------|------------------------|-----|
| 1 | 89-RISL-GRN | Tuf Tite 20" Domed Lid | 1 |

| | | | | | | |
|--|----------|-----------|------------|------------------------------------|----------------------|---------------|
| UNLESS OTHERWISE SPECIFIED: DIMENSIONS ARE IN INCHES SURFACE FINISH: TOLERANCES: LINEAR: ANGULAR: | FINISH: | | | DEBURR AND BREAK SHARP EDGES | DO NOT SCALE DRAWING | REVISION |
| | | | | | | |
| | NAME | SIGNATURE | DATE | TITLE: | | |
| DRAWN | Tuf-Tite | | | | | |
| CHKD | D. Simon | | April 2024 | | | |
| APPV'D | | | | | | |
| MFG | | | | MATERIAL: Copolymer Polypropylene | | |
| QA | | | | WEIGHT: 3.5 lbs. | SCALE: | SHEET: 1 OF 1 |



Valencia Pipe Company
 4" Baffle Tee
 Model # SPL-ER-004



Material: High-Impact ABS
Color: White

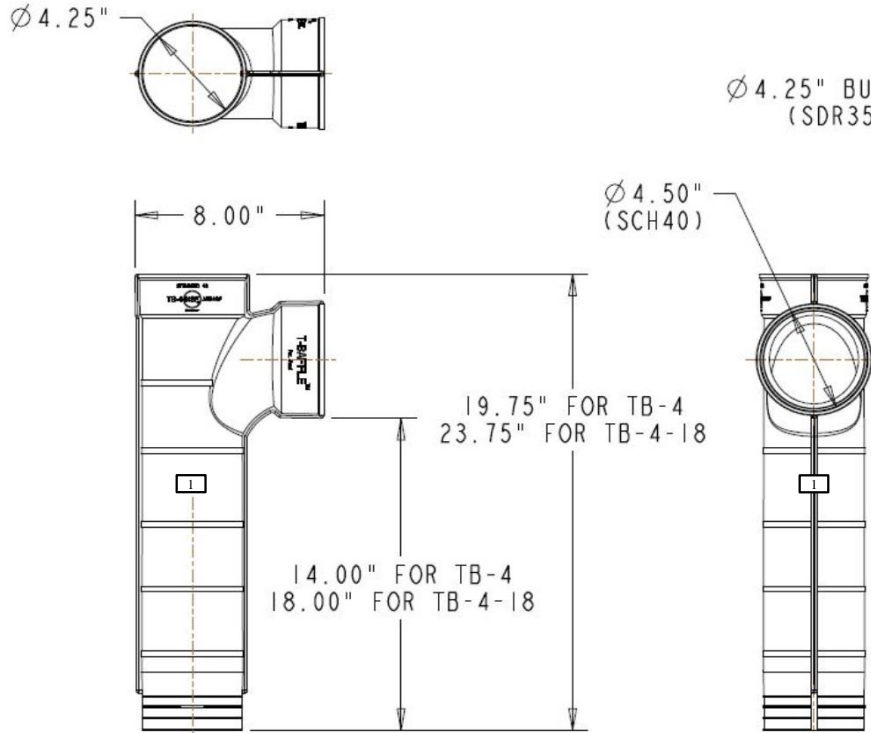
| Item # | Mfgr Part # | Description | Qty |
|--------|-------------|----------------------------------|-----|
| 1 | SPL-ER-004 | 4" white ABS ANSI/NSF baffle tee | 1 |

| | | | | | | |
|--|----------|-----------|------------|------------------------------------|----------------------|---------------|
| UNLESS OTHERWISE SPECIFIED: DIMENSIONS ARE IN INCHES SURFACE FINISH: TOLERANCES: LINEAR: ANGULAR: | FINISH: | | | DEBURR AND BREAK SHARP EDGES | DO NOT SCALE DRAWING | REVISION |
| | | | | | | |
| | NAME | SIGNATURE | DATE | TITLE: | | |
| DRAWN | Tuf-Tite | | | | | |
| CHKD | D. Simon | | April 2024 | | | |
| APPV'D | | | | | | |
| MFG | | | | MATERIAL: | | |
| QA | | | | WEIGHT: 1 lb 3 oz | SCALE: | SHEET: 1 OF 1 |



Valencia Pipe Company
4" Baffle Tee
Model # 89-EF4COMBO

1



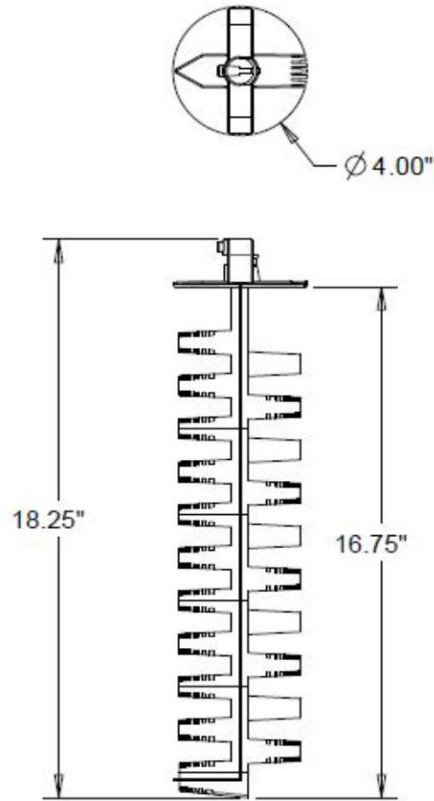
Material: High-Impact ABS
Color: White

| Item # | Mfgr Part # | Description | Qty |
|--------|-------------|------------------------------------|-----|
| 1 | 89-EF4 | 4" white ABS ANSI/NSF baffle tee | 1 |
| 2 | 89-B4035 | Sch 40 to SDR-35 Bushing | 1 |
| 3 | SPL-ER-G | 4" black rubber gasket | 1 |
| 4 | 89-EF4 | 4" Yellow Effluent Filter | 1 |
| 5 | 89-SD4 | 4" White PVC Solid Waste Deflector | 1 |

| | | | | | | | | |
|--|----------|-----------|------------|------------------------------------|----------------------|--------|----------|---------------|
| UNLESS OTHERWISE SPECIFIED: DIMENSIONS ARE IN INCHES SURFACE FINISH: TOLERANCES: LINEAR: ANGULAR: | FINISH: | | | DEBURR AND BREAK SHARP EDGES | DO NOT SCALE DRAWING | | REVISION | |
| | TITLE: | | | | | | | |
| DRAWN | NAME | SIGNATURE | DATE | | | | | |
| CHKD | Tuf-Tite | | April 2024 | | | | | |
| APPV'D | D. Simon | | | | | | | |
| MFG | | | | MATERIAL: | | | | |
| QA | | | | WEIGHT: 4.04 lbs | | SCALE: | | SHEET: 1 OF 1 |



Valencia Pipe Company
 4" Effluent Filter
 Model 89-EF4



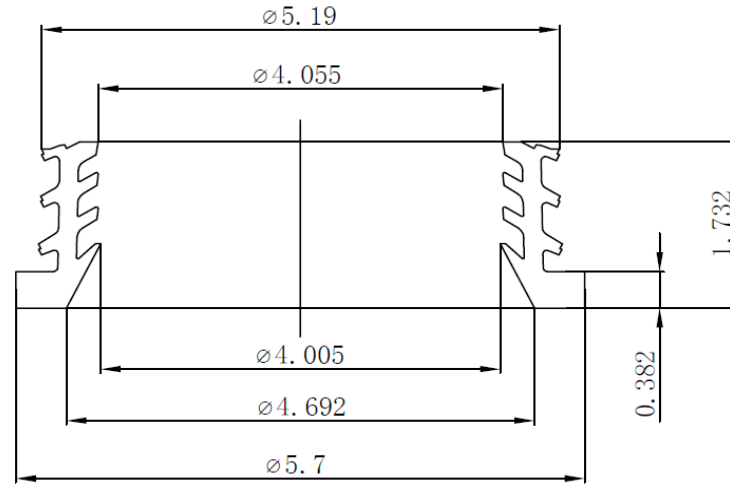
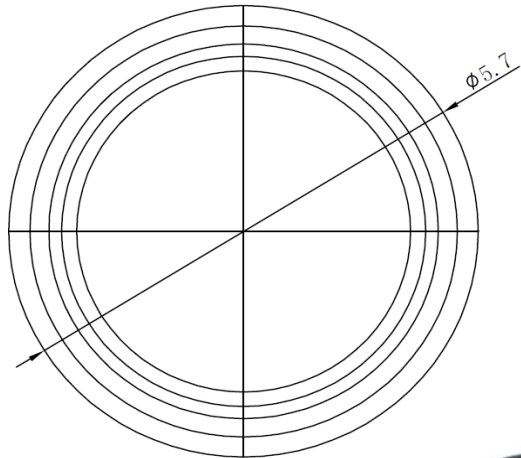
Material: High-Impact Polypropylene
Color: Yellow

| Item # | Mfgr Part # | Description | Qty |
|--------|-------------|---------------------------|-----|
| 1 | 89-EF4 | 4" Yellow Effluent Filter | 1 |

| | | | | | |
|--|----------|-----------|------------------------------------|----------------------|----------|
| UNLESS OTHERWISE SPECIFIED: DIMENSIONS ARE IN INCHES SURFACE FINISH: TOLERANCES: LINEAR: ANGULAR: | FINISH: | | DEBURR AND BREAK SHARP EDGES | DO NOT SCALE DRAWING | REVISION |
| | | | | | |
| | NAME | SIGNATURE | DATE | TITLE: | |
| DRAWN | Tuf-Tite | | | | |
| CHKD | D. Simon | | April 2024 | | |
| APPV'D | | | | | |
| MFG | | | | MATERIAL: | |
| QA | | | | WEIGHT: 15 oz. | SCALE: |
| | | | | SHEET: 1 OF 1 | |



Valencia Pipe Company
 4" Baffle Tee Gasket
 Model # SPL-ER-G

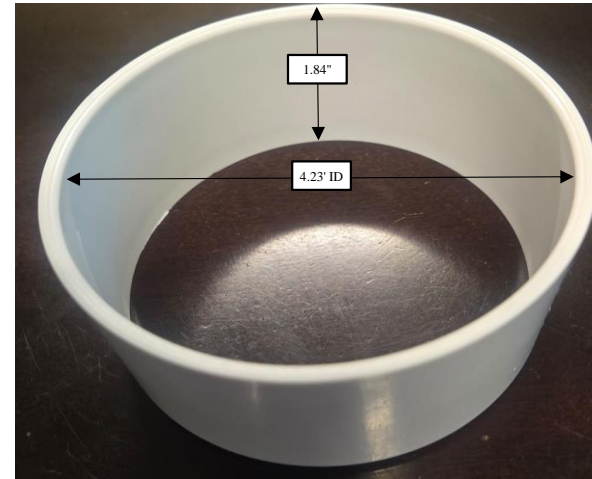
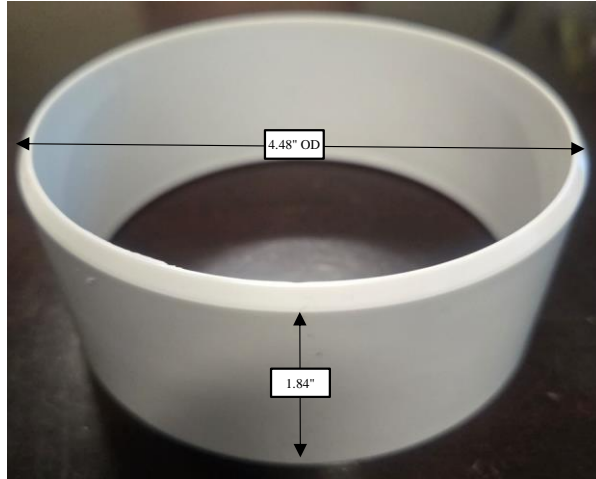


| Item # | Mfgr Part # | Description | Qty |
|--------|-------------|--|-----|
| 1 | SPL-ER-G | 4" black rubber gasket, ASTM C-564 and ASTM C-1563 | 1 |

| | | | | | |
|--|----------|-----------|------------------------------------|----------------------|----------|
| UNLESS OTHERWISE SPECIFIED: DIMENSIONS ARE IN INCHES SURFACE FINISH: TOLERANCES: LINEAR: ANGULAR: | FINISH: | | DEBURR AND BREAK SHARP EDGES | DO NOT SCALE DRAWING | REVISION |
| | | | | | |
| | NAME | SIGNATURE | DATE | TITLE: | |
| DRAWN | | | | | |
| CHKD | D. Simon | | April 2024 | | |
| APPV'D | | | | | |
| MFG | | | | MATERIAL: | |
| QA | | | | WEIGHT: 7.5 oz. | SCALE: |
| | | | | SHEET: 1 OF 1 | |



Valencia Pipe Company
 Schedule 4 to SDR-35 Bushing
 Model # 89-B4035

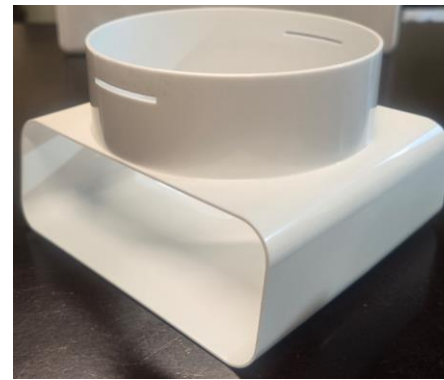
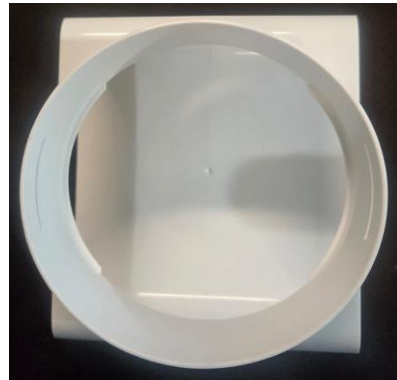
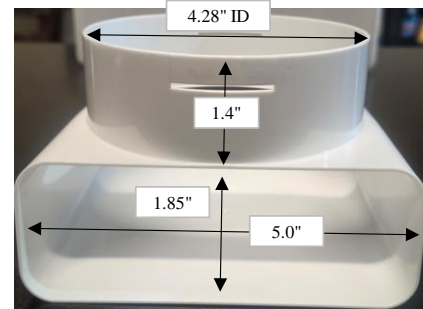
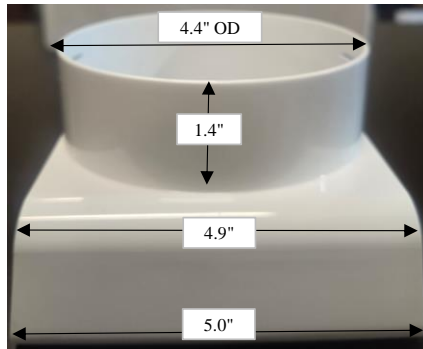


| Item # | Mfgr Part # | Description | Qty |
|--------|-------------|--------------------------|-----|
| 1 | 89-B4035 | Sch 40 to SDR-35 Bushing | 1 |

| | | | | | | |
|--|----------|-----------|------------|------------------------------------|----------------------|---------------|
| UNLESS OTHERWISE SPECIFIED: DIMENSIONS ARE IN INCHES SURFACE FINISH: TOLERANCES: LINEAR: ANGULAR: | FINISH: | | | DEBURR AND BREAK SHARP EDGES | DO NOT SCALE DRAWING | REVISION |
| | | | | | | |
| | NAME | SIGNATURE | DATE | TITLE: | | |
| DRAWN | Tuf-Tite | | | | | |
| CHKD | D. Simon | | April 2024 | | | |
| APPV'D | | | | | | |
| MFG | | | | MATERIAL: | | |
| QA | | | | WEIGHT: 2 oz. | SCALE: | SHEET: 1 OF 1 |



Valencia Pipe Company
 4" Solid Waste Deflector
 Model # 89-SD4

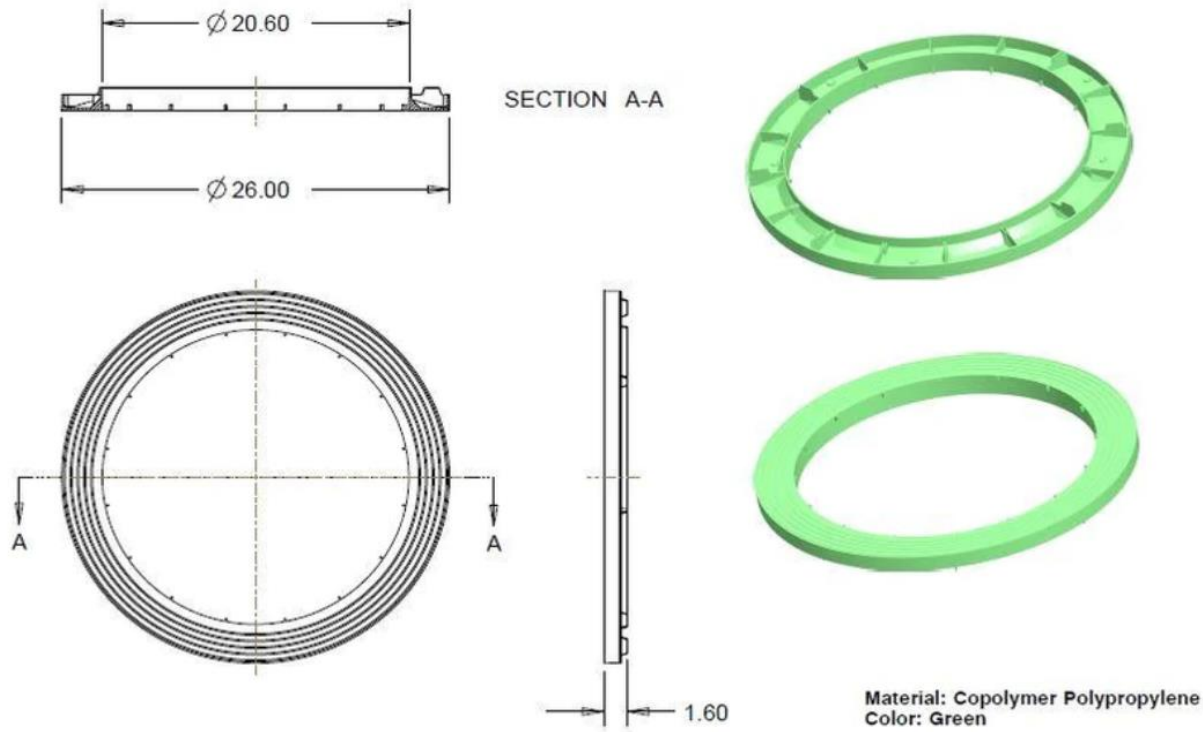


| Item # | Mfgr Part # | Description | Qty |
|--------|-------------|------------------------------------|-----|
| 1 | 89-SD4 | 4" White PVC Solid Waste Deflector | 1 |

| | | | | | | |
|--|----------|-----------|------------|------------------------------------|----------------------|---------------|
| UNLESS OTHERWISE SPECIFIED: DIMENSIONS ARE IN INCHES SURFACE FINISH: TOLERANCES: LINEAR: ANGULAR: | FINISH: | | | DEBURR AND BREAK SHARP EDGES | DO NOT SCALE DRAWING | REVISION |
| | | | | | | |
| | NAME | SIGNATURE | DATE | TITLE: | | |
| DRAWN | Tuf-Tite | | | | | |
| CHKD | D. Simon | | April 2024 | | | |
| APPV'D | | | | | | |
| MFG | | | | MATERIAL: | | |
| QA | | | | WEIGHT: 3.1 oz. | SCALE: | SHEET: 1 OF 1 |



Valencia Pipe Company
 20" Tank to Riser Adapter - Green
 Model # 89-20RTT

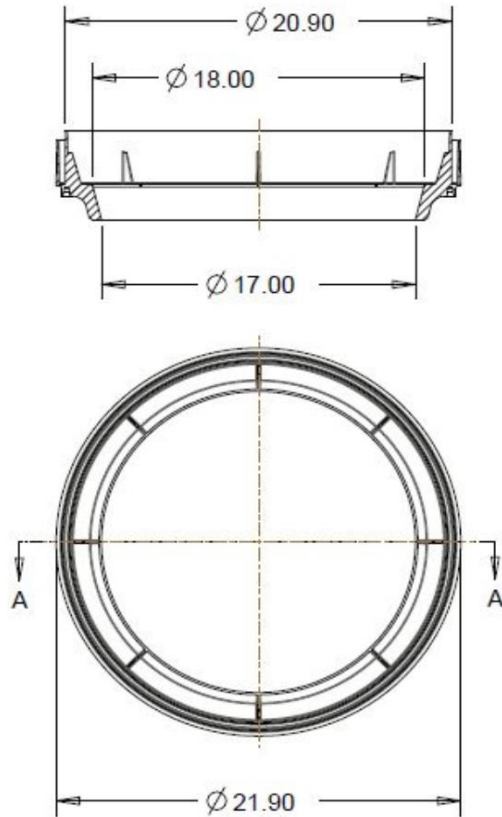


| Item # | Mfgr Part # | Description | Qty |
|--------|-------------|-----------------------------------|-----|
| 1 | 89-20RTT | 20" Tank to Riser Adapter - Green | 1 |

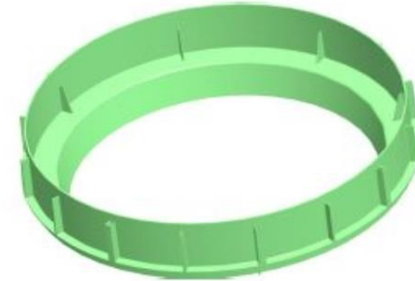
| | | | | | | |
|--|----------|-----------|------------|------------------------------------|----------------------|---------------|
| UNLESS OTHERWISE SPECIFIED: DIMENSIONS ARE IN INCHES SURFACE FINISH: TOLERANCES: LINEAR: ANGULAR: | FINISH: | | | DEBURR AND BREAK SHARP EDGES | DO NOT SCALE DRAWING | REVISION |
| | | | | | | |
| | NAME | SIGNATURE | DATE | TITLE: | | |
| DRAWN | Tuf-Tite | | | | | |
| CHKD | D. Simon | | April 2024 | | | |
| APPV'D | | | | | | |
| MFG | | | | MATERIAL: | | |
| QA | | | | WEIGHT: 1 lb, 3 oz | SCALE: | SHEET: 1 OF 1 |



Valencia Pipe Company
 3" x 20" Riser / Safety Pan - Green
 Model 89-20RISP



SECTION A-A



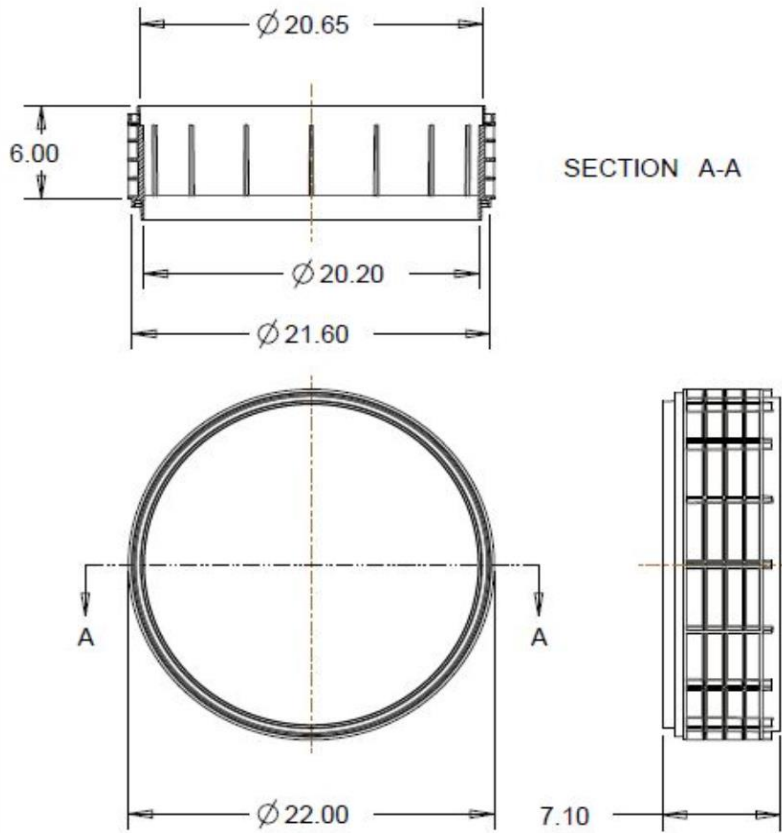
Material: Copolymer Polypropylene
 Color: Green

| Item # | Mfgr Part # | Description | Qty |
|--------|-------------|--|-----|
| 1 | 89-20RISP | 3" x 20" diameter green riser / safety pan | 1 |

| | | | | | | |
|--|----------|-----------|------------|------------------------------------|----------------------|---------------|
| UNLESS OTHERWISE SPECIFIED: DIMENSIONS ARE IN INCHES SURFACE FINISH: TOLERANCES: LINEAR: ANGULAR: | FINISH: | | | DEBURR AND BREAK SHARP EDGES | DO NOT SCALE DRAWING | REVISION |
| | | | | | | |
| | NAME | SIGNATURE | DATE | TITLE: | | |
| DRAWN | Tuf-Tite | | | | | |
| CHKD | D. Simon | | April 2024 | | | |
| APPV'D | | | | | | |
| MFG | | | | MATERIAL: | | |
| QA | | | | WEIGHT: 2.65 lbs. | SCALE: | SHEET: 1 OF 1 |



Valencia Pipe Company
 6" x 20" Riser Green
 Model # 89-20RIS6



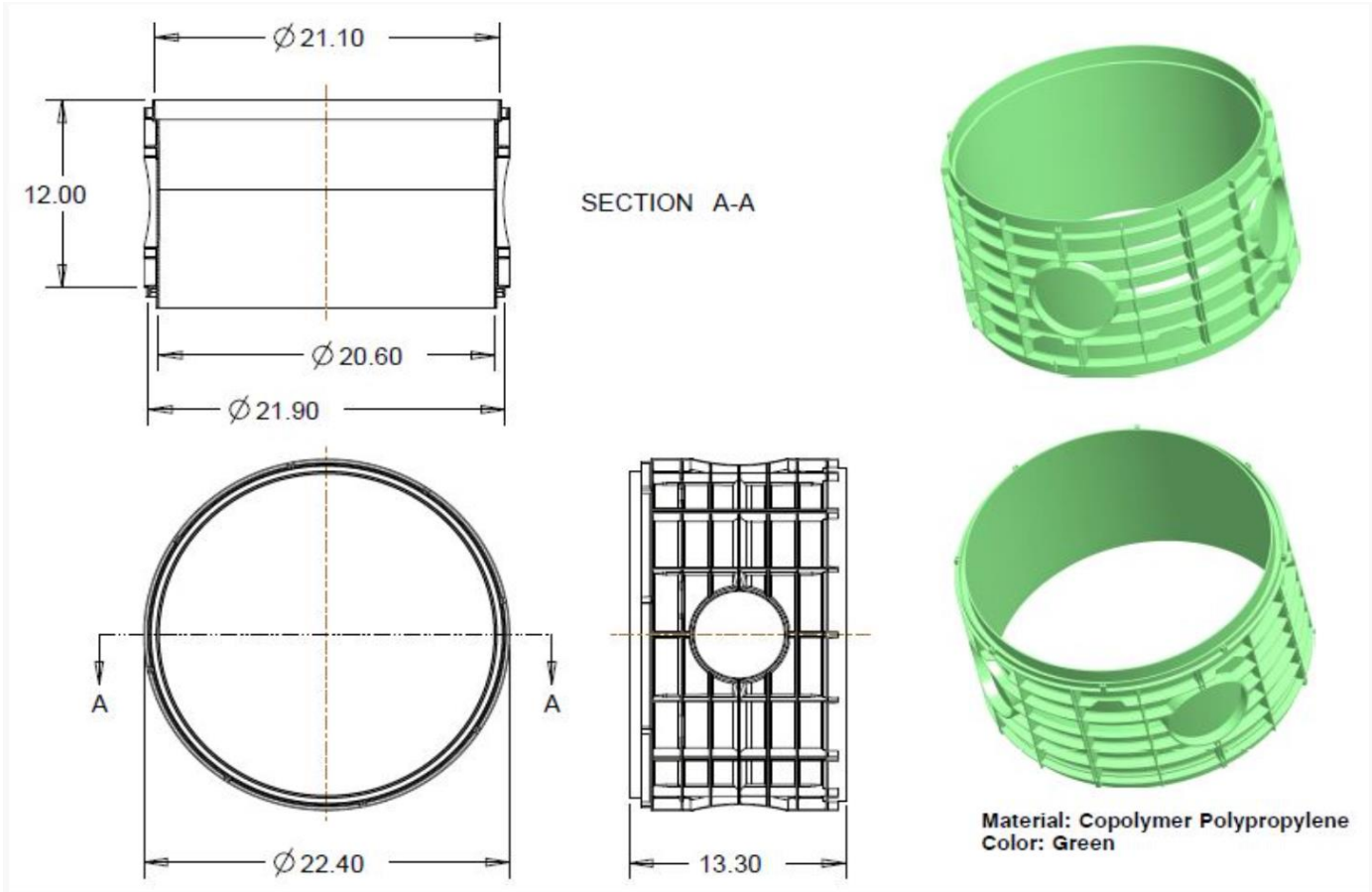
Material: Copolymer Polypropylene
Color: Green

| Item # | Mfgr Part # | Description | Qty |
|--------|-------------|-------------------------------|-----|
| 1 | 89-20RIS6 | 6" x 20" diameter green riser | 1 |

| | | | | | | |
|--|----------|-----------|------------|------------------------------------|----------------------|---------------|
| UNLESS OTHERWISE SPECIFIED: DIMENSIONS ARE IN INCHES SURFACE FINISH: TOLERANCES: LINEAR: ANGULAR: | FINISH: | | | DEBURR AND BREAK SHARP EDGES | DO NOT SCALE DRAWING | REVISION |
| | | | | | | |
| | NAME | SIGNATURE | DATE | TITLE: | | |
| DRAWN | Tuf-Tite | | | | | |
| CHKD | D. Simon | | April 2024 | | | |
| APPV'D | | | | | | |
| MFG | | | | MATERIAL: | | |
| QA | | | | WEIGHT: 3 lbs, 5 oz | SCALE: | SHEET: 1 OF 1 |



Valencia Pipe Company
 12" x 20" Riser Green
 Model # 89-20RIS12



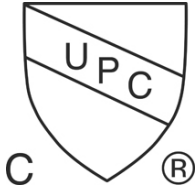
Material: Copolymer Polypropylene
 Color: Green

| Item # | Mfgr Part # | Description | Qty |
|--------|-------------|--------------------------------|-----|
| 1 | 89-20RIS12 | 12" x 20" diameter green riser | 1 |

| | | | | | | |
|--|----------|-----------|------------|------------------------------------|----------------------|---------------|
| UNLESS OTHERWISE SPECIFIED: DIMENSIONS ARE IN INCHES SURFACE FINISH: TOLERANCES: LINEAR: ANGULAR: | FINISH: | | | DEBURR AND BREAK SHARP EDGES | DO NOT SCALE DRAWING | REVISION |
| | | | | | | |
| | NAME | SIGNATURE | DATE | TITLE: | | |
| DRAWN | Tuf-Tite | | | | | |
| CHKD | D. Simon | | April 2024 | | | |
| APPV'D | | | | | | |
| MFG | | | | MATERIAL: | | |
| QA | | | | WEIGHT: 5 lbs 14 oz | SCALE: | SHEET: 1 OF 1 |

IAPMO RESEARCH AND TESTING, INC.

CERTIFICATE OF LISTING



Issued To: VALENCIA PIPE COMPANY

Effective Date: April 2024

File Number: 16181

Product: Prefabricated Septic Tanks

Void After: April 2029

This certificate is not evidence of current listing. To verify listing status, visit the IAPMO R&T Product Listing Directory at pld.iapmo.org

Identification:

Each tank shall be marked with the following information: 1) manufacturer's name or trademark; 2) model number; 3) working liquid volume in gallons and liters; 4) date (i.e., month and year), date code, or identifier traceable to the date of manufacture; 5) maximum design load and maximum burial depth for which the tank is designed in feet and meters; 6) volume of the chamber(s) as a function of depth in gallons per inch and liters per centimeter (this can be affixed to the tank exterior or provided in the manufacturer's product literature); 7) inlet and outlet; 8) type of tank (e.g., H, T, S, P, ES or EP); and 7) statement "above-ground installation not permitted" or "AGINP" (where applicable). For a concrete tank, a marking shall indicate whether it is suitable for sulphate or non-sulphate soils, i.e. "SUL" or "NON-SUL". Markings shall be permanent, legible, and visible. Acceptable means of applying permanent markings shall include permanently affixed metal plates, etching, mechanical stamping, stamping with a permanent (non-water-soluble) ink, and molding in. Markings shall be located on the top of the tank near the access opening or at the end of the tank near the inlet. The product shall also bear the cUPC® certification mark adjacent to product markings.

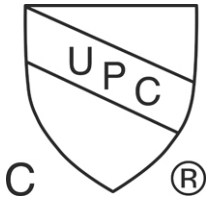
Characteristics:

Prefabricated septic tanks made of concrete, fiber-reinforced polyester (FRP), thermoplastic, or steel. To be installed in accordance with the manufacturer's instructions and the latest edition of the Uniform Plumbing Code.

Products listed on this certificate have been tested by an IAPMO R&T recognized laboratory. This recognition has been granted based upon the laboratory's compliance to the applicable requirements of ISO/IEC 17025.

IAPMO RESEARCH AND TESTING, INC.

CERTIFICATE OF LISTING



Issued To: VALENCIA PIPE COMPANY

Effective Date: April 2024

File Number: 16181

Product: Prefabricated Septic Tanks

Void After: April 2029

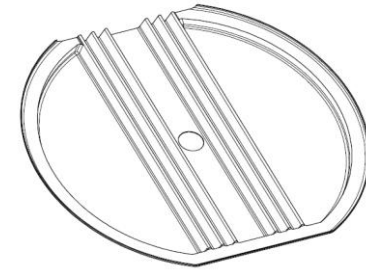
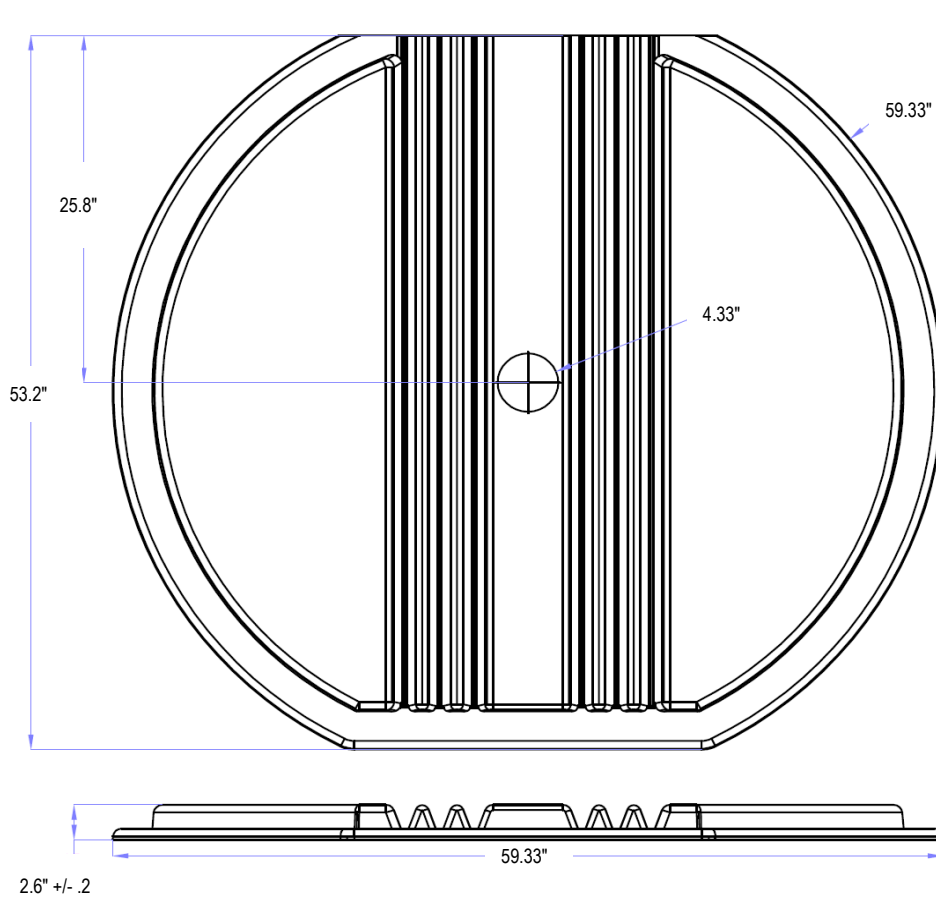
This certificate is not evidence of current listing. To verify listing status, visit the IAPMO R&T Product Listing Directory at pld.iapmo.org

Models

| Model Number | Description |
|--------------|---|
| 87-41718 | 1000 Gallon Single Compartment Septic Tank Yellow |
| 87-41720 | 1000 Gallon Two Compartment Septic Tank Yellow |
| 87-41758 | 1500 Gallon Single Compartment Septic Tank Yellow |
| 87-41760 | 1500 Gallon Two Compartment Septic Tank Yellow |



Valencia Pipe Company
1000g Septic Baffle
Part # 1000L



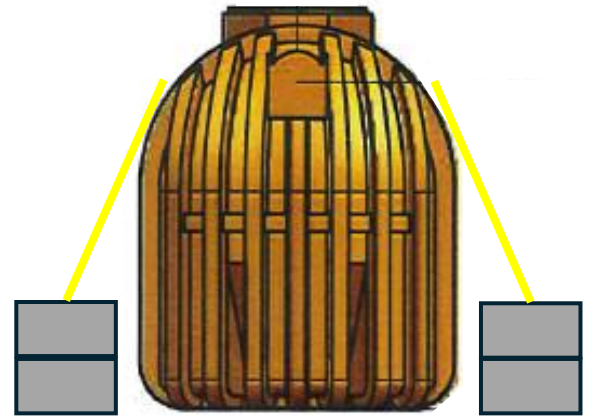
Technical parameters:

1. The product is a single-layer blister, black, HDPE, and thickness of 6mm.
2. The draft angle inside the product cavity is 3 degrees.
3. The surface is flat, the mold font can be read, without obvious wrinkles, cracks, or deformation, and the product edges are free of burrs and sharp corners.
4. All surfaces of the product shall be free of any obvious floating ash, oil stains, water stains, or material scraps, and shall not be bonded with tailings or other miscellaneous materials.
5. The color should be consistent with the color palette. If there is a slight color difference, a distance of 1 meter should be used for daytime outdoor comparison, and there should be no obvious color difference or impurities. The color of the same batch of goods should be consistent.
6. Tolerance requirements: length width $\pm 5\text{mm}$, height $\pm 5\text{mm}$, product weight 9.9kg, weight tolerance $\pm 0.5\text{kg}$.
7. Applicable temperature: $-25\text{ }^{\circ}\text{C} \sim 55\text{ }^{\circ}\text{C}$ ($-13\text{ }^{\circ}\text{F} \sim 131\text{ }^{\circ}\text{F}$).

Baffle placement: 65" from side wall to baffle on 2/3 (inlet) side; 35" from side wall to baffle on 1/3 (outlet) side).

| | | | | | | | | | |
|--|--|-----------|--|--|--|--|--|----------------------|--|
| UNLESS OTHERWISE SPECIFIED: DIMENSIONS ARE IN INCHES SURFACE FINISH: TOLERANCES: LINEAR: ANGULAR: | | FINISH: | | DEBURR AND BREAK SHARP EDGES | | DO NOT SCALE DRAWING | | REVISION | |
| DRAWN | | SIGNATURE | | DATE | | TITLE: | | | |
| CHKD | | D. Simon | | 12/11/2023 | | 1000 GALLON TWO COMPARTMENT SEPTIC TANK INTERNAL BAFFLE | | | |
| APPV'D | | | | March 2024 | | | | | |
| MFG | | | | | | | | | |
| QA | | | | | | | | | |
| | | | | MATERIAL: High Density Polyethylene (HDPE) | | WEIGHT: 17 lbs | | SCALE: SHEET: 1 OF 1 | |

| Valencia Pipe Company 1000 Gallon Septic Tank Additional Weight Necessary (Pounds) | | | | | |
|---|--|----|------|------|------|
| Inches of Soil Cover On Top of Tank | Inches of Groundwater Above Base of Tank | | | | |
| | 6 | 12 | 18 | 24 | 30 |
| 6 | | | 3351 | 3510 | 5469 |
| 9 | | | 635 | 2594 | 4553 |
| 12 | | | | 1674 | 3633 |
| 15 | | | | | 2715 |
| 18 | | | | | 1797 |
| 21 | | | | | |
| 24 | | | | | |
| 27 | | | | | |
| 30 | | | | | |



Some Suggestions:

| Valencia Pipe Company 1500 Gallon Septic Tank Additional Weight Necessary (Pounds) | | | | | |
|---|--|----|-----|------|------|
| Inches of Soil Cover On Top of Tank | Inches of Groundwater Above Base of Tank | | | | |
| | 6 | 12 | 18 | 24 | 30 |
| 6 | | | 549 | 3781 | 7013 |
| 9 | | | | 1959 | 5191 |
| 12 | | | | 135 | 3367 |
| 15 | | | | | 1542 |
| 18 | | | | | |
| 21 | | | | | |
| 24 | | | | | |
| 27 | | | | | |
| 30 | | | | | |



Concrete Block



Concrete
Parking Lot
Bumper

* - 90# (used for calculation purposes) in clay soil

No additional weight or restraints necessary
 Amount of extra weight / restraint necessary
(In pounds)

Installing an underground septic system is a labor- and time-intensive endeavor that requires some expertise.

If you are unsure of any aspect of your septic tank installation, hire or consult with a qualified tank installer.



THE CONSULTING BUREAU INC

30 Wall Street, 8th Floor, Office 813, New York, NY 10005

Tel: 605-690-9946

Ali@consultingbureau.org

Engineerfny@gmail.com

April 20, 2024

To: Valencia Pipe Company, Tank Division

28305 Livingston Ave

Valencia, CA 91355

United States



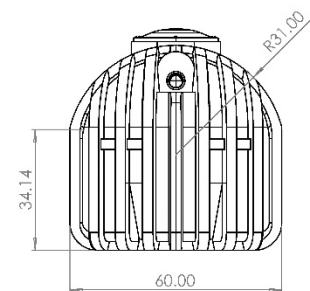
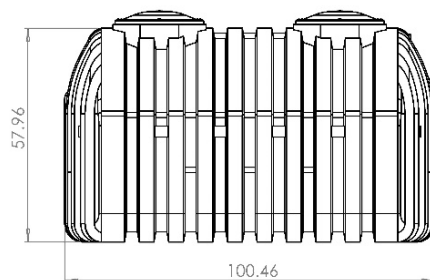
Subject: Documentation of tank buoyancy calculations and additional weights needed (for septic tank, 1000 gallon).

Description:

- The forces acting up and down on the tank will be determined.
- The upward force is the buoyant force and is equal to the weight of the fluid displaced.
- The downward forces are the weight of the tank and Groundwater Rise above Base of Tank, in addition to the weight of the soil on top of the tank.
- It will be considered that the upward force has a positive sign and the downward force has a negative sign, and then the resultant of the forces is found.
- If the resultant force is positive, the body tends to move upward. Therefore, an additional mass must be placed from above to equalize the weight and prevent buoyancy.
- If the resultant force is negative, then the resultant force is greater in the downward direction, so we do not need additional weights because there is no buoyancy.

Data:

- ✓ Height: 58 inch
- ✓ Width: 60 inch
- ✓ Length: 100.64 inch
- ✓ Thickness: 0.25 inch
- ✓ Soil :
 - Sand
 - Clay
 - Sandy/Clay Mix
- ✓ Water density = 62.4 lb/ft³



Goals:

The goal is to create a table that includes a relationship between the Groundwater Rise above Base of Tank, the height of the soil above the tank, and the weight necessary to equalize the weight and prevent the tank from floating.

Sandy Soil

| Valencia Pipe Company 1000 Gallon Septic Tank Additional Weight Necessary | | | | | |
|--|--|-----|------|------|------|
| Inches of Soil Cover On Top of Tank | Inches of Groundwater Above Base of Tank | | | | |
| | 6 | 12 | 18 | 24 | 30 |
| 6 | | 276 | 2235 | 4194 | 6153 |
| 9 | | | 1481 | 3440 | 5399 |
| 12 | | | 723 | 2682 | 4641 |
| 15 | | | | 1926 | 3885 |
| 18 | | | | | 3129 |
| 21 | | | | | 2373 |
| 24 | | | | | |
| 27 | | | | | |
| 30 | | | | | |

No additional weight or restraints necessary

Amount of extra weight / restraint necessary (in pounds)

Clay Soil

| Valencia Pipe Company 1000 Gallon Septic Tank Additional Weight Necessary | | | | | |
|--|--|----|------|------|------|
| Inches of Soil Cover On Top of Tank | Inches of Groundwater Above Base of Tank | | | | |
| | 6 | 12 | 6 | 24 | 6 |
| 6 | | | 1551 | 3510 | 5469 |
| 9 | | | 635 | 2594 | 4553 |
| 12 | | | | 1674 | 3633 |
| 15 | | | | | 2715 |
| 18 | | | | | 1797 |
| 21 | | | | | |
| 24 | | | | | |
| 27 | | | | | |
| 30 | | | | | |

No additional weight or restraints necessary

Amount of extra weight / restraint necessary (in pounds)

Sandy Clay Soil

| Valencia Pipe Company 1000 Gallon Septic Tank Additional Weight Necessary | | | | | |
|--|--|----|-----|------|------|
| Inches of Soil Cover On top of Tank | Inches of Groundwater Above Base of Tank | | | | |
| | 6 | 12 | 6 | 24 | 6 |
| 6 | | | 867 | 2826 | 4785 |
| 9 | | | | 1749 | 3708 |
| 12 | | | | | 2625 |
| 15 | | | | | 1545 |
| 18 | | | | | |
| 21 | | | | | |
| 24 | | | | | |
| 27 | | | | | |
| 30 | | | | | |

| | |
|--|--|
| No additional weight or restraints necessary | Amount of extra weight / restraint necessary (in pounds) |
|--|--|

Results:

1. Find the necessary weights to prevent the tank from floating.
2. It has been observed that in many cases there is no need to put weights, as the tank does not float at all.
3. It is concluded from the table that if the height of the water around the tank is small, we do not need large weights to overcome the buoyancy.

Buoyancy Control Methods

Buoyancy control methods are vital for preventing uplift of structures like septic tanks in buoyant soil conditions. There are several effective strategies to mitigate buoyancy forces and ensure stability:

1. **Anchoring Systems:** Installing anchors made of concrete or steel securely attach to the septic tank and buried deep into the soil. These anchors increase the system's weight and stability, countering uplift forces.



2. **Ballast Weights:** Placing ballast weights, typically made of concrete or metal, on or around the septic tank can counteract upward forces exerted by buoyant soil or groundwater. Properly positioned ballast weights significantly enhance system stability.
3. **Deep Burial:** Installing septic tanks at greater depths places them below fluctuating groundwater levels, minimizing uplift potential. However, deep burial may require additional excavation and construction considerations. VPC septic tanks should be buried at a minimum of 6” and a maximum of 30”.
4. **Engineering Solutions:** Advanced techniques like soil stabilization or ground improvement methods can mitigate buoyancy. These solutions include soil compaction, grouting, or using geosynthetic materials to enhance soil strength.
5. **Regulatory Compliance and Standards:** Adhering to regulations and industry standards ensures effective buoyancy control. Compliance with guidelines and practices promotes responsible wastewater management and reduces risks associated with buoyancy.



By combining these methods and following regulations, stakeholders can mitigate buoyancy risks and ensure the stability and functionality of septic systems in buoyant soil environments. Proactive planning, proper design, and regular maintenance are crucial for long-term stability.

Conclusion

In conclusion, the issue of septic tank buoyancy is a critical consideration in the design, installation, and maintenance of septic systems. Buoyancy occurs when groundwater levels rise, exerting upward pressure on the tank, potentially causing it to float. This phenomenon poses significant risks, including structural damage, system failure, and environmental hazards.

To mitigate buoyancy risks, various strategies can be employed, such as proper tank anchoring, installation of ballast weights, or designing tanks with sufficient weight and depth to resist uplift forces. Regular inspection and maintenance are also essential to detect and address any buoyancy-related issues promptly.

| | |
|--|--|
| SHOP DRAWING / SUBMITTAL REVIEW | |
| <input checked="" type="checkbox"/> APPROVED | <input type="checkbox"/> APPROVED WITH CHANGES NOTED |
| <input type="checkbox"/> REVISE AND RESUBMIT | <input type="checkbox"/> REJECTED: _____ |
| SUBMITTAL WAS REVIEWED FOR DESIGN CONFORMITY AND GENERAL CONFORMANCE TO CONTRACT DOCUMENTS ONLY THE CONTRACTOR IS RESPONSIBLE FOR CONFIRMING AND CORRELATING DIMENSIONS AT JOB SITES FOR TOLERANCES, CLEARANCES, QUANTITIES, FABRICATION PROCESSES AND TECHNIQUES OF CONSTRUCTION, COORDINATION OF HIS WORK WITH OTHER TRADES AND FULL COMPLIANCE WITH THE CONTRACT DOCUMENTS. | |
| BY _____ | AI/EI _____ DATE 4/26/24 |
| THE CONSULTING BUREAU INC. | |





THE CONSULTING BUREAU INC

30 Wall Street, 8th FL Office 813 New York, NY10005

Tell: 605-690-9946

Ali@consultingbureau.org

Engineerfny@gmail.com

April 20, 2024

To: Valencia pipe company
28305 Livingston Ave
Valencia, CA 91355
United States



Subject: Documentation of the total liquid capacity and tank volumes calibrated in one-inch increments, (for septic tank, size 1000 gallon)

Description:

- A gradation of standards will be created for each inch linking the level of the water surface inside the tank and the volume of water inside it.
- The volume of water inside the tank was calculated using SolidWorks when the water level was only one inch.
- The previous step was repeated for each two-inch water level and the water volume was calculated again and so on until we obtained a set of values for water heights and volumes.
- In the table there is a third column of values that contains the amount of increase in the volume of water at this height compared to the previous height.
- After that, a curve was drawn between the height of the water in the tank and the volume of water inside it to further clarify the table data.
- Another curve was drawn between the height of the water in the tank and the amount of volume increase in this step over the previous step in the gradual process.

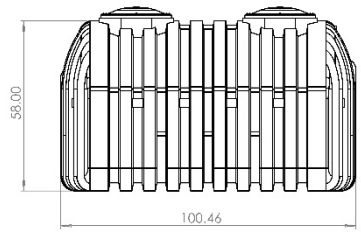
Data:

Height: 58 inch

Width: 60 inch

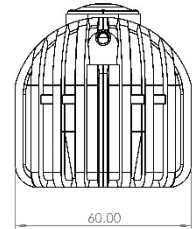
Length: 100.64 inch

Thickness: 0.315 inch



Goals:

Obtain a scale between the water level in the tank and the volume of water inside it (calibrated in one-inch increment)



Here is the table containing the columns:

- ✓ The first contains the water rising inside the tank by an increment of one inch
- ✓ The second contains the volume of the tank at the corresponding height in the previous column
- ✓ The third contains the amount of increase at this height over the previous height.

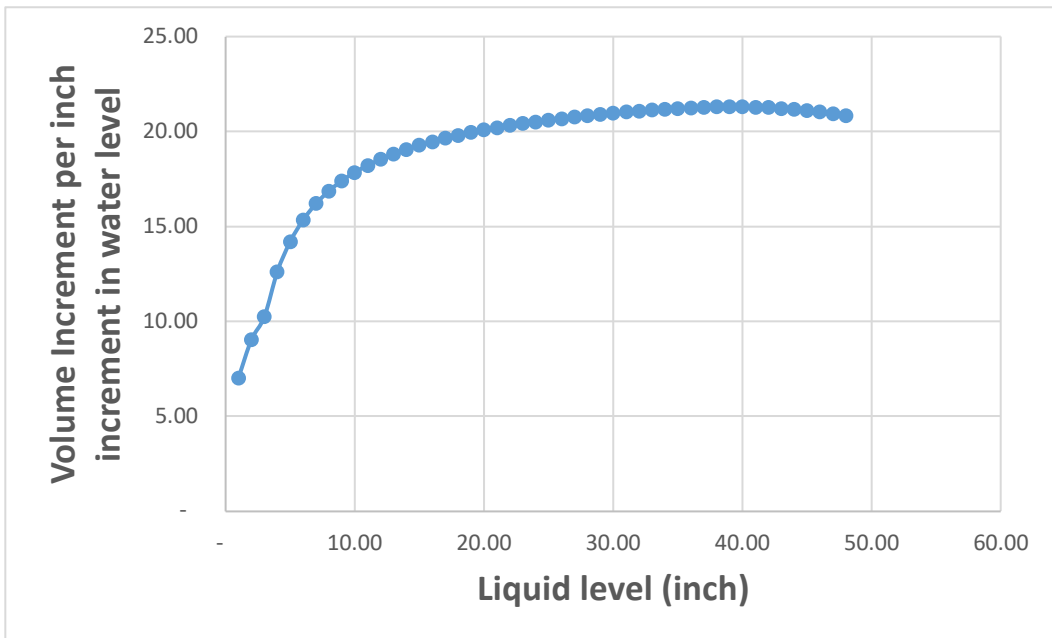
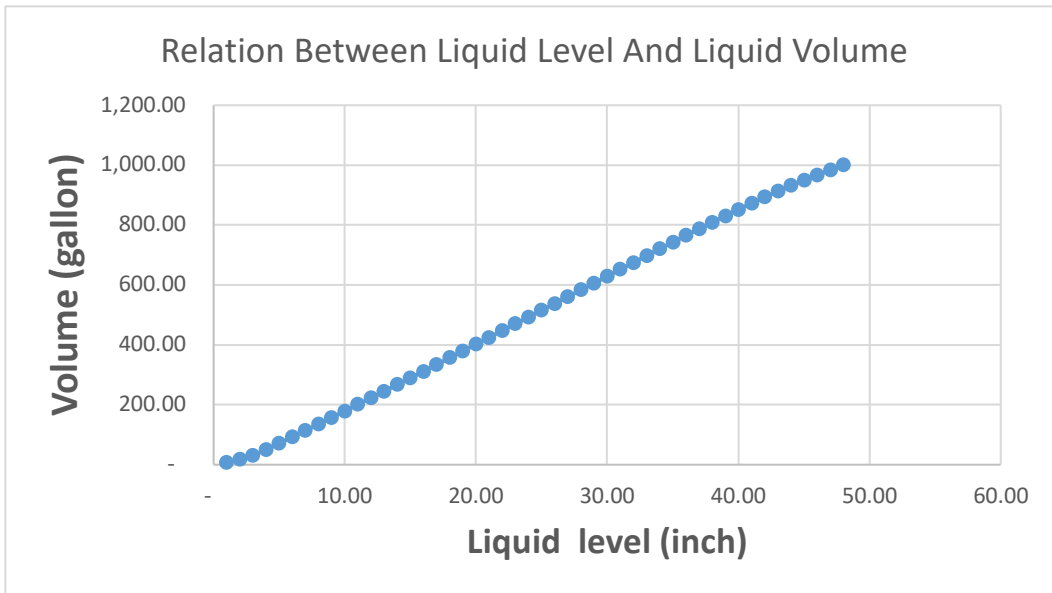
| Water level with one inch increment | Liquid Volume inside the tank (gallon) | Volume Increment per inch increment in water level |
|-------------------------------------|--|--|
| 1.00 | 7.03 | 7.03 |
| 2.00 | 18.07 | 9.04 |
| 3.00 | 30.73 | 10.24 |
| 4.00 | 50.45 | 12.61 |
| 5.00 | 71.00 | 14.20 |
| 6.00 | 92.05 | 15.34 |
| 7.00 | 113.42 | 16.20 |
| 8.00 | 134.98 | 16.87 |
| 9.00 | 156.68 | 17.41 |
| 10.00 | 178.48 | 17.85 |
| 11.00 | 200.40 | 18.22 |
| 12.00 | 222.42 | 18.54 |
| 13.00 | 244.54 | 18.81 |
| 14.00 | 266.70 | 19.05 |
| 15.00 | 289.04 | 19.27 |
| 16.00 | 311.42 | 19.46 |
| 17.00 | 333.88 | 19.64 |
| 18.00 | 356.42 | 19.80 |
| 19.00 | 379.03 | 19.95 |
| 20.00 | 401.69 | 20.08 |
| 21.00 | 424.35 | 20.21 |
| 22.00 | 447.00 | 20.32 |
| 23.00 | 469.66 | 20.42 |
| 24.00 | 492.31 | 20.51 |
| 25.00 | 514.96 | 20.60 |
| 26.00 | 537.61 | 20.68 |
| 27.00 | 560.25 | 20.75 |
| 28.00 | 582.91 | 20.82 |
| 29.00 | 605.66 | 20.88 |
| 30.00 | 628.69 | 20.96 |
| 31.00 | 651.71 | 21.02 |
| 32.00 | 674.45 | 21.08 |
| 33.00 | 697.13 | 21.13 |
| 34.00 | 719.79 | 21.17 |
| 35.00 | 742.39 | 21.21 |
| 36.00 | 764.85 | 21.25 |
| 37.00 | 787.06 | 21.27 |
| 38.00 | 808.99 | 21.29 |
| 39.00 | 830.58 | 21.30 |

| | | |
|-------|----------|-------|
| 40.00 | 851.78 | 21.29 |
| 41.00 | 872.55 | 21.28 |
| 42.00 | 892.76 | 21.26 |
| 43.00 | 912.39 | 21.22 |
| 44.00 | 931.45 | 21.17 |
| 45.00 | 949.83 | 21.11 |
| 46.00 | 967.48 | 21.03 |
| 47.00 | 984.38 | 20.94 |
| 48.00 | 1,000.54 | 20.84 |

Results:

1. Average increment in volume per inch = 19.1 gallon.
2. The Total Liquid Capacity = 1000 gallon
3. Tank Volumes Calibrated In One-Inch Increments.
4. The following Charts.

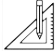
Charts



Conclusion

The volume of water was calculated from the point it reached one inch high in the tank, utilizing the SolidWorks program. Following this initial calculation, the water height was increased by one inch at each step, and the volume was recalculated until reaching the tank's maximum capacity. Subsequently, a correlation was established between the water level in the tank and its corresponding volume.

Additionally, the amount of volume increase per one-inch rise in water level was determined, allowing for the derivation of the average increase in tank water volume for each inch rise in water level. Furthermore, another correlation was drawn between the increment per inch in tank water height and the volume of water within the tank.

| | |
|--|---|
| SHOP DRAWING / SUBMITTAL REVIEW | |
| <input checked="" type="checkbox"/> APPROVED | <input type="checkbox"/> APPROVED WITH CHANGES NOTED |
| <input type="checkbox"/> REVISE AND RESUBMIT | <input type="checkbox"/> REJECTED _____ |
| SUBMITTAL WAS REVIEWED FOR DESIGN CONFORMITY AND GENERAL CONFORMANCE TO CONTRACT DOCUMENTS ONLY THE CONTRACTOR IS RESPONSIBLE FOR CONFIRMING AND CORRELATING DIMENSIONS AT JOB SITES FOR TOLERANCES, CLEARANCES, QUANTITIES, FABRICATION PROCESSES AND TECHNIQUES OF CONSTRUCTION, COORDINATION OF HIS WORK WITH OTHER TRADES AND FULL COMPLIANCE WITH THE CONTRACT DOCUMENTS. | |
| BY _____ AI / OE _____ | DATE 4/22/24 |
| THE CONSULTING BUREAU INC. |  |

Prepared by: ALI IBRAHIM

Reviewed by: OMAR ELSHAHAT



Underground Septic Tank Installation Instructions

www.valenciapipe.com
(661) 257-3923
info@valenciapipe.com

**Septic Tanks are for UNDERGROUND use only.
Failure to comply will void all warranties.**

Always be sure to check your local codes relative to underground tank installations. Some states, counties, and/or municipalities have very strict codes, especially regarding septic tanks. Septic tanks may not be returned due to inspector rejections after installation.

VPC Underground Septic Tanks



1500g Septic Tank
(1 or 2 compartments)



1000g Septic Tank
(1 or 2 compartments)

Site Preparation & Tank Placement

1. Dig a hole that will provide a minimum of 6” and a maximum of 30” of cover over the top of the tank.
 - Allow 18” to 24” on both sides and both ends of the tank.
 - Possible tank collapse could occur if these allowances are not provided and may void the warranty.
2. Bedding material:
 - Well packed sand is the preferred bedding material.
 - 6” for regular soil terrain and 12” for rocky terrain.
 - Native soil is acceptable so long as it is flowable, compactable, rock free, and can provide uniform overall support, especially in the recessed rib areas.
 - Ensure all backfill material is free of wood, masonry debris, silt, and/or clay.
 - When bedding material is in place and the foundation for the tank is level, carefully lower the tank into place.
 - This is best done with 2-3 people depending on the size and weight of the empty tank.
 - Wiggle the tank around to seat it into the sand or pea gravel to and to allow the foundation bedding material to fully support the tank and bottom ribs.
3. Install supplied 4” tees and gaskets in the inlet and outlet holes in the tank prior to placing it in a properly sized excavated hole (see below).
 - The tees can be used with 4” schedule 40 pipe or 4” SDR 35 pipe.
 - Note the direction of the flow and that the inlet hole is higher than the outlet hole.
 - Use standard PVC cement to create a solvent weld to incoming lines and outbound leach field after the tank is lowered into the hole.
 - Note: If using ABS pipe, ensure the proper ABS-PVC cement is used. ABS-ABS or PVC-PVC cement will not suffice.

NOTE: High water tables can cause a septic tank to float to the surface. If your state, county, or city requires tank buoyancy mitigation, please refer to the Septic Tank Buoyancy Mitigation Recommendations included with these instructions and/or call professional qualified septic tank installer.

4. Optional: Install a manhole extension(s) if desired.



- Manhole extensions can be ordered along with your septic tank(s).
 - 12”, 6”, and 3” high x 20” diameter.
 - Tank adapter ring is suggested for placement between the tank and the risers.



- Maximum burial level of our septic tanks is 30", so manhole extensions may be stacked on each other to obtain desired tank burial depth.
 - Use butyl rope or silicone to create a watertight seal if stacking risers.
- Use the lid(s) supplied with the tank to place on top of the manhole extension and secure with provided stainless steel screws.

Backfilling

***This is a very important phase of your installation.
Please follow instructions carefully to ensure optimal tank performance.***

5. Fill tank with 12" of water.
6. Backfill the excavation with 12" of clean backfill material.
 - **IMPORTANT:** Firmly compact the ends first, then the sides of the tank.
 - Upon completion of the first 12", continue this sequence all the way to the surface.
 - 12" of water in the tank; 12" of firmly compacted backfill around the tank.
 - Be sure to compact backfill under the inlet and outlet pipes.
7. As previously mentioned, 30" maximum burial level between the top of the tank and surface grade level.
8. Mound soil over the top of the tank to ensure positive drainage.

Important Additional Notes*

- ✓ Always check local codes to ensure plastic septic tanks can be used prior to purchasing or installation.
- ✓ Have a professional site survey done by a qualified, certified geologist prior to purchasing or installation.
- ✓ Do not install any tank in a high-water table and/or in water saturated clay.
 - The tank may collapse and expel its contents.
- ✓ Don't store a plastic tank near a flame or heat in excess of 180°F.
- ✓ Protect the tank from sharp objects both in advance of installation and during installation.
- ✓ Vehicles and/or heavy equipment can be detrimental to an underground tank.
 - Don't bury under the path of vehicles and/or heavy equipment.
- ✓ Septic tanks should be kept full at all times.
 - If a septic tank is pumped for normal maintenance, it should be refilled immediately.
- ✓ Septic tanks are not holding tanks and should not be used as such.
 - Septic tanks may not be used for drinking water.
- ✓ HDPE (high density polyethylene) tanks can be repaired. Generally, here is how it is done:
 1. Tank must be unearthed and emptied (not necessarily uninstalled and removed from its hole).
 2. Once the leaking point has been located, ensure there are no jagged edges and that the hole is "cleaned up". This can be done with a standard hand-held grinding tool and some soapy water.
 3. Purchase some HDPE strips or material.
 4. Use a medium or large tipped soldering iron to melt the material around the hole as well as to melt the HDPE strips into the hole.
 5. Repeat the process until the hole is completely filled and is secure.
 6. Test fill with water to above the hole to ensure it is watertight. If not, add more HDPE.
 7. If desired, use no heavier than 80 grit sandpaper to smooth the surface. Do not over-sand.
 8. Re-bury and re-compact as per original instructions (12" of water in tank followed 12" of compacted back-fill (starting with the ends)) and repeat until completely buried.

* - Failure of any of the above will void warranty.

VPC Tanks Limited Warranty

When installed in accordance with manufacturer's instructions, VPC (Valencia Pipe Company) warrants against defective materials and/or workmanship for three (3) years from the date of manufacture. Date of manufacture (serial number) can be found on the permanent label affixed to each tank. Should a defect appear within the warranty period, Valencia Pipe Company will supply a like replacement tank. Cost of removal and/or installation and consequential damages are not covered.

CONSUMER SHOULD CONTACT VALENCIA PIPE COMPANY PRIOR TO REMOVAL OF THE ALLEDGED DEFECTIVE TANK TO RECEIVE THE REQUIRED WARRANTY FORM.



STATE OF DELAWARE

**DEPARTMENT OF NATURAL RESOURCES AND
ENVIRONMENTAL CONTROL**

DIVISION OF WATER
RICHARDSON & ROBBINS BUILDING
89 KINGS HIGHWAY
DOVER, DELAWARE 19901

Residential Services
Section

Phone
(302) 739-9947

June 18, 2024

Dave Simon
Product Specialist
Valencia Pipe Company
28305 Livingston Ave.
Valencia, CA 91355

RE: Application for septic tank review/approval

Dear Mr. Simon,

The Division of Water has received and reviewed your request that submitted drawings titled 87-41760 1500 GALLON TWO COMPARTMENT HDPE SEPTIC TANK be approved for use in Delaware. DNREC is pleased to inform you that the above referenced septic tank has been approved for use in Delaware. Installation of the approved tank must be *installed* in accordance with manufacturers guidelines, designers proposed components and specified permit conditions. As a condition of this approval no substitution of components is allowed without written approval from the design engineer and pre approval from the Department.

If you have any questions, please contact the Department at 302-739-9947.

Sincerely,

James Powell

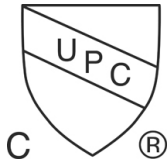
James Powell
Program Manager I, Residential Services Section
Division of Water

IAPMO RESEARCH AND TESTING, INC.

5001 E. Philadelphia Street, Ontario, CA 91761 • Phone (909) 472-4100 • Fax (909) 472-4244 • www.iapmort.org



CERTIFICATE OF LISTING



IAPMO Research and Testing, Inc. is a product certification body in which its product certification system includes inspection and testing of samples taken from the supplier's stock or from the market or a combination of both to verify compliance to the requirements of applicable codes and standards. This activity is coupled with periodic surveillance of the supplier's factory and/or warehouses as well as the assessment of the supplier's Quality Assurance System. This listing is subject to the conditions set forth in the characteristics below and is not to be construed as any recommendation, assurance or guarantee by IAPMO Research and Testing, Inc. of the product acceptance by Authorities Having Jurisdiction.

Issued To:

VALENCIA PIPE COMPANY

28305 LIVINGSTON AVE VALENCIA, CA 91355 , United States

Product:

Prefabricated Septic Tanks

Products are in compliance with the following code(s):

**Uniform Plumbing Code (UPC®)
National Plumbing Code of Canada**

Products are certified to the following standard(s)

IAPMO/ANSI Z1000-2019 and CSA B66-2021

File Number: 16181

Effective Date: April 2024

Void After: April 2029*


Chairman, Product Certification Committee




Chief Technical Service Officer

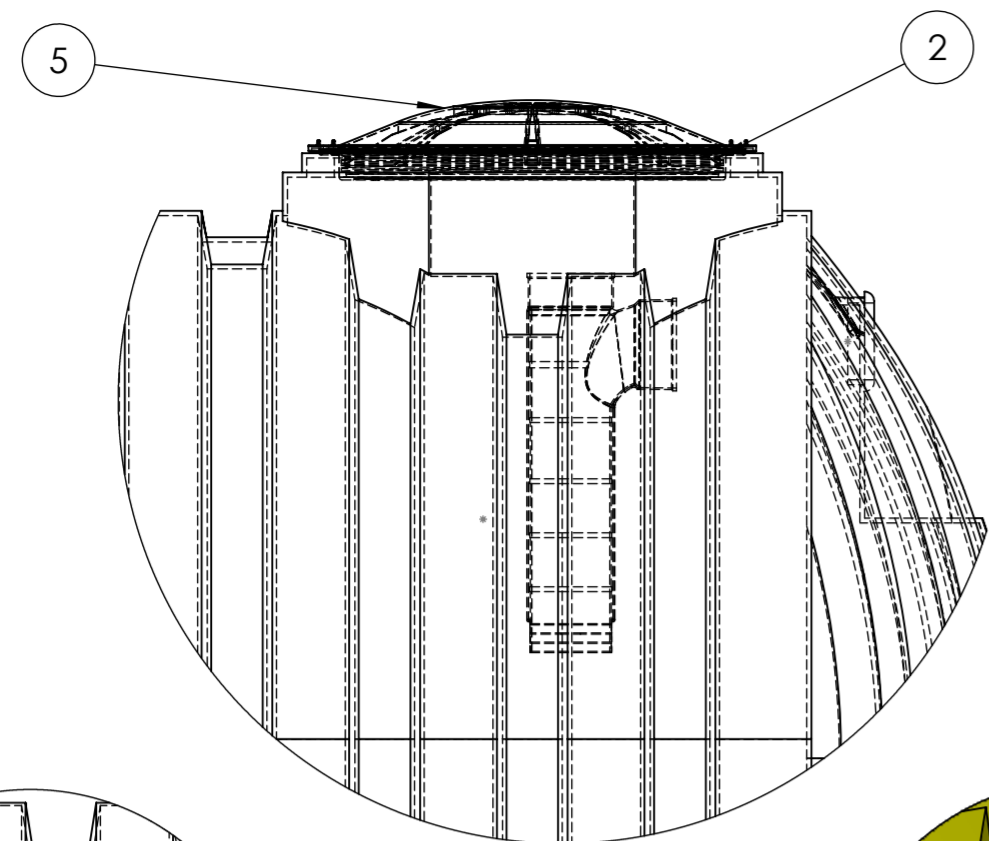
*This certificate is not evidence of current listing. To verify listing status, visit the IAPMO R&T Product Listing Directory at pld.iapmo.org

This listing period is based upon the last date of the month indicated on the Effective Date and Void After Date shown above. Any change in material, manufacturing process, marking or design without having first obtained the approval of the Product Certification Committee, or any evidence of non-compliance with applicable codes and standards or of inferior workmanship, may be deemed sufficient cause for revocation of this listing. Production of or reference to this form for advertising purposes may be made only by specific written permission of IAPMO Research and Testing, Inc. Any alteration of this certificate could be grounds for revocation of the listing. This document shall be reproduced in its entirety.

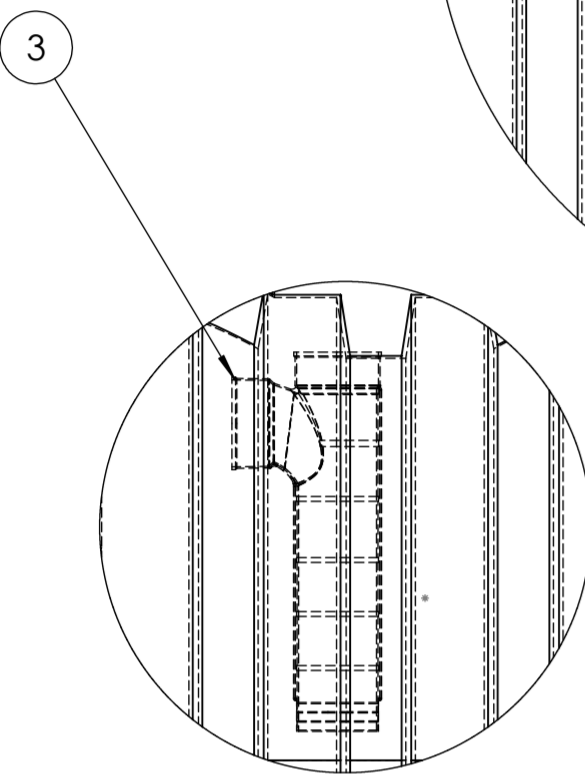
12 11 10 9 8 7 6 5 4 3 2 1

H
G
F
E
D
C
B
A

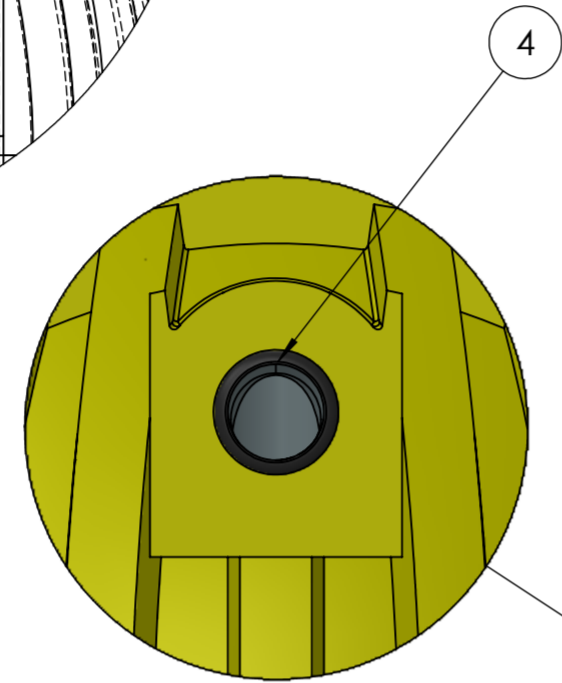
H
G
F
E
D
C
B
A



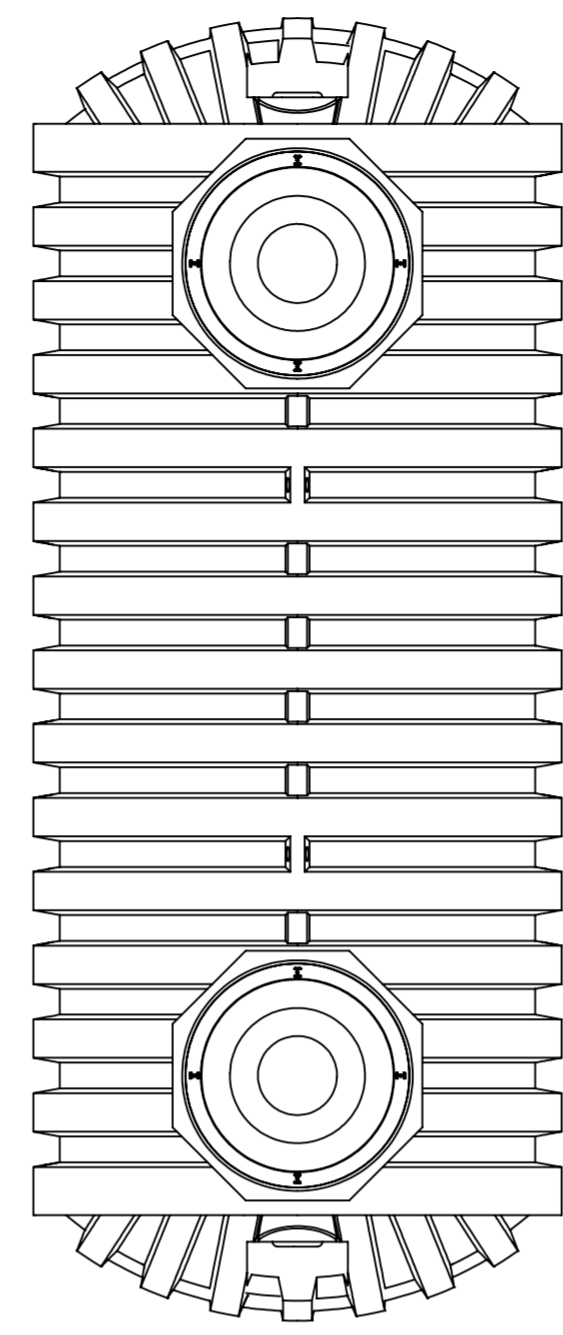
DETAIL B
SCALE 1:10



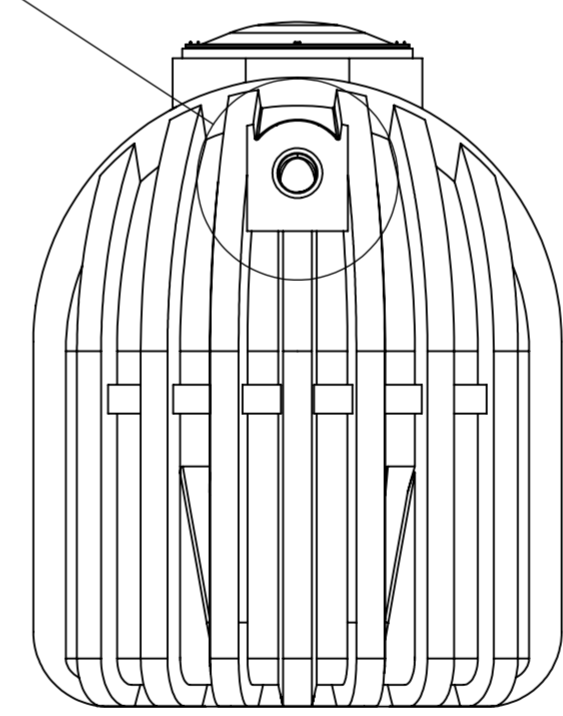
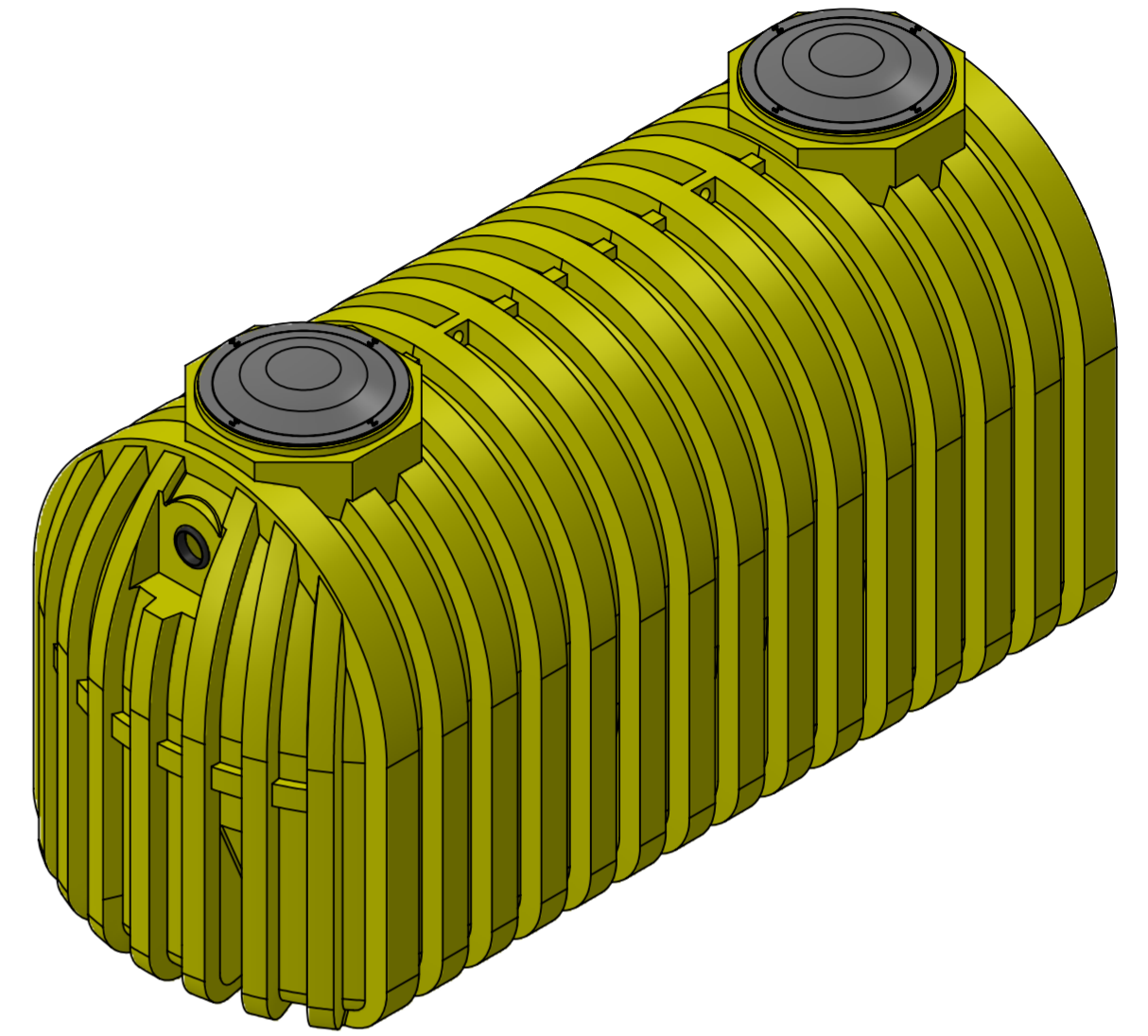
DETAIL C
SCALE 1:10



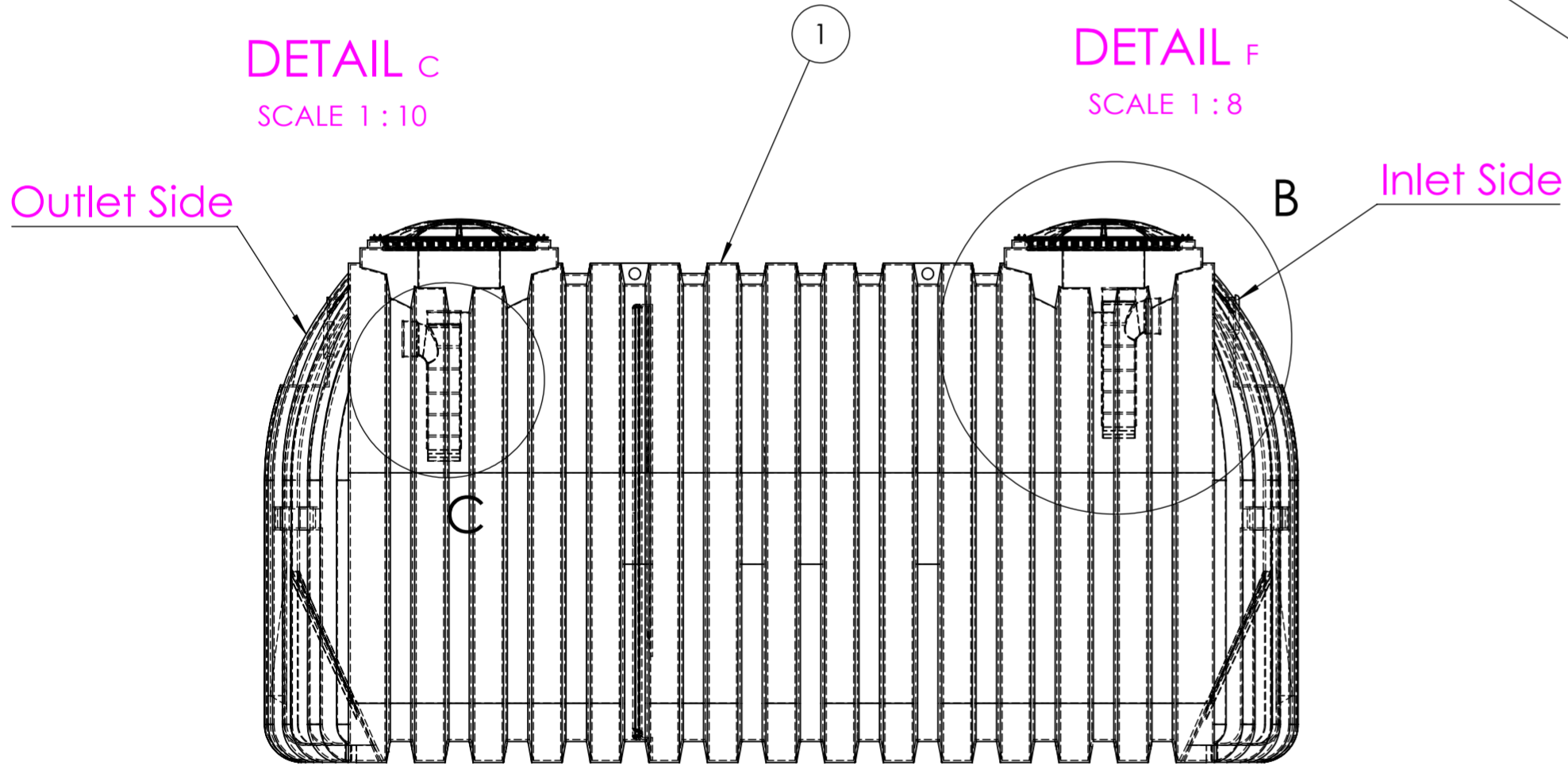
DETAIL F
SCALE 1:8



TOP VIEW



FRONT VIEW



SIDE VIEW

Operating Volume (Gls)
Primary Compartment: 1006
Secondary Compartment: 494

Complies with FDA standards 21 CFR 177.1520 (1) 3.1 and 3.2
3 year limited warranty

Municipal and County codes may vary from your state approval.
Please make sure you consult with your local sanitation department
or plumber on requirements.

UV resistant BPA Free HDPE
Empty weight: 458
Shipping Class: 300
Includes 2 4" tees and gaskets

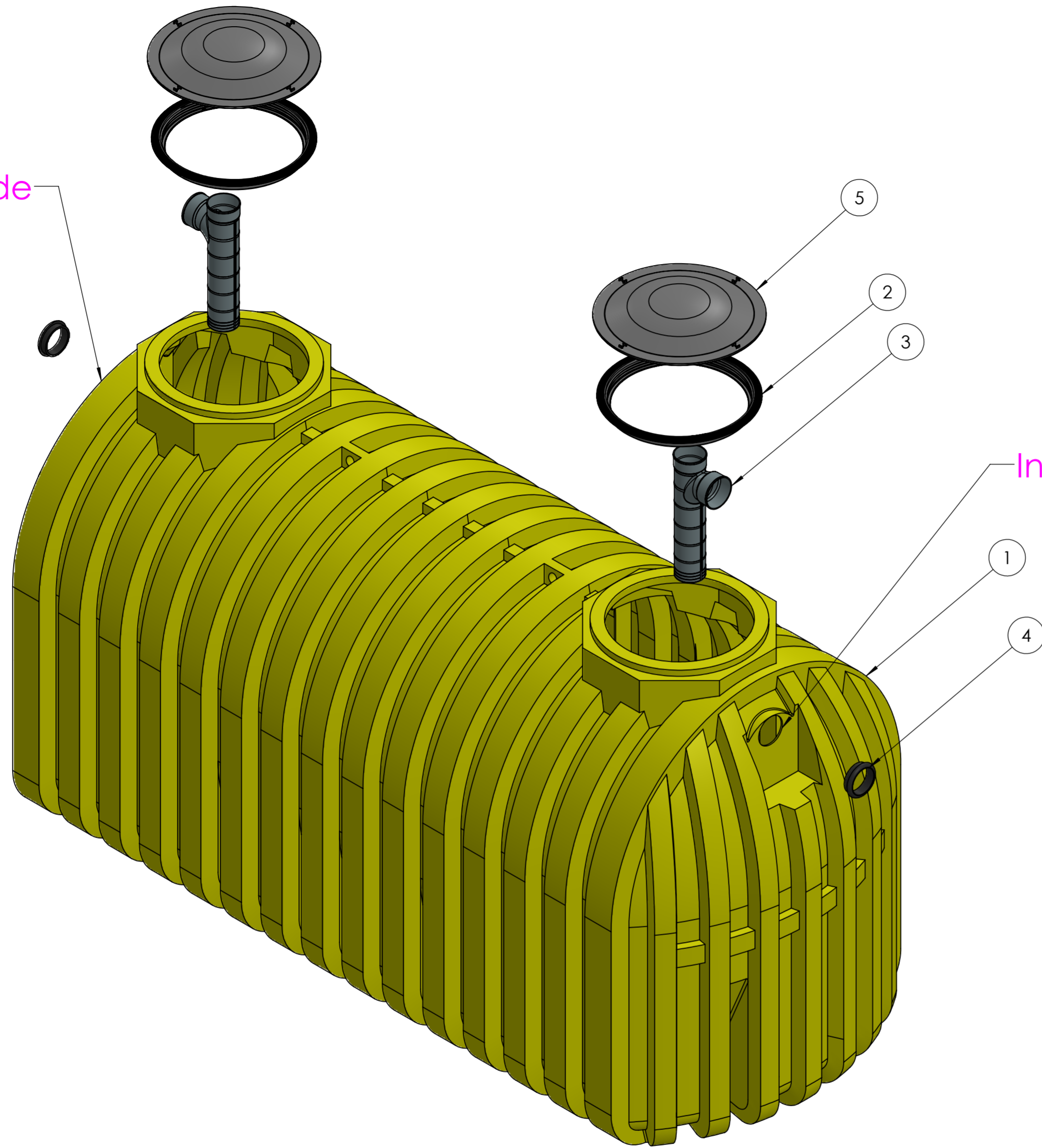


| ITEM # | MFGR PART # | DESCRIPTION | QTY |
|--------|--------------|--------------------------------|-----|
| 1 | 87-41760 | 1500g 2C HDPE Septic Tank | 1 |
| 2 | WTL-001-FM | Tank Adapter Ring | 2 |
| 3 | SPL-BR-004 | 4 Inch Inlet/Outlet Tee | 2 |
| 4 | 85-SPL-ER-G | 4 Inch Gasket | 2 |
| 5 | 85-SPL-001-L | 20" Black Domed Lid; SS Screws | 2 |

| | | | | | | | | | |
|--|------|-----------|------|------------------------------------|--|----------------------|--|---|--|
| UNLESS OTHERWISE SPECIFIED: DIMENSIONS ARE IN MILLIMETERS | | FINISH: | | DEBURR AND BREAK SHARP EDGES | | DO NOT SCALE DRAWING | | REVISION | |
| SURFACE FINISH: | | | | | | | | | |
| TOLERANCES: | | | | | | | | | |
| LINEAR: | | | | | | | | | |
| ANGULAR: | | | | | | | | | |
| DRAWN | NAME | SIGNATURE | DATE | | | TITLE: | | 87-41760 1500 GALLON TWO COMPARTMENT HDPE SEPTIC TANK | |
| CHKD | | | | | | DWG NO. | | A2 | |
| APPVD | | | | | | SCALE:1:20 | | SHEET 1 OF 7 | |
| MFG | | | | | | | | | |
| Q.A. | | | | | | | | | |
| | | | | WEIGHT: | | | | | |

12 11 10 9 8 7 6 5 4 3 2 1

Outlet Side



Inlet Side

Exploded View

Operating Volume (Gls)
 Primary Compartment: 1006
 Secondary Compartment: 494

Complies with FDA standards 21 CFR 177.1520 (1) 3.1 and 3.2
 3 year limited warranty

Municipal and County codes may vary from your state approval.
 Please make sure you consult with your local sanitation department
 or plumber on requirements.

UV resistant BPA Free HDPE
 Empty weight: 458
 Shipping Class: 300
 Includes 2 4" tees and gaskets



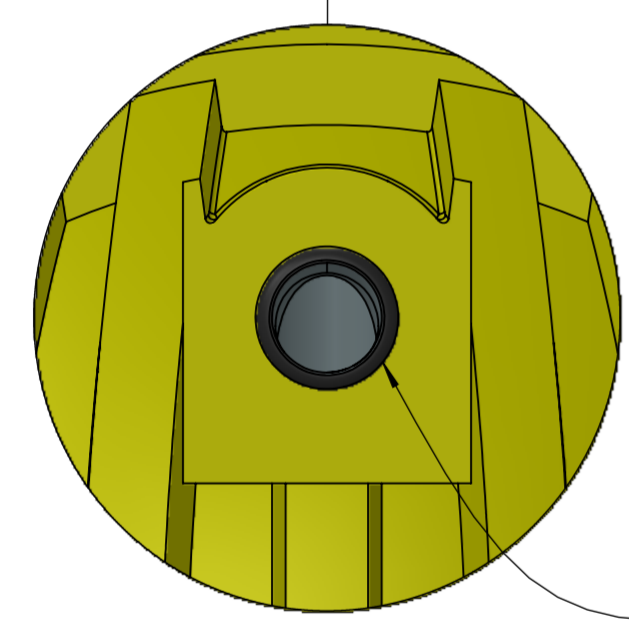
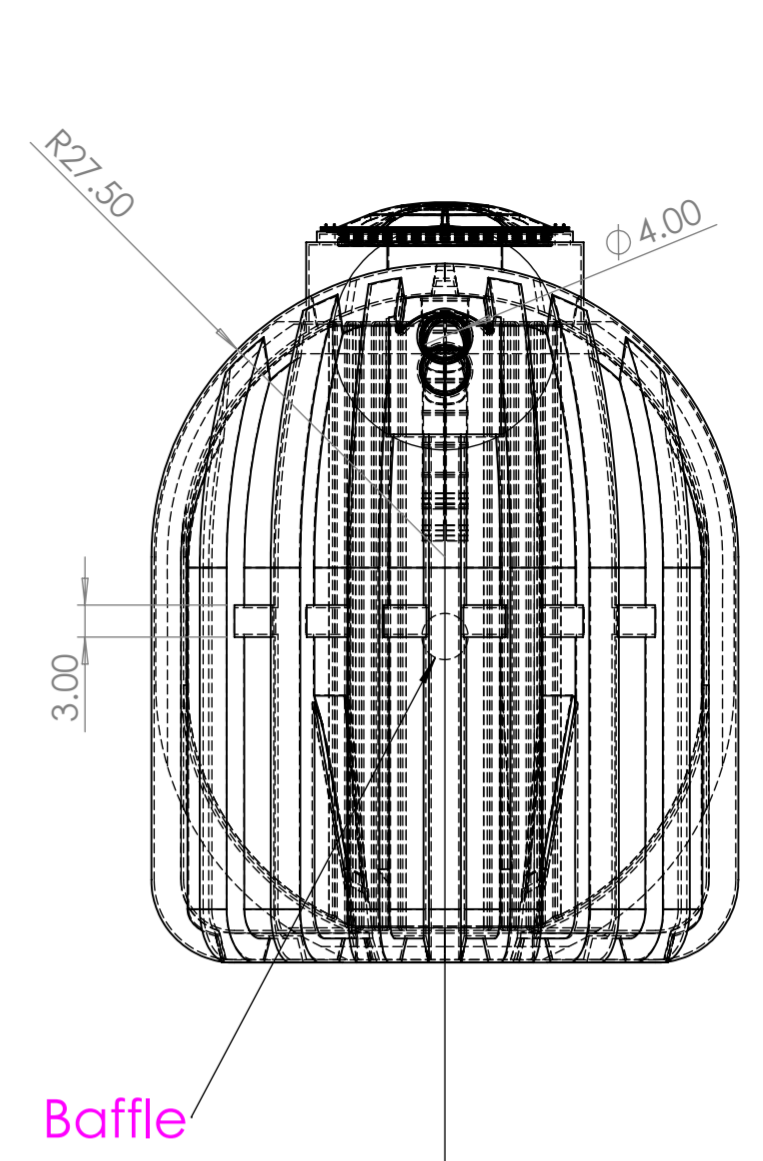
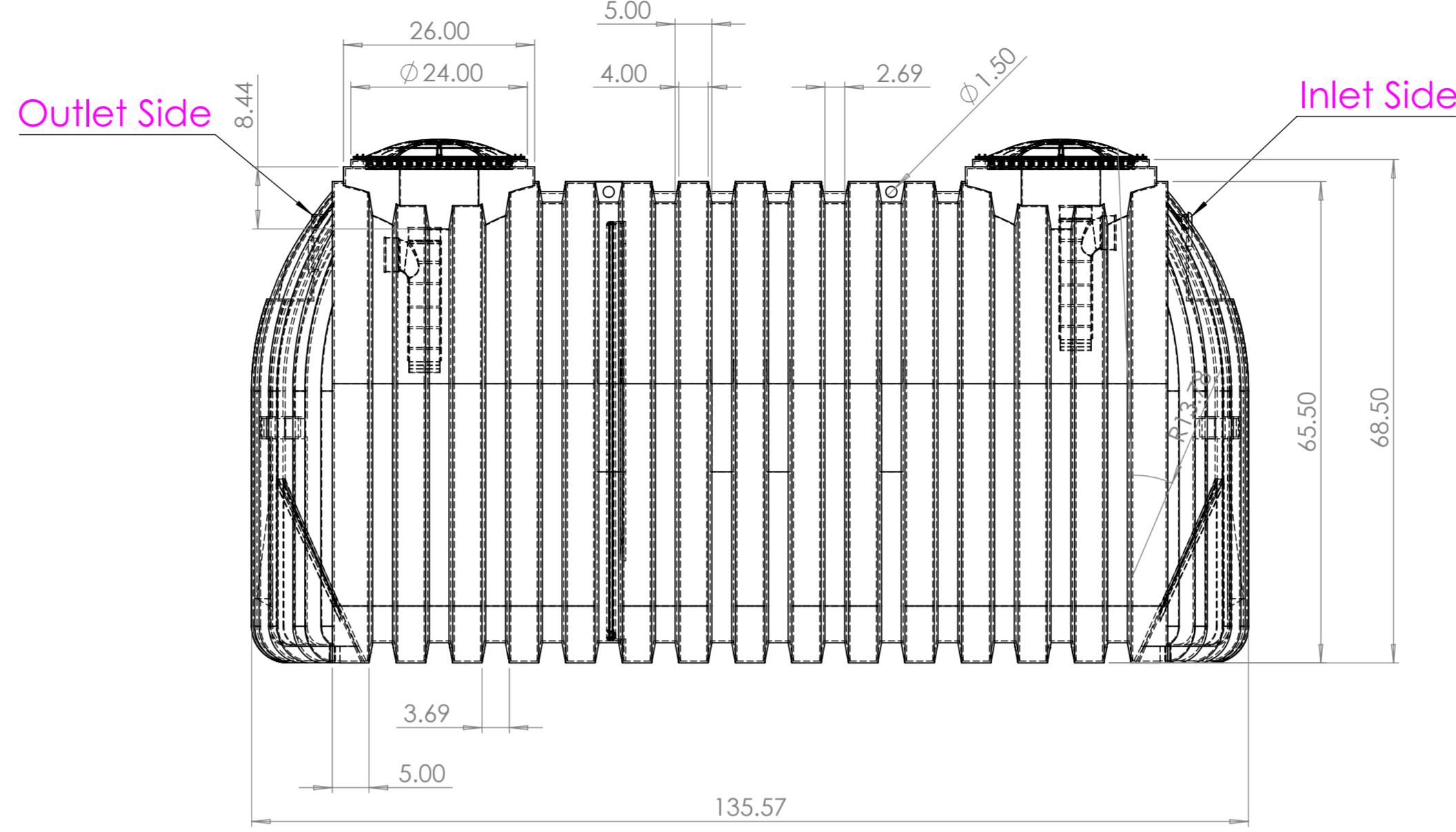
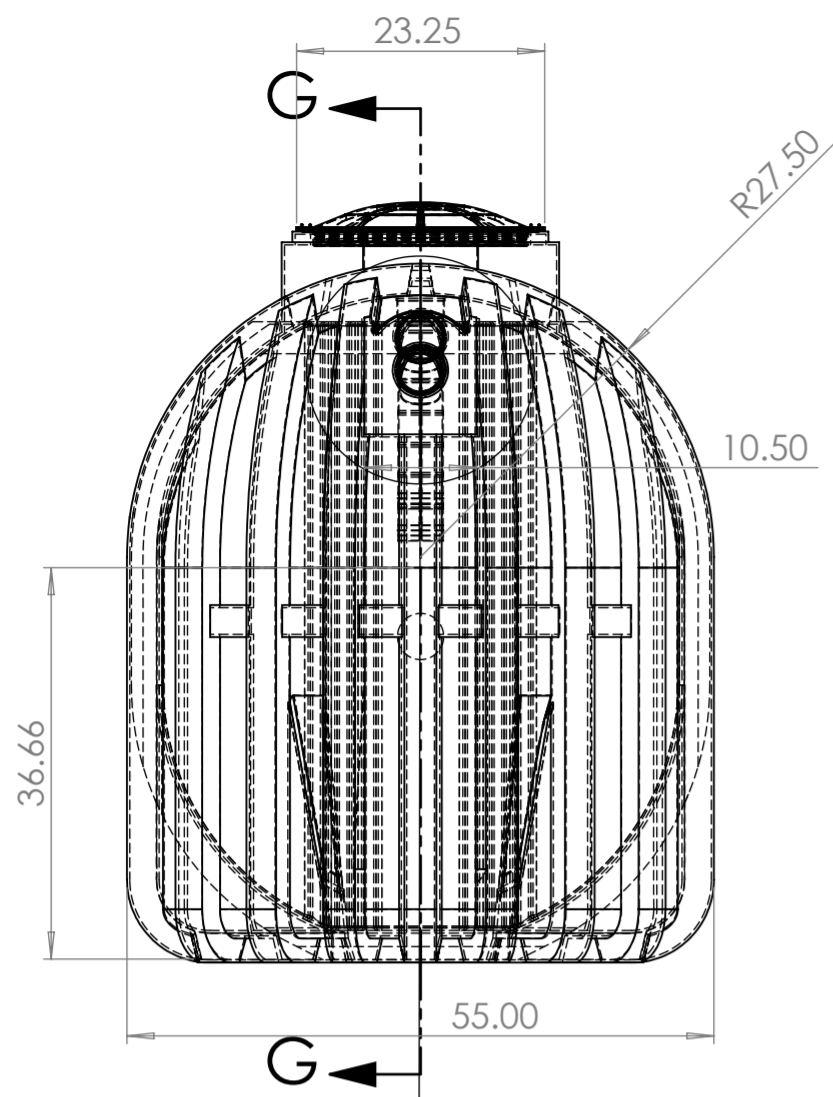
| ITEM # | MFGR PART # | DESCRIPTION | QTY |
|--------|--------------|--------------------------------|-----|
| 1 | 87-41760 | 1500g 2C HDPE Septic Tank | 1 |
| 2 | WTL-001-FM | Tank Adapter Ring | 2 |
| 3 | SPL-BR-004 | 4 Inch Inlet/Outlet Tee | 2 |
| 4 | 85-SPL-ER-G | 4 Inch Gasket | 2 |
| 5 | 85-SPL-001-L | 20" Black Domed Lid; SS Screws | 2 |

| | | | | | | | | | |
|--|--|-----------|-----------|------------------------------------|--|----------------------|---|--------------|----|
| UNLESS OTHERWISE SPECIFIED: DIMENSIONS ARE IN MILLIMETERS | | FINISH: | | DEBURR AND BREAK SHARP EDGES | | DO NOT SCALE DRAWING | | REVISION | |
| SURFACE FINISH: | | | | | | | | | |
| TOLERANCES: | | | | | | | | | |
| LINEAR: | | | | | | | | | |
| ANGULAR: | | | | | | | | | |
| DRAWN | | NAME | SIGNATURE | DATE | | | TITLE: | | |
| CHKD | | | | | | | 87-41760 1500 GALLON TWO COMPARTMENT HDPE SEPTIC TANK | | |
| APPVD | | | | | | | DWG NO. | | A2 |
| MFG | | | | | | | | | |
| Q.A. | | | | | | | | | |
| | | MATERIAL: | | | | | | | |
| | | WEIGHT: | | | | | | SCALE:1:20 | |
| | | | | | | | | SHEET 2 OF 7 | |



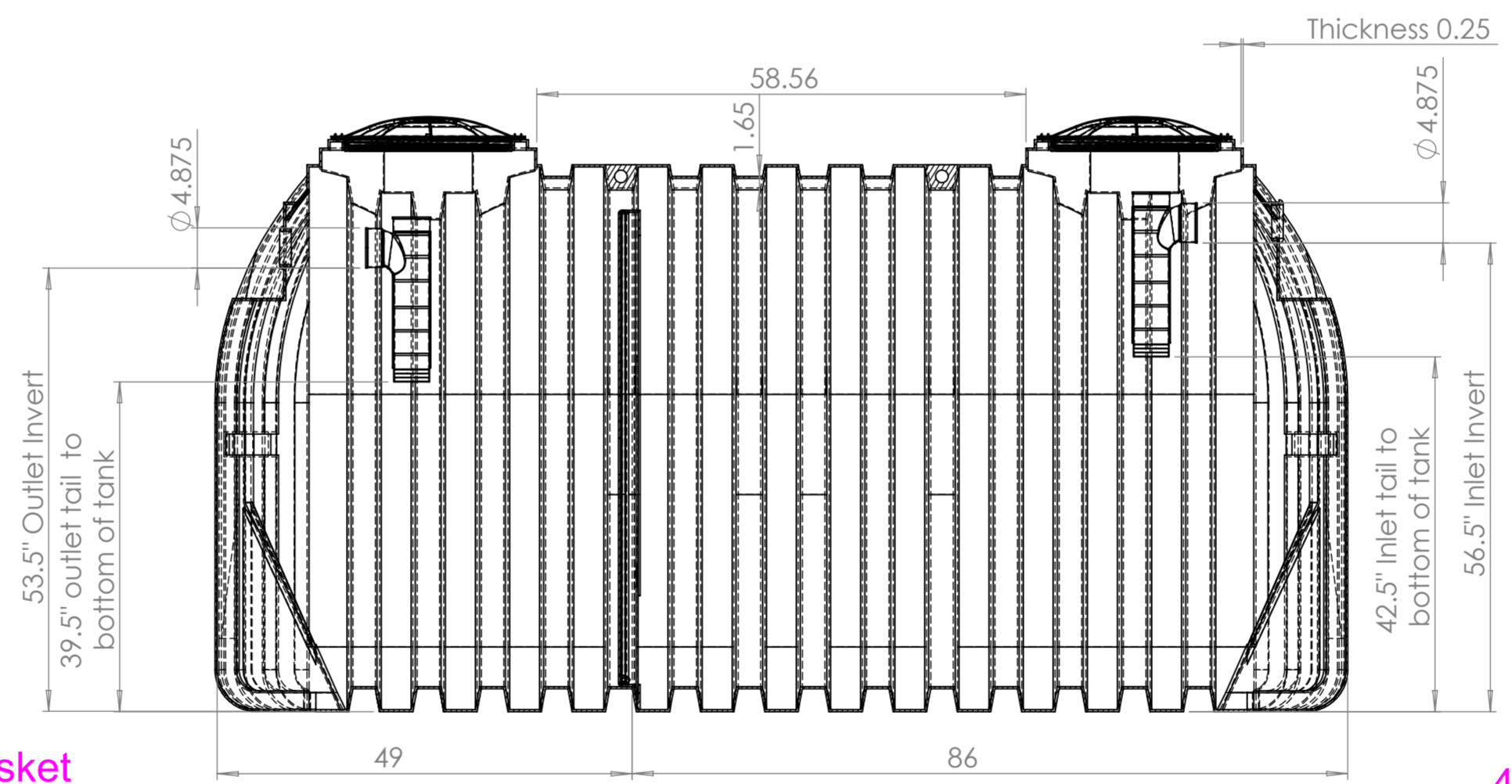
12 11 10 9 8 7 6 5 4 3 2 1

H
G
F
E
D
C
B
A

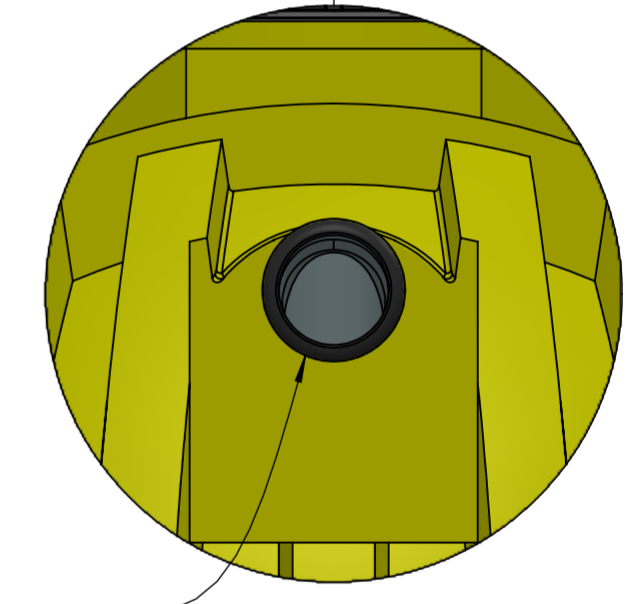


DETAIL K
SCALE 1:7

4" Gasket (Outlet Side)



SECTION G-G
SCALE 1:18



4" Gasket (Inlet Side)

DETAIL J
SCALE 1:7

Operating Volume (Glns)
Primary Compartment: 1006
Secondary Compartment: 494

Complies with FDA standards 21 CFR 177.1520 (1) 3.1 and 3.2
3 year limited warranty

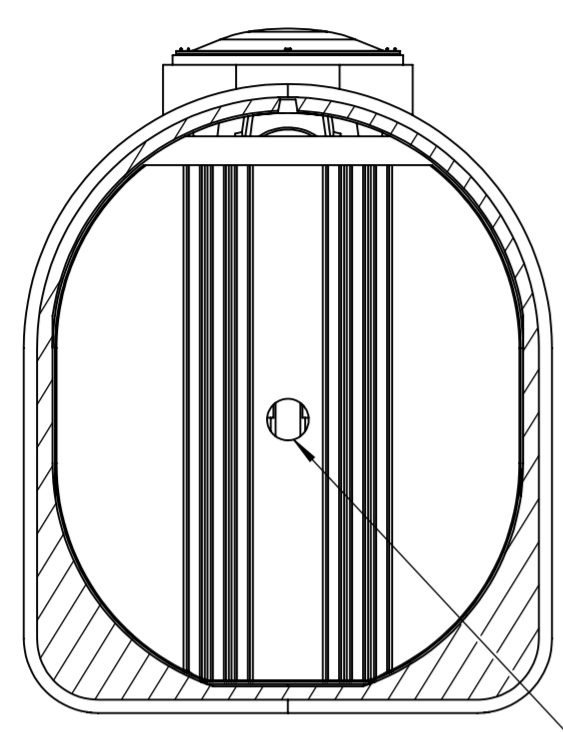
Municipal and County codes may vary from your state approval.
Please make sure you consult with your local sanitation department or plumber on requirements.

UV resistant BPA Free HDPE
Empty weight: 458
Shipping Class: 300
Includes 2 4" tees and gaskets

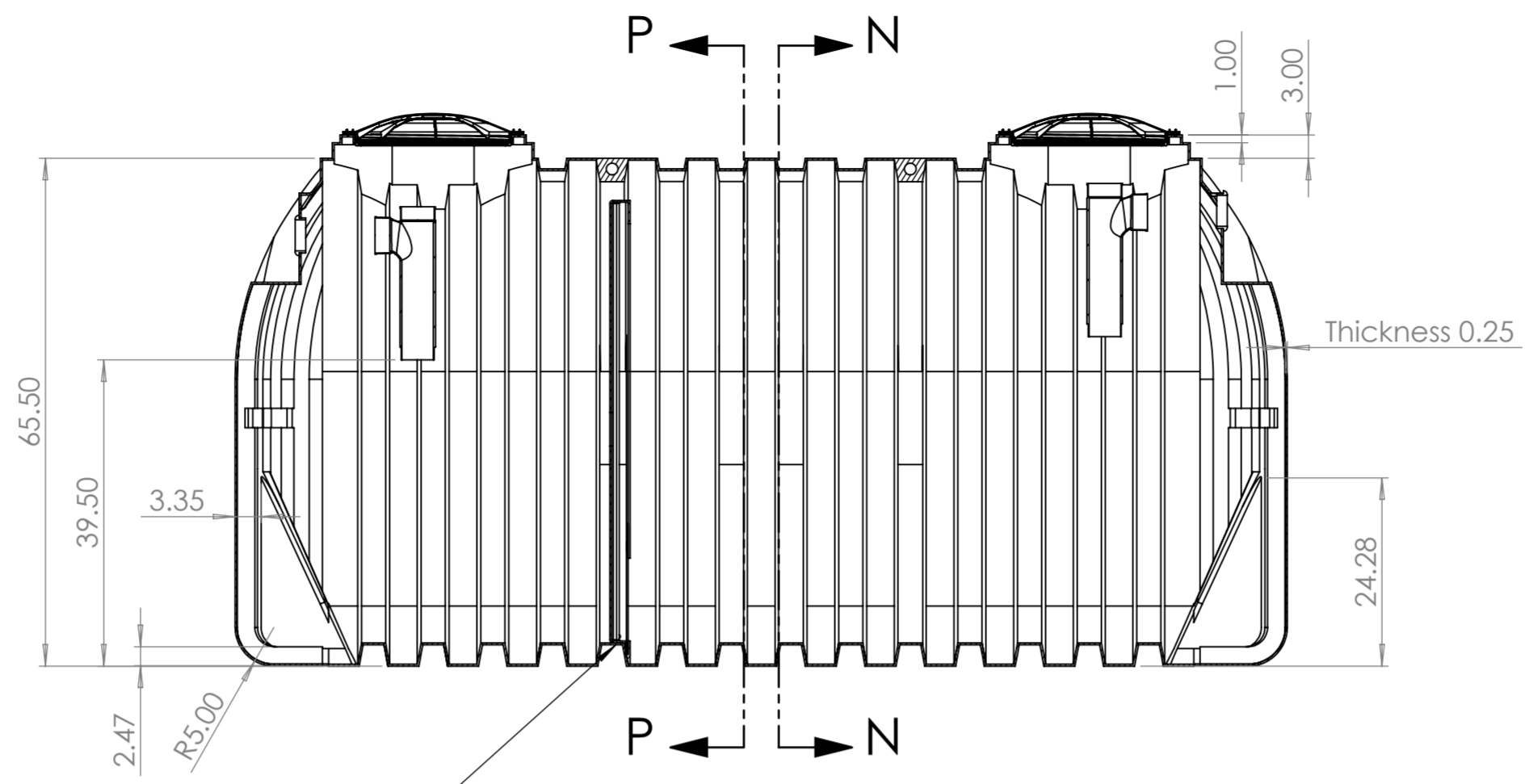


| | | | | | | | | | | | |
|--|--|------|-----------|------|------------------------------|--|----------------------|--|---|--|--|
| UNLESS OTHERWISE SPECIFIED: DIMENSIONS ARE IN MILLIMETERS | | | FINISH: | | DEBURR AND BREAK SHARP EDGES | | DO NOT SCALE DRAWING | | REVISION | | |
| SURFACE FINISH: | | | | | | | | | | | |
| TOLERANCES: | | | | | | | | | | | |
| LINEAR: | | | | | | | | | | | |
| ANGULAR: | | | | | | | | | | | |
| DRAWN | | NAME | SIGNATURE | DATE | | | TITLE: | | 87-41760 1500 GALLON TWO COMPARTMENT HDPE SEPTIC TANK | | |
| CHKD | | | | | | | DWG NO. | | A2 | | |
| APPVD | | | | | | | SCALE:1:20 | | SHEET 3 OF 7 | | |
| MFG | | | | | | | | | | | |
| Q.A. | | | | | | | | | | | |
| WEIGHT: | | | | | | | | | | | |

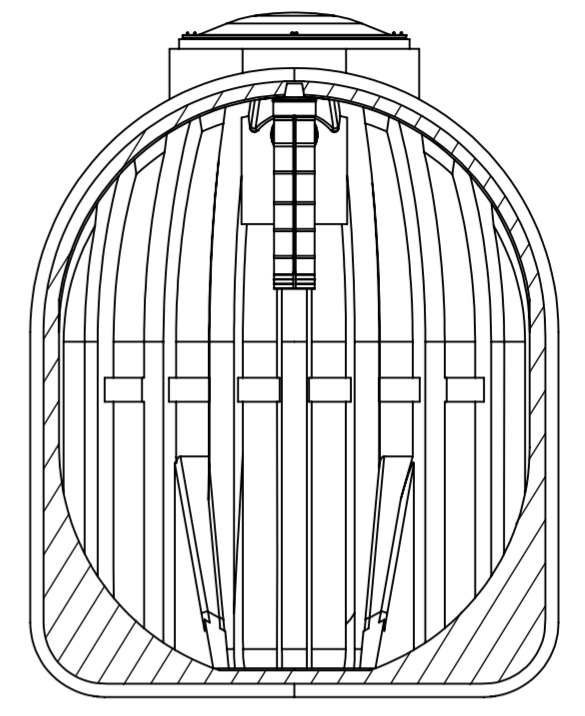
12 11 10 9 8 7 6 5 4 3 2 1



SECTION P-P
Outlet side



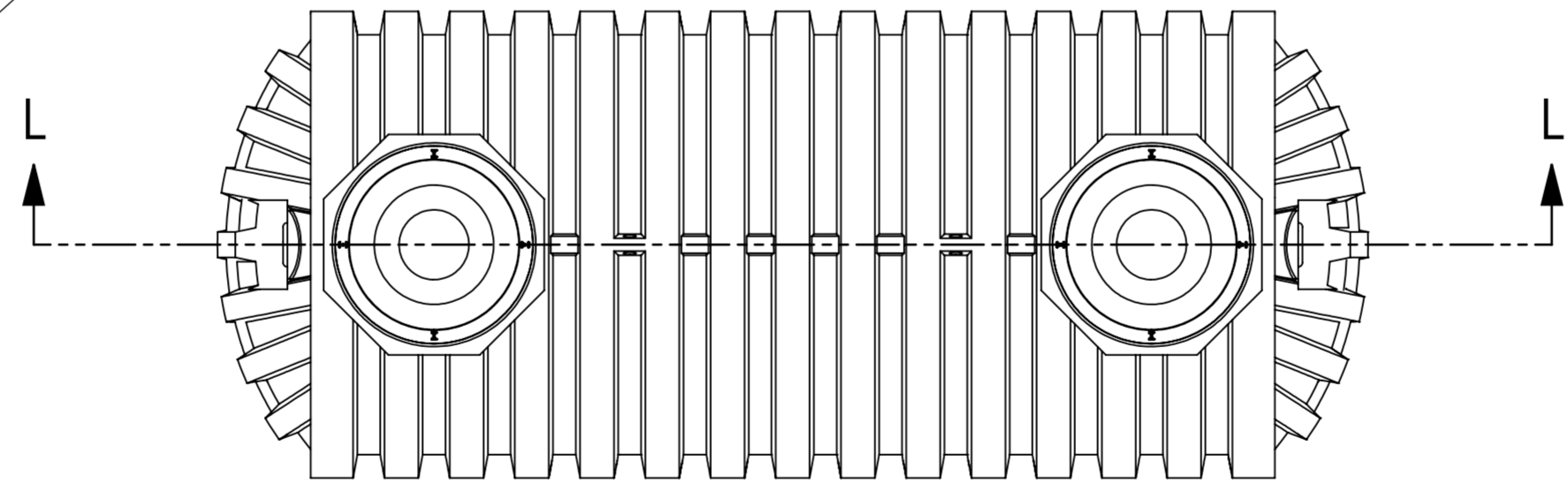
SECTION L-L



SECTION N-N
Inlet side

Baffle

Baffle placement:
86" from side wall to baffle on 2/3 (inlet) side;
49" from side wall to baffle on 1/3 (outlet) side.
59.8" tall x 54.3" wide x 2.6" deep.



Operating Volume (Glns)
Primary Compartment: 1006
Secondary Compartment: 494

Complies with FDA standards 21 CFR 177.1520 (1) 3.1 and 3.2
3 year limited warranty

Municipal and County codes may vary from your state approval.
Please make sure you consult with your local sanitation department
or plumber on requirements.

UV resistant BPA Free HDPE
Empty weight: 458
Shipping Class: 300
Includes 2 4" tees and gaskets

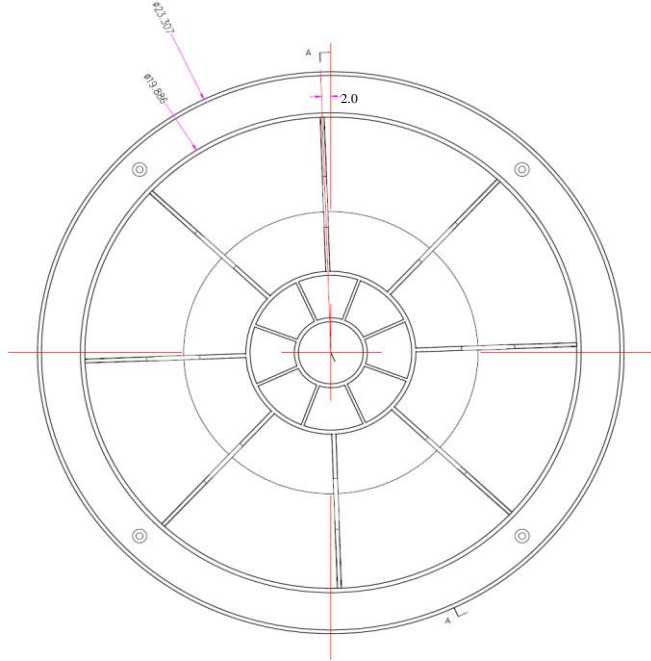


| | | | | | | | | | | | |
|--|------|-----------|---------|--|--|------------------------------------|--|--|---|--|--------------|
| UNLESS OTHERWISE SPECIFIED: DIMENSIONS ARE IN MILLIMETERS | | | FINISH: | | | DEBURR AND BREAK SHARP EDGES | | | DO NOT SCALE DRAWING | | REVISION |
| SURFACE FINISH: | | | LINEAR: | | | ANGULAR: | | | TITLE: 87-41760 1500 GALLON TWO COMPARTMENT HDPE SEPTIC TANK | | |
| DRAWN | NAME | SIGNATURE | DATE | | | | | | DWG NO. | | A2 |
| CHKD | | | | | | | | | SCALE: 1:20 | | SHEET 4 OF 7 |
| APPVD | | | | | | | | | | | |
| MFG | | | | | | | | | | | |
| Q.A. | | | | | | | | | | | |
| MATERIAL: | | | WEIGHT: | | | | | | | | |

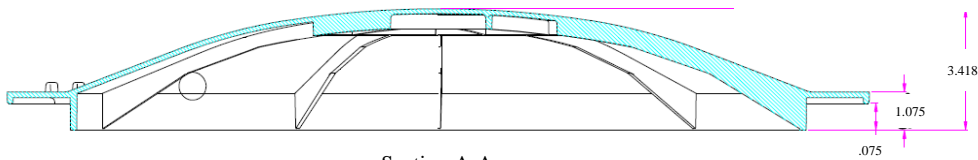
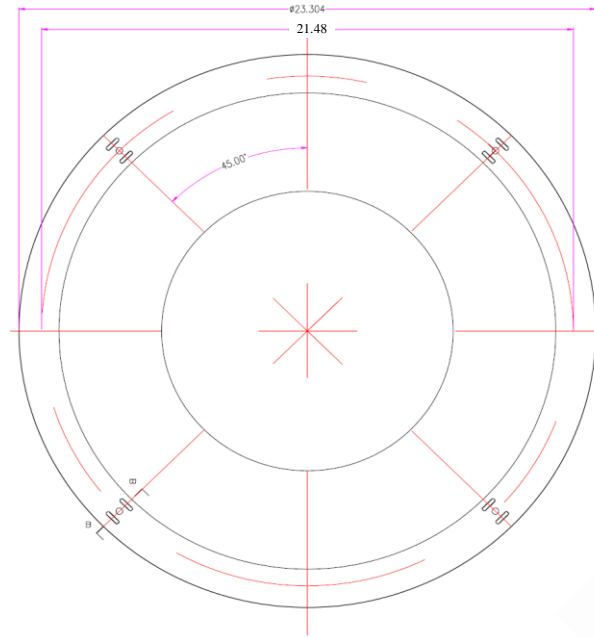


Valencia Pipe Company
 20" Domed Septic Tank Lid Assembly
 Model # SPL-001-L

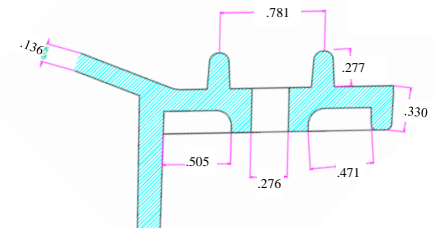
Top View



Bottom View



Section A-A
 Side View



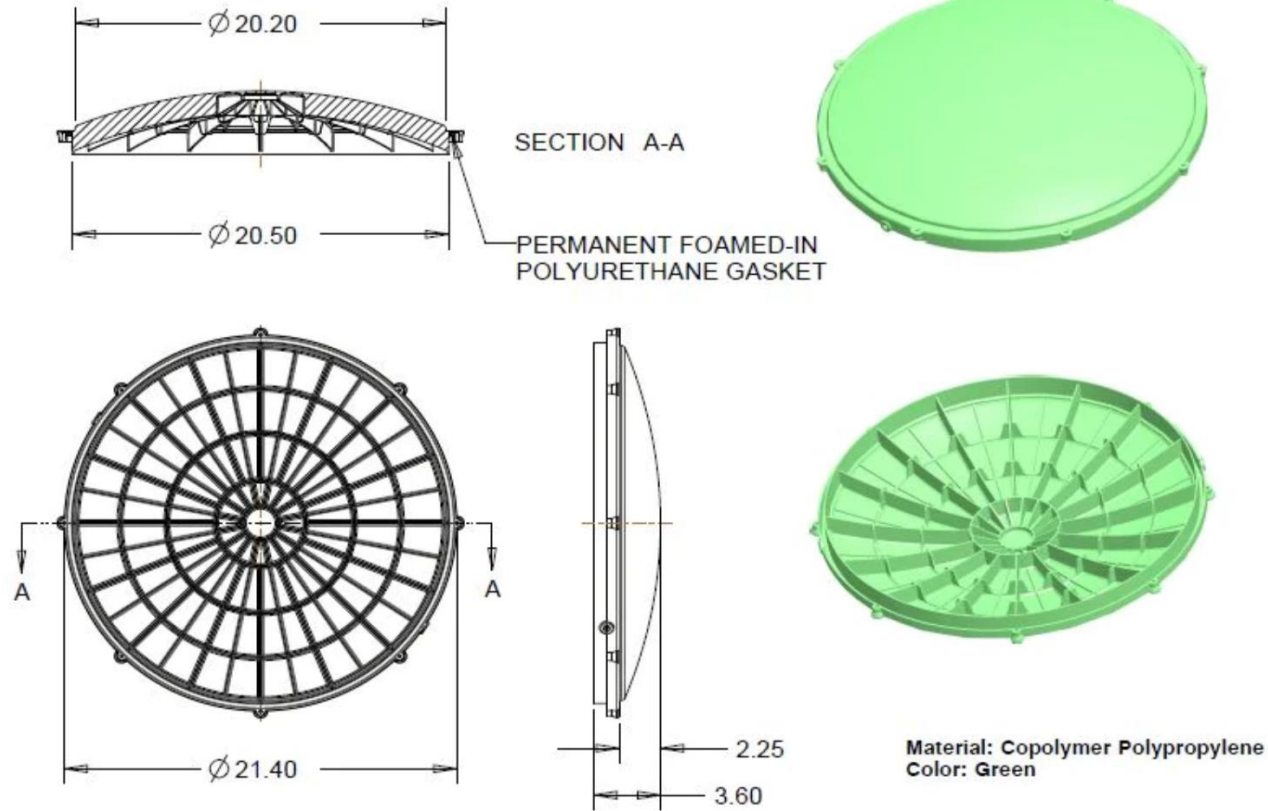
Section B-B
 Edge Cross Section

| Item # | Mfgr Part # | Description | Qty |
|--------|-------------|-------------|-----|
| 1 | SPL-001 | Black lid | 1 |

| | | | | | | |
|--|---------|-----------|------|--|----------------------|---------------|
| UNLESS OTHERWISE SPECIFIED: DIMENSIONS ARE IN INCHES SURFACE FINISH: TOLERANCES: LINEAR: ANGULAR: | FINISH: | | | DEBURR AND BREAK SHARP EDGES | DO NOT SCALE DRAWING | REVISION |
| | | | | | | |
| | NAME | SIGNATURE | DATE | TITLE: | | |
| DRAWN | | | | | | |
| CHKD | | | | | | |
| APPV'D | | | | | | |
| MFG | | | | MATERIAL: High Density Polyethylene (HDPE) | | |
| QA | | | | WEIGHT: 2 lbs. | SCALE: | SHEET: 1 OF 1 |



Valencia Pipe Company
 20" Green Domed Septic Tank Lid
 Model # 89-RISL-GRN

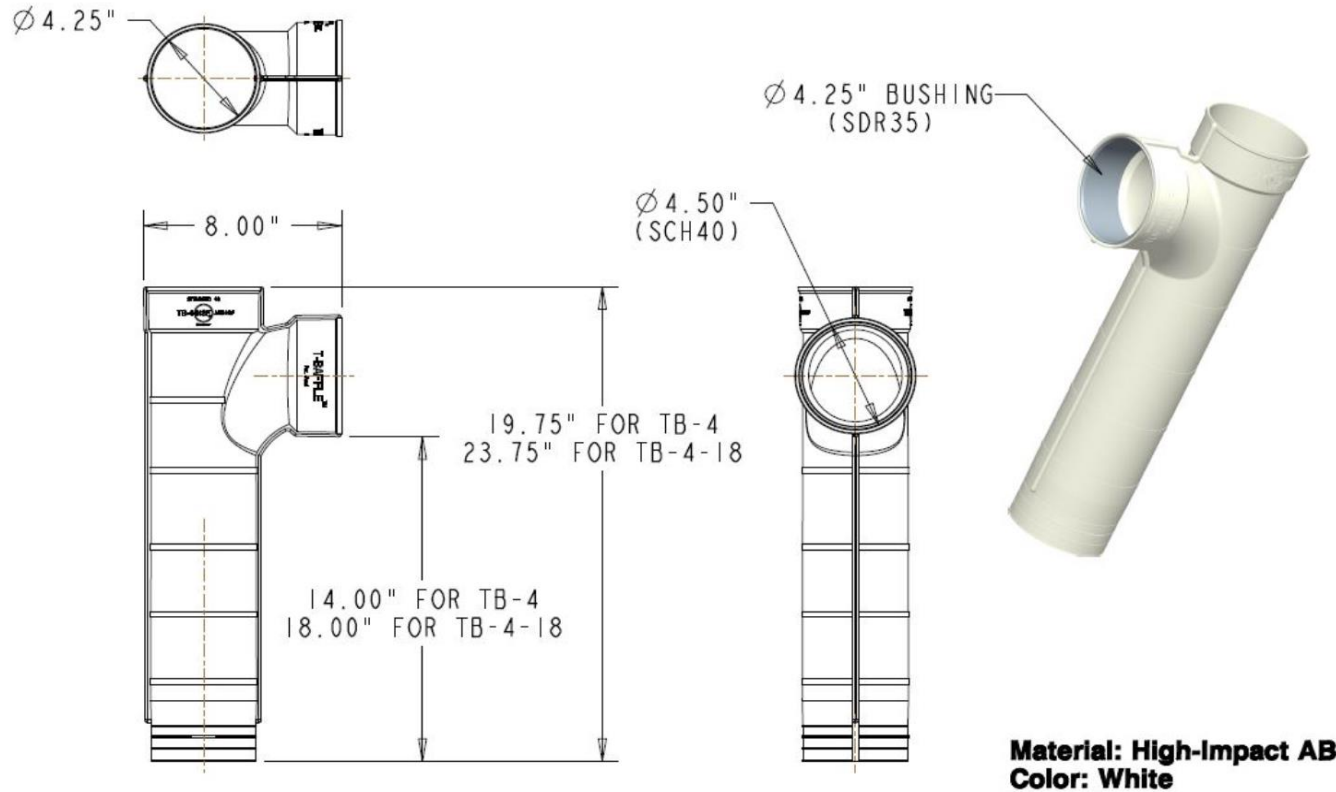


| Item # | Mfgr Part # | Description | Qty |
|--------|-------------|------------------------|-----|
| 1 | 89-RISL-GRN | Tuf Tite 20" Domed Lid | 1 |

| | | | | | | |
|--|----------|-----------|------------|------------------------------------|----------------------|---------------|
| UNLESS OTHERWISE SPECIFIED: DIMENSIONS ARE IN INCHES SURFACE FINISH: TOLERANCES: LINEAR: ANGULAR: | FINISH: | | | DEBURR AND BREAK SHARP EDGES | DO NOT SCALE DRAWING | REVISION |
| | | | | | | |
| | NAME | SIGNATURE | DATE | TITLE: | | |
| DRAWN | Tuf-Tite | | | | | |
| CHKD | D. Simon | | April 2024 | | | |
| APPV'D | | | | | | |
| MFG | | | | MATERIAL: Copolymer Polypropylene | | |
| QA | | | | WEIGHT: 3.5 lbs. | SCALE: | SHEET: 1 OF 1 |



Valencia Pipe Company
 4" Baffle Tee
 Model # SPL-ER-004



Material: High-Impact ABS
Color: White

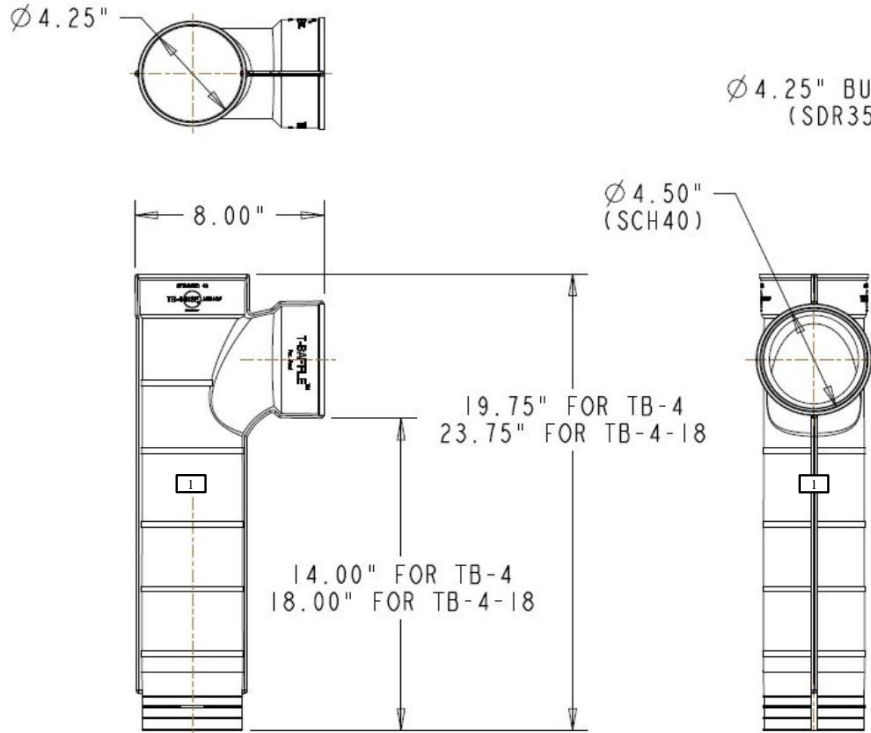
| Item # | Mfgr Part # | Description | Qty |
|--------|-------------|----------------------------------|-----|
| 1 | SPL-ER-004 | 4" white ABS ANSI/NSF baffle tee | 1 |

| | | | | | | |
|--|----------|-----------|------------|------------------------------------|----------------------|---------------|
| UNLESS OTHERWISE SPECIFIED: DIMENSIONS ARE IN INCHES SURFACE FINISH: TOLERANCES: LINEAR: ANGULAR: | FINISH: | | | DEBURR AND BREAK SHARP EDGES | DO NOT SCALE DRAWING | REVISION |
| | | | | | | |
| | NAME | SIGNATURE | DATE | TITLE: | | |
| DRAWN | Tuf-Tite | | | | | |
| CHKD | D. Simon | | April 2024 | | | |
| APPV'D | | | | | | |
| MFG | | | | MATERIAL: | | |
| QA | | | | WEIGHT: 1 lb 3 oz | SCALE: | SHEET: 1 OF 1 |



Valencia Pipe Company
4" Baffle Tee
Model # 89-EF4COMBO

1



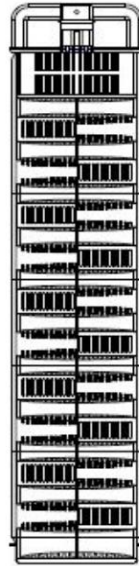
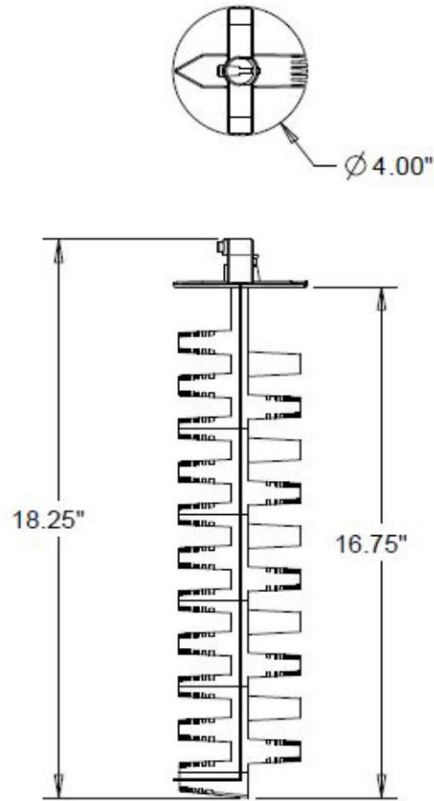
Material: High-Impact ABS
Color: White

| Item # | Mfgr Part # | Description | Qty |
|--------|-------------|------------------------------------|-----|
| 1 | 89-EF4 | 4" white ABS ANSI/NSF baffle tee | 1 |
| 2 | 89-B4035 | Sch 40 to SDR-35 Bushing | 1 |
| 3 | SPL-ER-G | 4" black rubber gasket | 1 |
| 4 | 89-EF4 | 4" Yellow Effluent Filter | 1 |
| 5 | 89-SD4 | 4" White PVC Solid Waste Deflector | 1 |

| | | | | | | | |
|--|----------|-----------|------------|------------------------------------|----------------------|--------|---------------|
| UNLESS OTHERWISE SPECIFIED: DIMENSIONS ARE IN INCHES SURFACE FINISH: TOLERANCES: LINEAR: ANGULAR: | FINISH: | | | DEBURR AND BREAK SHARP EDGES | DO NOT SCALE DRAWING | | REVISION |
| | TITLE: | | | | | | |
| DRAWN | NAME | SIGNATURE | DATE | | | | |
| CHKD | Tuf-Tite | | April 2024 | | | | |
| APPV'D | D. Simon | | | | | | |
| MFG | | | | MATERIAL: | | | |
| QA | | | | WEIGHT: 4.04 lbs | | SCALE: | SHEET: 1 OF 1 |



Valencia Pipe Company
4" Effluent Filter
Model 89-EF4



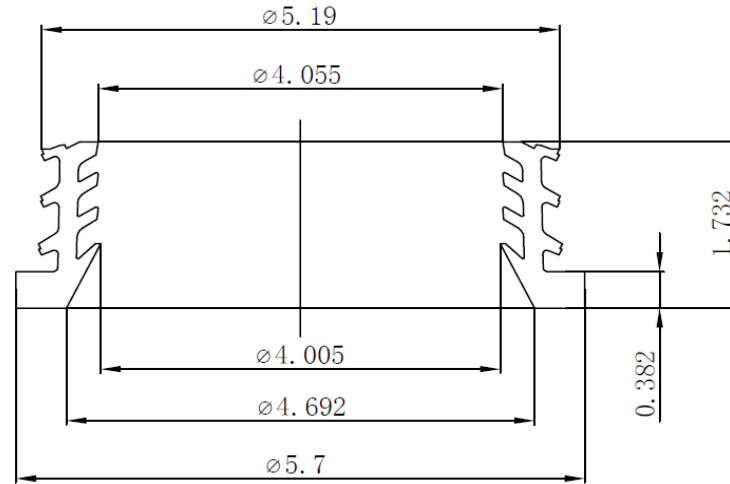
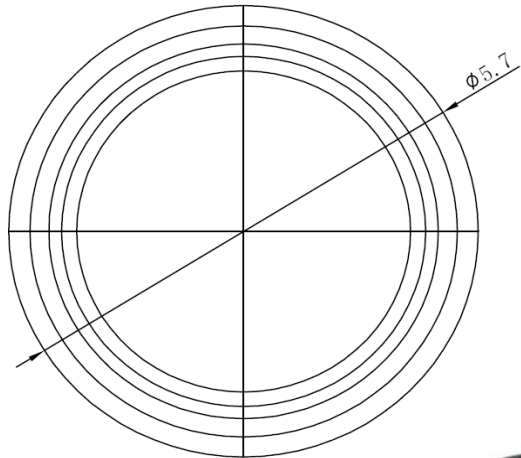
Material: High-Impact Polypropylene
Color: Yellow

| Item # | Mfgr Part # | Description | Qty |
|--------|-------------|---------------------------|-----|
| 1 | 89-EF4 | 4" Yellow Effluent Filter | 1 |

| | | | | | | |
|--|----------|-----------|------------|------------------------------------|----------------------|---------------|
| UNLESS OTHERWISE SPECIFIED: DIMENSIONS ARE IN INCHES SURFACE FINISH: TOLERANCES: LINEAR: ANGULAR: | FINISH: | | | DEBURR AND BREAK SHARP EDGES | DO NOT SCALE DRAWING | REVISION |
| | | | | | | |
| | NAME | SIGNATURE | DATE | TITLE: | | |
| DRAWN | Tuf-Tite | | | | | |
| CHKD | D. Simon | | April 2024 | | | |
| APPV'D | | | | | | |
| MFG | | | | MATERIAL: | | |
| QA | | | | WEIGHT: 15 oz. | SCALE: | SHEET: 1 OF 1 |



Valencia Pipe Company
 4" Baffle Tee Gasket
 Model # SPL-ER-G

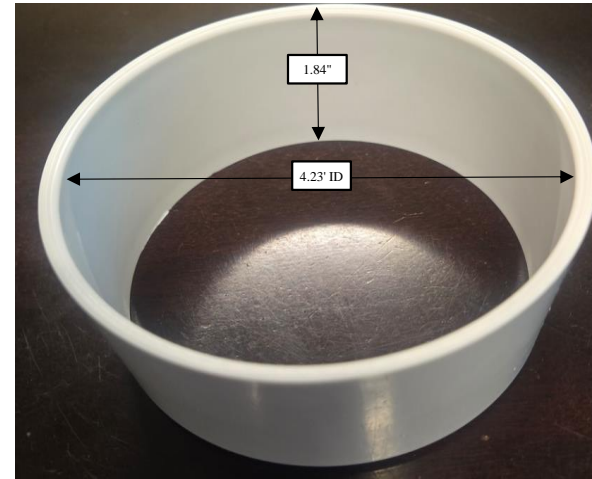
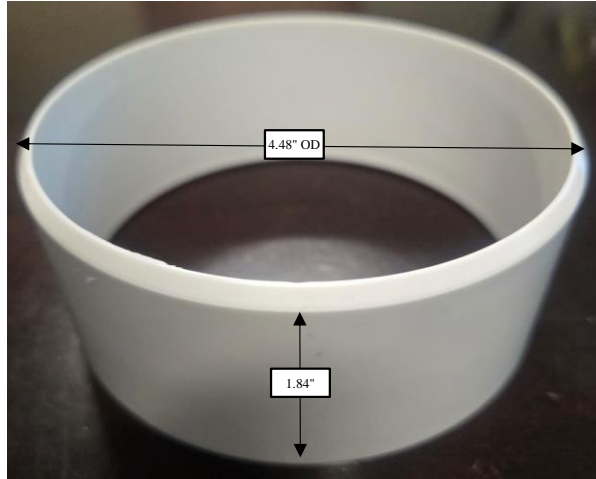


| Item # | Mfgr Part # | Description | Qty |
|--------|-------------|--|-----|
| 1 | SPL-ER-G | 4" black rubber gasket, ASTM C-564 and ASTM C-1563 | 1 |

| | | | | | |
|--|----------|-----------|------------------------------------|----------------------|---------------|
| UNLESS OTHERWISE SPECIFIED: DIMENSIONS ARE IN INCHES SURFACE FINISH: TOLERANCES: LINEAR: ANGULAR: | FINISH: | | DEBURR AND BREAK SHARP EDGES | DO NOT SCALE DRAWING | REVISION |
| | | | | | |
| | NAME | SIGNATURE | DATE | TITLE: | |
| DRAWN | | | | | |
| CHKD | D. Simon | | April 2024 | | |
| APPV'D | | | | | |
| MFG | | | | MATERIAL: | |
| QA | | | | WEIGHT: 7.5 oz. | SCALE: |
| | | | | | SHEET: 1 OF 1 |



Valencia Pipe Company
 Schedule 4 to SDR-35 Bushing
 Model # 89-B4035

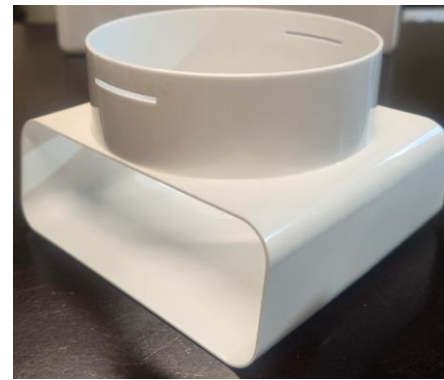
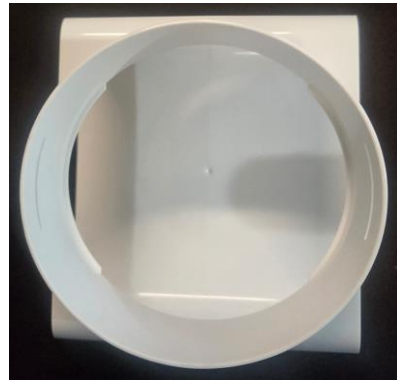
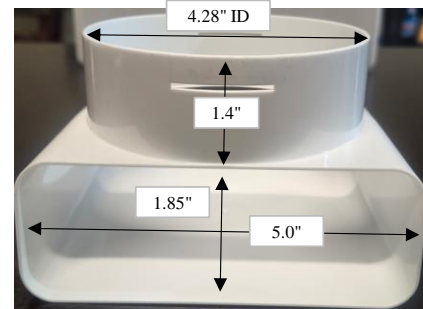
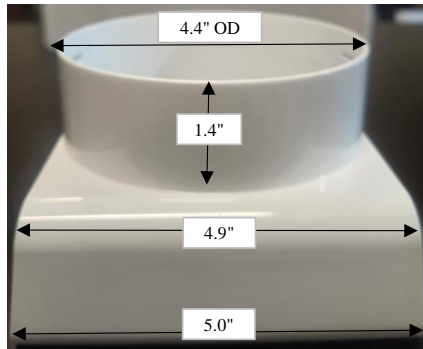


| Item # | Mfgr Part # | Description | Qty |
|--------|-------------|--------------------------|-----|
| 1 | 89-B4035 | Sch 40 to SDR-35 Bushing | 1 |

| | | | | | | |
|--|----------|-----------|------------|------------------------------------|----------------------|---------------|
| UNLESS OTHERWISE SPECIFIED: DIMENSIONS ARE IN INCHES SURFACE FINISH: TOLERANCES: LINEAR: ANGULAR: | FINISH: | | | DEBURR AND BREAK SHARP EDGES | DO NOT SCALE DRAWING | REVISION |
| | | | | | | |
| | NAME | SIGNATURE | DATE | TITLE: | | |
| DRAWN | Tuf-Tite | | | | | |
| CHKD | D. Simon | | April 2024 | | | |
| APPV'D | | | | | | |
| MFG | | | | MATERIAL: | | |
| QA | | | | WEIGHT: 2 oz. | SCALE: | SHEET: 1 OF 1 |



Valencia Pipe Company
 4" Solid Waste Deflector
 Model # 89-SD4

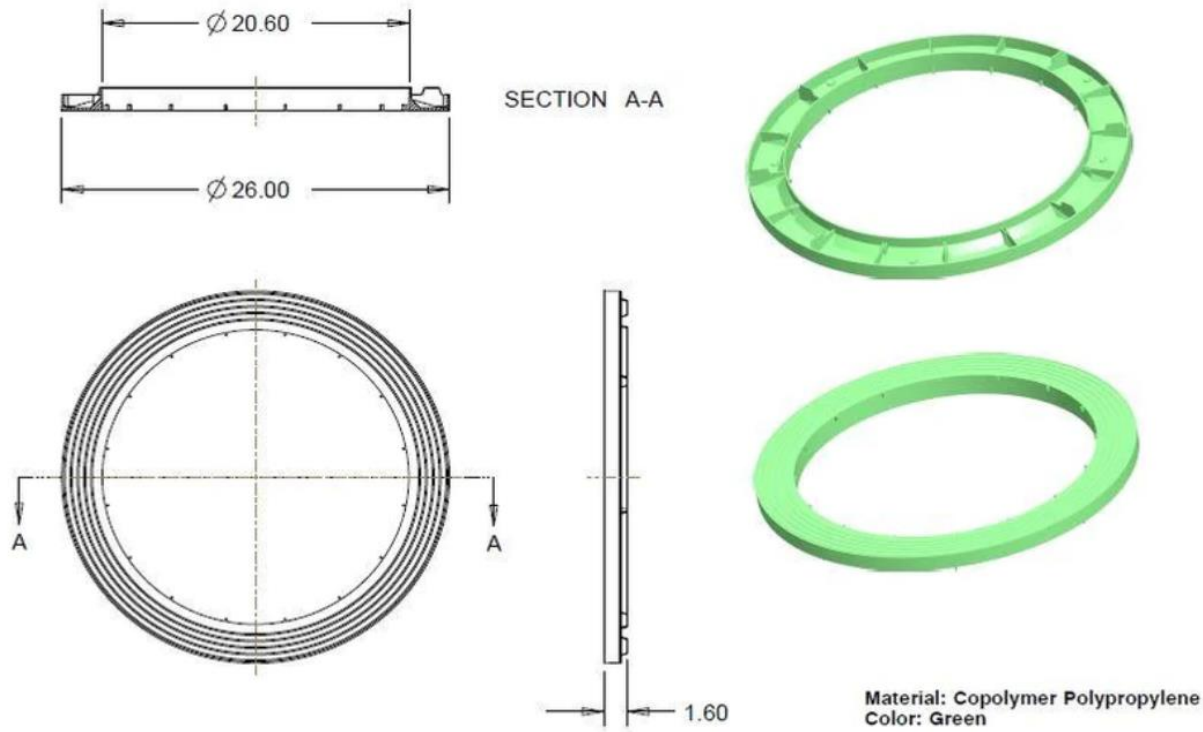


| Item # | Mfgr Part # | Description | Qty |
|--------|-------------|------------------------------------|-----|
| 1 | 89-SD4 | 4" White PVC Solid Waste Deflector | 1 |

| | | | | | | |
|--|----------|-----------|------------|------------------------------------|----------------------|---------------|
| UNLESS OTHERWISE SPECIFIED: DIMENSIONS ARE IN INCHES SURFACE FINISH: TOLERANCES: LINEAR: ANGULAR: | FINISH: | | | DEBURR AND BREAK SHARP EDGES | DO NOT SCALE DRAWING | REVISION |
| | | | | | | |
| | NAME | SIGNATURE | DATE | TITLE: | | |
| DRAWN | Tuf-Tite | | | | | |
| CHKD | D. Simon | | April 2024 | | | |
| APPV'D | | | | | | |
| MFG | | | | MATERIAL: | | |
| QA | | | | WEIGHT: 3.1 oz. | SCALE: | SHEET: 1 OF 1 |



Valencia Pipe Company
 20" Tank to Riser Adapter - Green
 Model # 89-20RTT

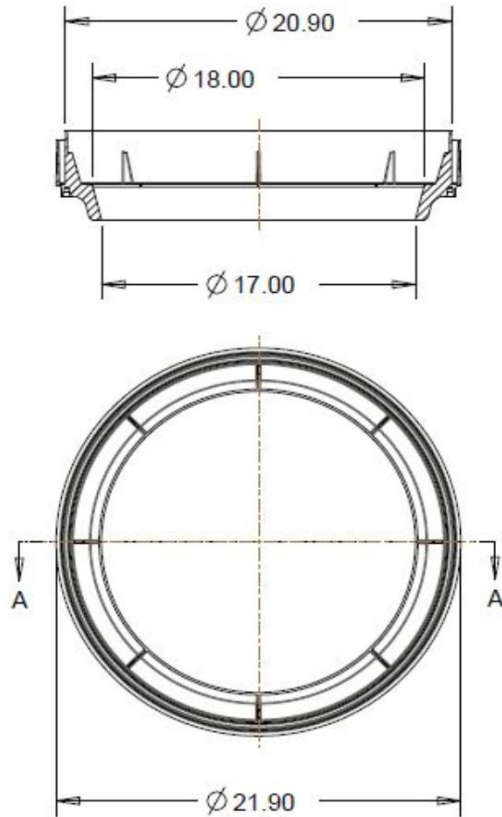


| Item # | Mfgr Part # | Description | Qty |
|--------|-------------|-----------------------------------|-----|
| 1 | 89-20RTT | 20" Tank to Riser Adapter - Green | 1 |

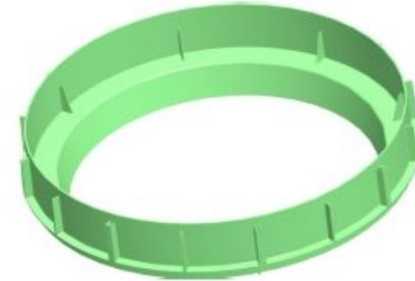
| | | | | | | |
|--|----------|-----------|------------|------------------------------------|----------------------|---------------|
| UNLESS OTHERWISE SPECIFIED: DIMENSIONS ARE IN INCHES SURFACE FINISH: TOLERANCES: LINEAR: ANGULAR: | FINISH: | | | DEBURR AND BREAK SHARP EDGES | DO NOT SCALE DRAWING | REVISION |
| | | | | | | |
| | NAME | SIGNATURE | DATE | TITLE: | | |
| DRAWN | Tuf-Tite | | | | | |
| CHKD | D. Simon | | April 2024 | | | |
| APPV'D | | | | | | |
| MFG | | | | MATERIAL: | | |
| QA | | | | WEIGHT: 1 lb, 3 oz | SCALE: | SHEET: 1 OF 1 |



Valencia Pipe Company
 3" x 20" Riser / Safety Pan - Green
 Model 89-20RISP



SECTION A-A



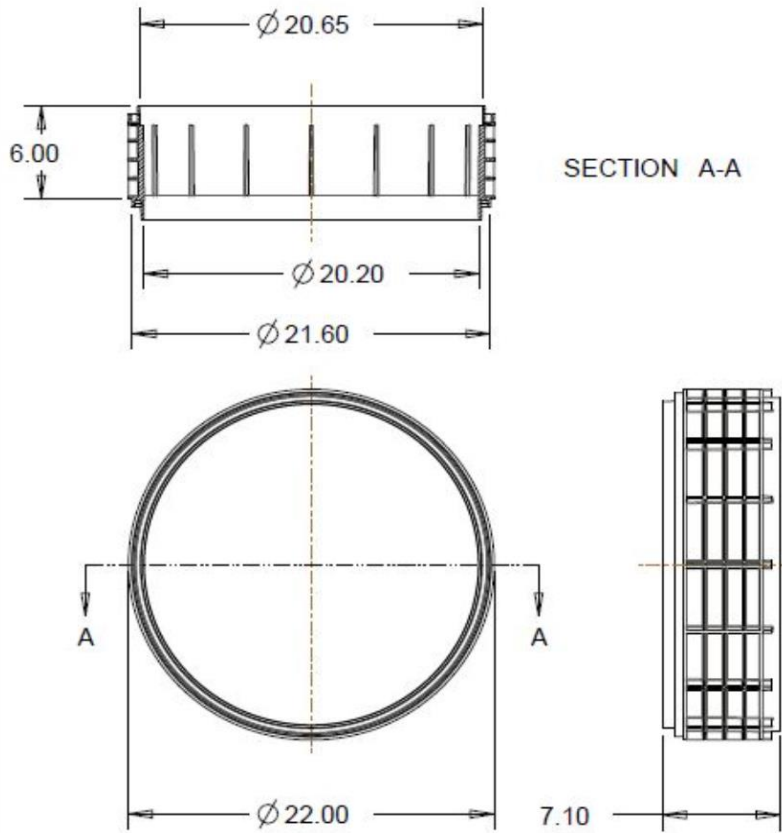
Material: Copolymer Polypropylene
 Color: Green

| Item # | Mfgr Part # | Description | Qty |
|--------|-------------|--|-----|
| 1 | 89-20RISP | 3" x 20" diameter green riser / safety pan | 1 |

| | | | | | | |
|--|----------|-----------|------------|------------------------------------|----------------------|---------------|
| UNLESS OTHERWISE SPECIFIED: DIMENSIONS ARE IN INCHES SURFACE FINISH: TOLERANCES: LINEAR: ANGULAR: | FINISH: | | | DEBURR AND BREAK SHARP EDGES | DO NOT SCALE DRAWING | REVISION |
| | | | | | | |
| | NAME | SIGNATURE | DATE | TITLE: | | |
| DRAWN | Tuf-Tite | | | | | |
| CHKD | D. Simon | | April 2024 | | | |
| APPV'D | | | | | | |
| MFG | | | | MATERIAL: | | |
| QA | | | | WEIGHT: 2.65 lbs. | SCALE: | SHEET: 1 OF 1 |



Valencia Pipe Company
 6" x 20" Riser Green
 Model # 89-20RIS6



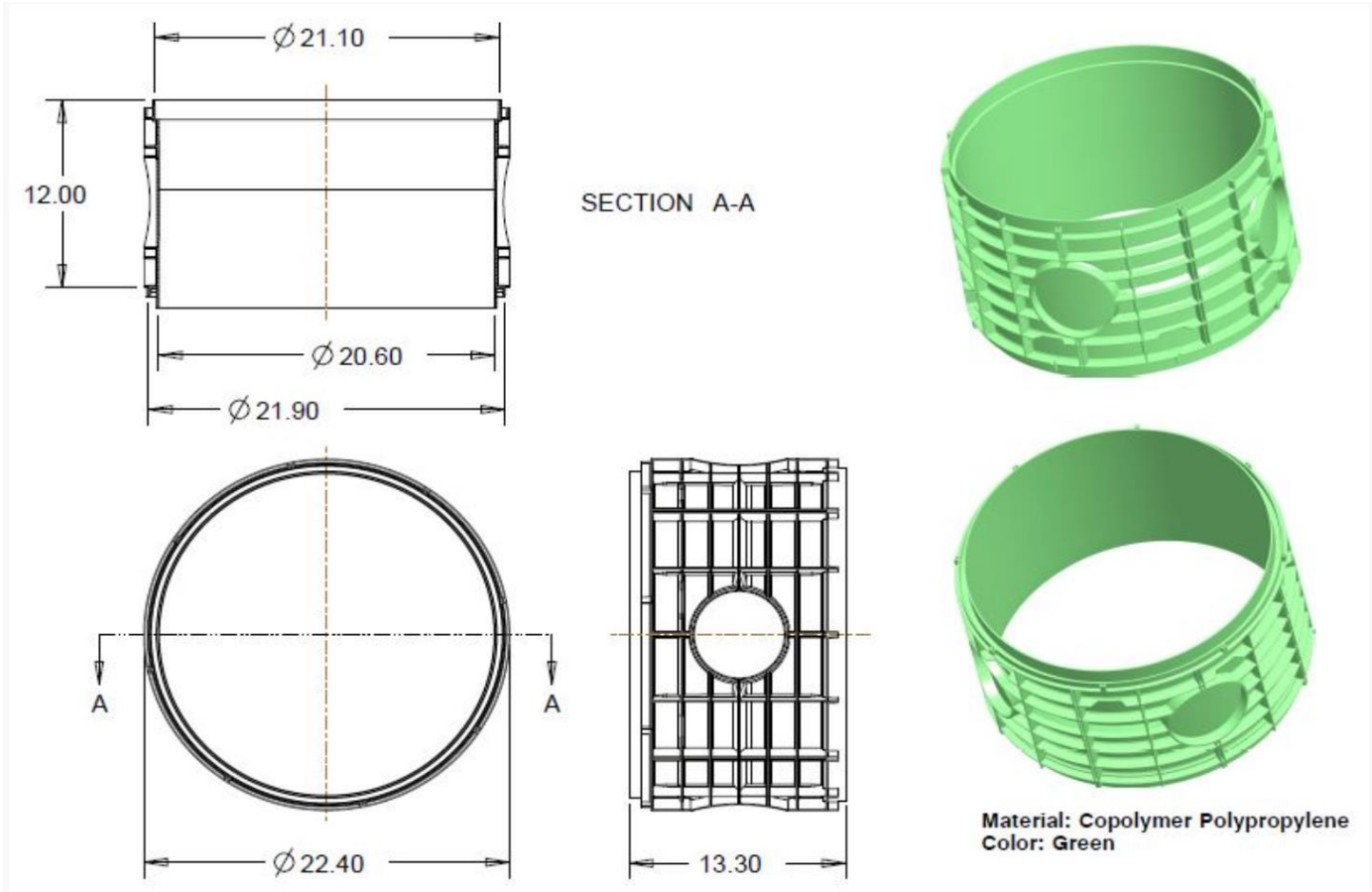
Material: Copolymer Polypropylene
Color: Green

| Item # | Mfgr Part # | Description | Qty |
|--------|-------------|-------------------------------|-----|
| 1 | 89-20RIS6 | 6" x 20" diameter green riser | 1 |

| | | | | | | |
|--|----------|-----------|------------|------------------------------------|----------------------|---------------|
| UNLESS OTHERWISE SPECIFIED: DIMENSIONS ARE IN INCHES SURFACE FINISH: TOLERANCES: LINEAR: ANGULAR: | FINISH: | | | DEBURR AND BREAK SHARP EDGES | DO NOT SCALE DRAWING | REVISION |
| | | | | | | |
| | NAME | SIGNATURE | DATE | TITLE: | | |
| DRAWN | Tuf-Tite | | | | | |
| CHKD | D. Simon | | April 2024 | | | |
| APPV'D | | | | | | |
| MFG | | | | MATERIAL: | | |
| QA | | | | WEIGHT: 3 lbs, 5 oz | SCALE: | SHEET: 1 OF 1 |



Valencia Pipe Company
 12" x 20" Riser Green
 Model # 89-20RIS12

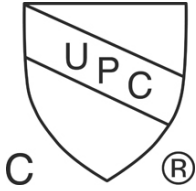


| Item # | Mfgr Part # | Description | Qty |
|--------|-------------|--------------------------------|-----|
| 1 | 89-20RIS12 | 12" x 20" diameter green riser | 1 |

| | | | | | | |
|--|----------|-----------|------------|------------------------------------|----------------------|---------------|
| UNLESS OTHERWISE SPECIFIED: DIMENSIONS ARE IN INCHES SURFACE FINISH: TOLERANCES: LINEAR: ANGULAR: | FINISH: | | | DEBURR AND BREAK SHARP EDGES | DO NOT SCALE DRAWING | REVISION |
| | | | | | | |
| | NAME | SIGNATURE | DATE | TITLE: | | |
| DRAWN | Tuf-Tite | | | | | |
| CHKD | D. Simon | | April 2024 | | | |
| APPV'D | | | | | | |
| MFG | | | | MATERIAL: | | |
| QA | | | | WEIGHT: 5 lbs 14 oz | SCALE: | SHEET: 1 OF 1 |

IAPMO RESEARCH AND TESTING, INC.

CERTIFICATE OF LISTING



Issued To: VALENCIA PIPE COMPANY

Effective Date: April 2024

File Number: 16181

Product: Prefabricated Septic Tanks

Void After: April 2029

This certificate is not evidence of current listing. To verify listing status, visit the IAPMO R&T Product Listing Directory at pld.iapmo.org

Identification:

Each tank shall be marked with the following information: 1) manufacturer's name or trademark; 2) model number; 3) working liquid volume in gallons and liters; 4) date (i.e., month and year), date code, or identifier traceable to the date of manufacture; 5) maximum design load and maximum burial depth for which the tank is designed in feet and meters; 6) volume of the chamber(s) as a function of depth in gallons per inch and liters per centimeter (this can be affixed to the tank exterior or provided in the manufacturer's product literature); 7) inlet and outlet; 8) type of tank (e.g., H, T, S, P, ES or EP); and 7) statement "above-ground installation not permitted" or "AGINP" (where applicable). For a concrete tank, a marking shall indicate whether it is suitable for sulphate or non-sulphate soils, i.e. "SUL" or "NON-SUL". Markings shall be permanent, legible, and visible. Acceptable means of applying permanent markings shall include permanently affixed metal plates, etching, mechanical stamping, stamping with a permanent (non-water-soluble) ink, and molding in. Markings shall be located on the top of the tank near the access opening or at the end of the tank near the inlet. The product shall also bear the cUPC® certification mark adjacent to product markings.

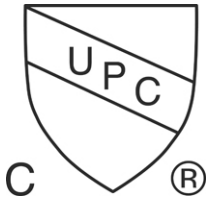
Characteristics:

Prefabricated septic tanks made of concrete, fiber-reinforced polyester (FRP), thermoplastic, or steel. To be installed in accordance with the manufacturer's instructions and the latest edition of the Uniform Plumbing Code.

Products listed on this certificate have been tested by an IAPMO R&T recognized laboratory. This recognition has been granted based upon the laboratory's compliance to the applicable requirements of ISO/IEC 17025.

IAPMO RESEARCH AND TESTING, INC.

CERTIFICATE OF LISTING



Issued To: VALENCIA PIPE COMPANY

Effective Date: April 2024

File Number: 16181

Product: Prefabricated Septic Tanks

Void After: April 2029

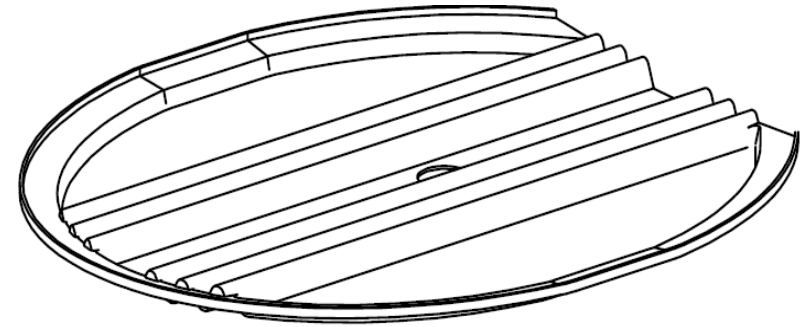
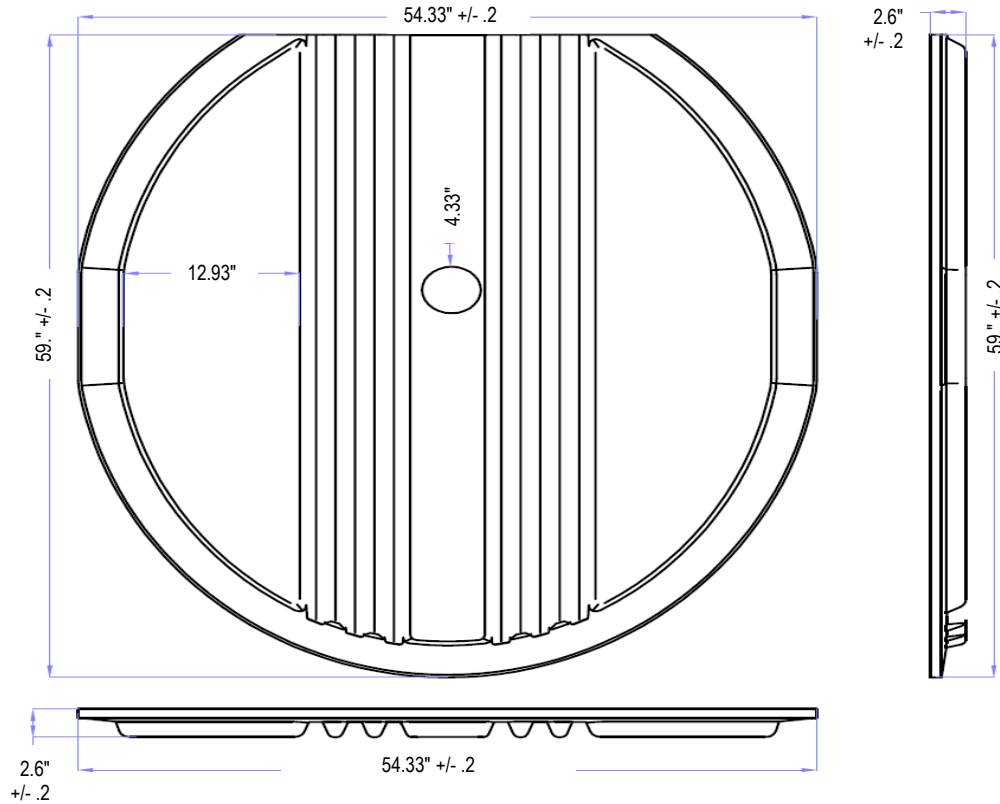
This certificate is not evidence of current listing. To verify listing status, visit the IAPMO R&T Product Listing Directory at pld.iapmo.org

Models

| Model Number | Description |
|--------------|---|
| 87-41718 | 1000 Gallon Single Compartment Septic Tank Yellow |
| 87-41720 | 1000 Gallon Two Compartment Septic Tank Yellow |
| 87-41758 | 1500 Gallon Single Compartment Septic Tank Yellow |
| 87-41760 | 1500 Gallon Two Compartment Septic Tank Yellow |



Valencia Pipe Company
 1500g Septic Baffle
 Part # 85-ST-1500-BL



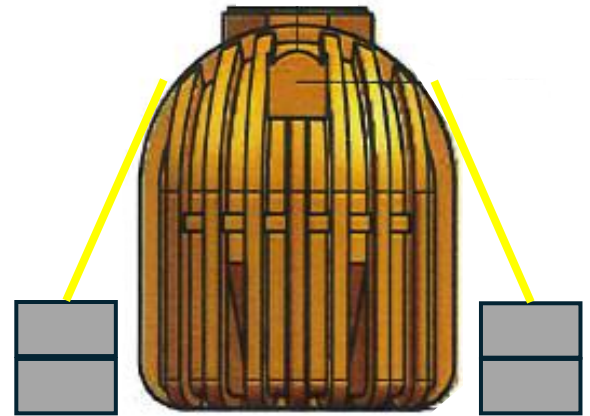
Technical parameters:

1. The product is a single-layer blister, black, HDPE, and thickness of 6mm.
2. The draft angle inside the product cavity is 3 degrees.
3. The surface is flat, the mold font can be read, without obvious wrinkles, cracks, or deformation, and the product edges are free of burrs and sharp corners.
4. All surfaces of the product shall be free of any obvious floating ash, oil stains, water stains, or material scraps, and shall not be bonded with tailings or other miscellaneous materials.
5. The color should be consistent with the color palette. If there is a slight color difference, a distance of 1 meter should be used for daytime outdoor comparison, and there should be no obvious color difference or impurities. The color of the same batch of goods should be consistent.
6. Tolerance requirements: length width $\pm 5\text{mm}$, height $\pm 5\text{mm}$, product weight 9.9kg, weight tolerance $\pm 0.5\text{kg}$.
7. Applicable temperature: $-25\text{ }^{\circ}\text{C} \sim 55\text{ }^{\circ}\text{C}$ ($-13\text{ }^{\circ}\text{F} \sim 131\text{ }^{\circ}\text{F}$).

Baffle placement: 65" from side wall to baffle on 2/3 (inlet side); 35" from side wall to baffle on 1/3 (outlet side).

| | | | | | | |
|--|----------|-----------|------------|--|----------------------|---------------|
| UNLESS OTHERWISE SPECIFIED: DIMENSIONS ARE IN INCHES SURFACE FINISH: TOLERANCES: LINEAR: ANGULAR: | | FINISH: | | DEBURR AND BREAK SHARP EDGES | DO NOT SCALE DRAWING | REVISION |
| | | | | | | |
| | NAME | SIGNATURE | DATE | TITLE: | | |
| DRAWN | | | 12/11/2023 | 1500 GALLON TWO COMPARTMENT SEPTIC TANK INTERNAL BAFFLE | | |
| CHKD | D. Simon | | March 2024 | | | |
| APPV'D | | | | | | |
| MFG | | | | | | |
| QA | | | | | | |
| | | | | MATERIAL: High Density Polyethylene (HDPE) | | |
| | | | | WEIGHT: 19 lbs | SCALE: | SHEET: 1 OF 1 |

| Valencia Pipe Company 1000 Gallon Septic Tank Additional Weight Necessary (Pounds) | | | | | |
|---|--|----|------|------|------|
| Inches of Soil Cover On Top of Tank | Inches of Groundwater Above Base of Tank | | | | |
| | 6 | 12 | 18 | 24 | 30 |
| 6 | | | 3351 | 3510 | 5469 |
| 9 | | | 635 | 2594 | 4553 |
| 12 | | | | 1674 | 3633 |
| 15 | | | | | 2715 |
| 18 | | | | | 1797 |
| 21 | | | | | |
| 24 | | | | | |
| 27 | | | | | |
| 30 | | | | | |



Some Suggestions:

| Valencia Pipe Company 1500 Gallon Septic Tank Additional Weight Necessary (Pounds) | | | | | |
|---|--|----|-----|------|------|
| Inches of Soil Cover On Top of Tank | Inches of Groundwater Above Base of Tank | | | | |
| | 6 | 12 | 18 | 24 | 30 |
| 6 | | | 549 | 3781 | 7013 |
| 9 | | | | 1959 | 5191 |
| 12 | | | | 135 | 3367 |
| 15 | | | | | 1542 |
| 18 | | | | | |
| 21 | | | | | |
| 24 | | | | | |
| 27 | | | | | |
| 30 | | | | | |



Concrete Block



Concrete
Parking Lot
Bumper

* - 90# (used for calculation purposes) in clay soil

No additional weight or restraints necessary
 Amount of extra weight / restraint necessary
 (In pounds)

Installing an underground septic system is a labor- and time-intensive endeavor that requires some expertise.

If you are unsure of any aspect of your septic tank installation, hire or consult with a qualified tank installer.



THE CONSULTING BUREAU INC

30 Wall Street, 8th Floor, Office 813, New York, NY 10005

Tel: 605-690-9946

Ali@consultingbureau.org

Engineerfny@gmail.com

April 20, 2024

To: Valencia Pipe Company, Tank Division
28305 Livingston Ave
Valencia, CA 91355
United States



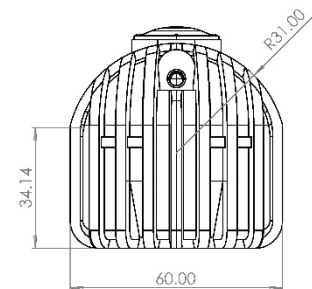
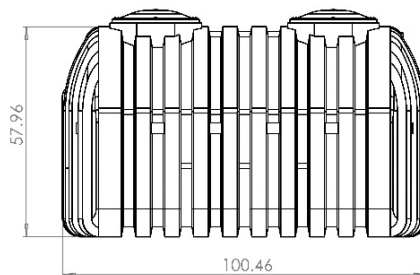
Subject: Documentation of tank buoyancy calculations and additional weights needed (for septic tank, 1500 gallon)

Description:

- The forces acting up and down on the tank will be determined.
- The upward force is the buoyant force and is equal to the weight of the fluid displaced.
- The downward forces are the weight of the tank and Groundwater Rise above Base of Tank, in addition to the weight of the soil on top of the tank.
- It will be considered that the upward force has a positive sign and the downward force has a negative sign, and then the resultant of the forces is found.
- If the resultant force is positive, the body tends to move upward. Therefore, an additional mass must be placed from above to equalize the weight and prevent buoyancy.
- If the resultant force is negative, then the resultant force is greater in the downward direction, so we do not need additional weights because there is no buoyancy.

Data:

- ✓ Height: 58 inch
- ✓ Width: 60 inch
- ✓ Length: 100.46 inch
- ✓ Thickness: 0.25 inch
- ✓ Soil :
 - Sand
 - Clay
 - Sand Clay
- ✓ Water density = 62.4 lb/ft³



Goals:

The goal is to create a table that includes a relationship between the Groundwater Rise above Base of Tank, the height of the soil above the tank, and the weight necessary to equalize the weight and prevent the tank from floating.

Sandy Soil

| | | Valencia Pipe Company 1500 Gallon Septic Tank Additional Weight Necessary | | | | |
|--|--|--|------|------|------|--|
| Inches of Soil Cover On Top of Tank | Inches of Groundwater Above Base of Tank | | | | | |
| | 6 | 12 | 6 | 24 | 6 | |
| 6 | | | 2238 | 5470 | 8702 | |
| 9 | | | 738 | 3969 | 7201 | |
| 12 | | | | 2467 | 5699 | |
| 15 | | | | 964 | 4196 | |
| 18 | | | | | 2693 | |
| 21 | | | | | 1191 | |
| 24 | | | | | | |
| 27 | | | | | | |
| 30 | | | | | | |

| | |
|--|--|
| No additional weight or restraints necessary | Amount of extra weight / restraint necessary (in pounds) |
|--|--|

Clay Soil

| | | Valencia Pipe Company 1500 Gallon Septic Tank Additional Weight Necessary | | | | |
|--|--|--|-----|------|------|--|
| Inches of Soil Cover On Top of Tank | Inches of Groundwater Above Base of Tank | | | | | |
| | 6 | 12 | 6 | 24 | 6 | |
| 6 | | | 549 | 3781 | 7013 | |
| 9 | | | | 1959 | 5191 | |
| 12 | | | | 135 | 3367 | |
| 15 | | | | | 1542 | |
| 18 | | | | | | |
| 21 | | | | | | |
| 24 | | | | | | |
| 27 | | | | | | |
| 30 | | | | | | |

| | |
|--|--|
| No additional weight or restraints necessary | Amount of extra weight / restraint necessary (in pounds) |
|--|--|

Sandy Clay

| Valencia Pipe Company 1500 Gallon Septic Tank Additional Weight Necessary | | | | | |
|--|--|----|---|------|------|
| Inches of Soil Cover On Top of Tank | Inches of Groundwater Above Base of Tank | | | | |
| | 6 | 12 | 6 | 24 | 6 |
| 6 | | | | 2092 | 5324 |
| 9 | | | | | 3180 |
| 12 | | | | | 1034 |
| 15 | | | | | |
| 18 | | | | | |
| 21 | | | | | |
| 24 | | | | | |
| 27 | | | | | |
| 30 | | | | | |

| | |
|--|--|
| No additional weight or restraints necessary | Amount of extra weight / restraint necessary (in pounds) |
|--|--|

Results

1. Find the necessary weights to prevent the tank from floating.
2. It has been observed that in many cases there is no need to put weights, as the tank does not float at all.
3. It is concluded from the table that if the height of the water around the tank is small, we do not need large weights to overcome the buoyancy.

Buoyancy Control Methods

Buoyancy control methods are vital for preventing uplift of structures like septic tanks in buoyant soil conditions. There are several effective strategies to mitigate buoyancy forces and ensure stability:

1. Anchoring Systems: Installing anchors made of concrete or steel securely attach to the septic tank and buried deep into the soil. These anchors increase the system's weight and stability, countering uplift forces.
2. Ballast Weights: Placing ballast weights, typically made of concrete or metal, on or around the septic tank can counteract upward forces exerted by buoyant soil or groundwater. Properly positioned ballast weights significantly enhance system stability.



3. **Deep Burial:** Installing septic tanks at greater depths places them below fluctuating groundwater levels, minimizing uplift potential. However, deep burial may require additional excavation and construction considerations.
4. **Engineering Solutions:** Advanced techniques like soil stabilization or ground improvement methods can mitigate buoyancy. These solutions include soil compaction, grouting, or using geosynthetic materials to enhance soil strength.
5. **Regulatory Compliance and Standards:** Adhering to regulations and industry standards ensures effective buoyancy control. Compliance with guidelines and practices promotes responsible wastewater management and reduces risks associated with buoyancy.



By combining these methods and following regulations, stakeholders can mitigate buoyancy risks and ensure the stability and functionality of septic systems in buoyant soil environments. Proactive planning, proper design, and regular maintenance are crucial for long-term stability.

Conclusion

In conclusion, the issue of septic tank buoyancy is a critical consideration in the design, installation, and maintenance of septic systems. Buoyancy occurs when groundwater levels rise, exerting upward pressure on the tank, potentially causing it to float. This phenomenon poses significant risks, including structural damage, system failure, and environmental hazards.

To mitigate buoyancy risks, various strategies can be employed, such as proper tank anchoring, installation of ballast weights, or designing tanks with sufficient weight and depth to resist uplift forces. Regular inspection and maintenance are also essential to detect and address any buoyancy-related issues promptly.

| SHOP DRAWING / SUBMITTAL REVIEW | |
|---|--|
| <input checked="" type="checkbox"/> APPROVED | <input type="checkbox"/> APPROVED WITH CHANGES NOTED |
| <input type="checkbox"/> REVISE AND RESUBMIT | <input type="checkbox"/> REJECTED: _____ |
| SUBMITTAL WAS REVIEWED FOR DESIGN CONFORMITY AND GENERAL CONFORMANCE TO CONTRACT DOCUMENTS ONLY. THE CONTRACTOR IS RESPONSIBLE FOR CONFIRMING AND CORRELATING DIMENSIONS AT JOB SITES FOR TOLERANCES, CLEARANCES, QUANTITIES, FABRICATION PROCESSES AND TECHNIQUES OF CONSTRUCTION, COORDINATION OF HIS WORK WITH OTHER TRADES AND FULL COMPLIANCE WITH THE CONTRACT DOCUMENTS. | |
| BY _____ A/E/I | DATE <u>04-26-2024</u> |
| THE CONSULTING BUREAU INC. | |





THE CONSULTING BUREAU INC

30 Wall Street, 8th FL Office 813 New York, NY10005

Tell: 605-690-9946

ali@consultingbureau.org

engineerfny@gmail.com

April 22, 2024

To: Valencia pipe company
28305 Livingston Ave
Valencia, CA 91355
United States



Subject: Documentation of The Total Liquid Capacity And Tank Volumes Calibrated In One-Inch Increments, (for septic tank, size 1500gallon)

Description:

- A gradation of standards will be created for each inch linking the level of the water surface inside the tank and the volume of water inside it.
- The volume of water inside the tank was calculated using SolidWorks when the water level was only one inch.
- The previous step was repeated for each two-inch water level and the water volume was calculated again and so on until we obtained a set of values for water heights and volumes.
- In the table there is a third column of values that contains the amount of increase in the volume of water at this height compared to the previous height.
- After that, a curve was drawn between the height of the water in the tank and the volume of water inside it to further clarify the table data.
- Another curve was drawn between the height of the water in the tank and the amount of volume increase in this step over the previous step in the gradual process.

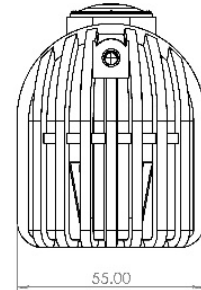
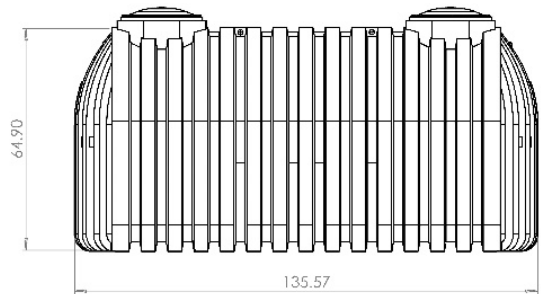
Data:

Height: 64.9 inch

Width: 55 inch

Length: 135.57 inch

Thickness: 0.315 inch



Goals:

Obtain a scale between the water level in the tank and the volume of water inside it (calibrated in one-inch increment)

Here is the table containing the columns:

- ✓ The first contains the water rising inside the tank by an increment of one inch
- ✓ The second contains the volume of the tank at the corresponding height in the previous column
- ✓ The third contains the amount of increase at this height over the previous height

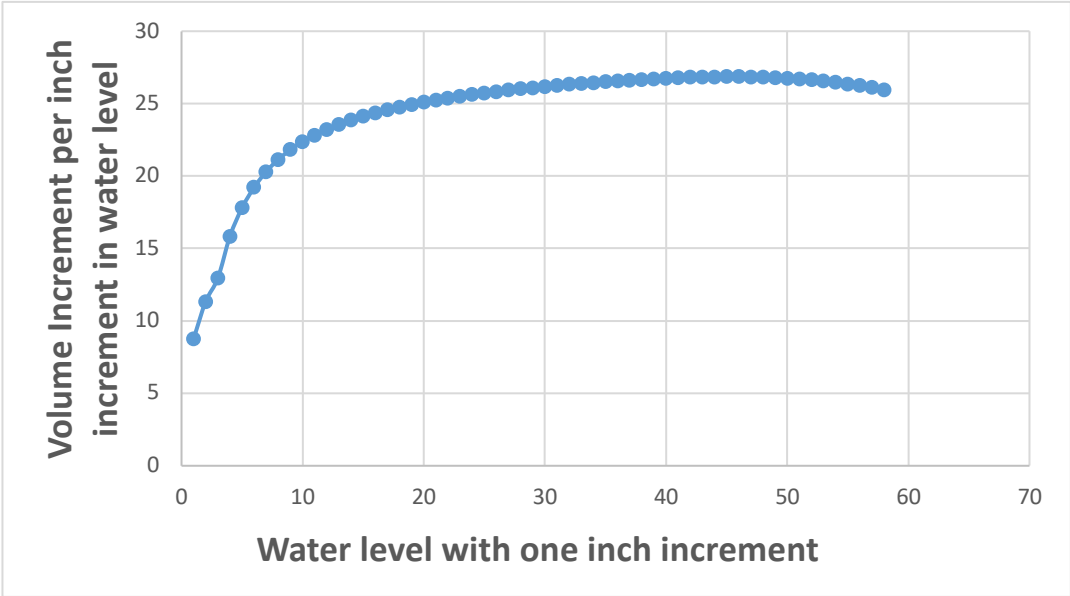
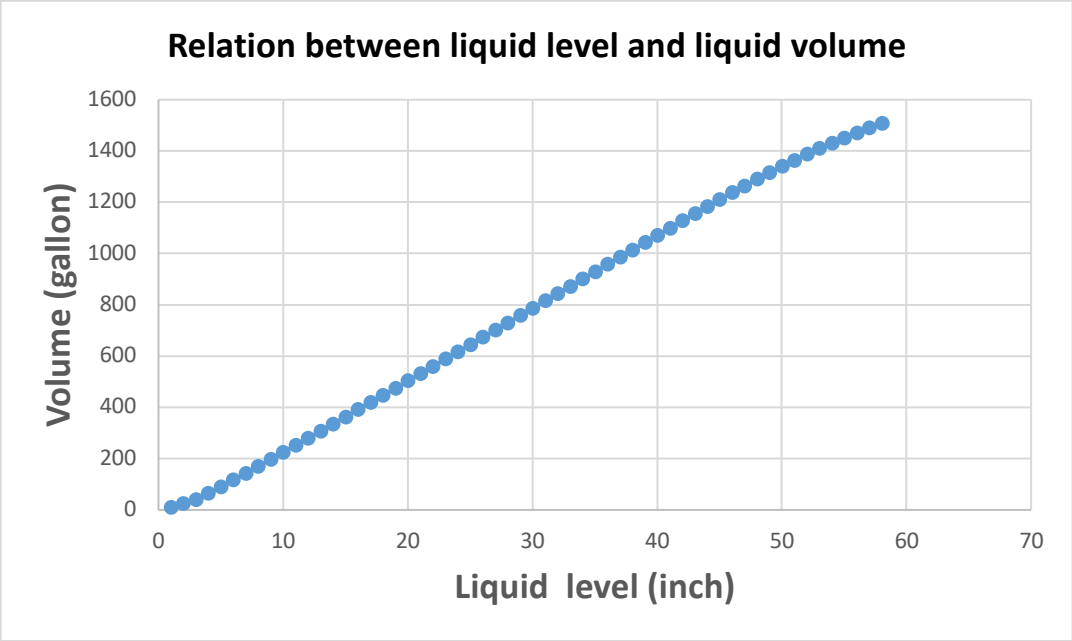
| Water level with one inch increment | Liquid Volume inside the tank (gallon) | Volume Increment per inch increment in water level |
|-------------------------------------|--|--|
| 1 | 8.77 | 8.77 |
| 2 | 22.68 | 11.34 |
| 3 | 38.84 | 12.95 |
| 4 | 63.36 | 15.84 |
| 5 | 89.04 | 17.81 |
| 6 | 115.33 | 19.22 |
| 7 | 142.20 | 20.31 |
| 8 | 169.22 | 21.15 |
| 9 | 196.41 | 21.82 |
| 10 | 223.73 | 22.37 |
| 11 | 251.16 | 22.83 |
| 12 | 278.70 | 23.22 |
| 13 | 306.33 | 23.56 |
| 14 | 334.06 | 23.86 |
| 15 | 361.87 | 24.12 |
| 16 | 389.76 | 24.36 |
| 17 | 417.71 | 24.57 |
| 18 | 445.74 | 24.76 |
| 19 | 473.83 | 24.94 |
| 20 | 501.97 | 25.10 |

| | | |
|----|----------|-------|
| 21 | 530.17 | 25.25 |
| 22 | 558.40 | 25.38 |
| 23 | 586.71 | 25.51 |
| 24 | 615.05 | 25.63 |
| 25 | 643.42 | 25.74 |
| 26 | 671.82 | 25.84 |
| 27 | 700.23 | 25.93 |
| 28 | 728.63 | 26.02 |
| 29 | 757.00 | 26.10 |
| 30 | 785.41 | 26.18 |
| 31 | 813.86 | 26.25 |
| 32 | 842.55 | 26.33 |
| 33 | 871.20 | 26.40 |
| 34 | 899.67 | 26.46 |
| 35 | 928.07 | 26.52 |
| 36 | 956.44 | 26.57 |
| 37 | 984.83 | 26.62 |
| 38 | 1,013.29 | 26.67 |
| 39 | 1,041.65 | 26.71 |
| 40 | 1,069.97 | 26.75 |
| 41 | 1,098.17 | 26.78 |
| 42 | 1,126.23 | 26.81 |
| 43 | 1,154.06 | 26.84 |
| 44 | 1,181.59 | 26.85 |
| 45 | 1,208.86 | 26.86 |
| 46 | 1,235.75 | 26.86 |
| 47 | 1,262.13 | 26.85 |
| 48 | 1,288.12 | 26.84 |
| 49 | 1,313.54 | 26.81 |
| 50 | 1,338.19 | 26.76 |
| 51 | 1,362.20 | 26.71 |
| 52 | 1,385.50 | 26.64 |
| 53 | 1,408.00 | 26.57 |
| 54 | 1,429.56 | 26.47 |
| 55 | 1,450.16 | 26.37 |
| 56 | 1,469.86 | 26.25 |
| 57 | 1,488.47 | 26.11 |
| 58 | 1,505.77 | 25.96 |

Results:

1. Average increment in volume per inch = 24.4 gallon.
2. The Total Liquid Capacity = 1500 gallon
3. Tank Volumes Calibrated In One-Inch Increments.
4. The following Charts.


Charts



Conclusion

The volume of water was calculated from the point it reached one inch high in the tank, utilizing the SolidWorks program. Following this initial calculation, the water height was increased by one inch at each step, and the volume was recalculated until reaching the tank's maximum capacity. Subsequently, a correlation was established between the water level in the tank and its corresponding volume.

Additionally, the amount of volume increase per one-inch rise in water level was determined, allowing for the derivation of the average increase in tank water volume for each inch rise in water level. Furthermore, another correlation was drawn between the increment per inch in tank water height and the volume of water within the tank.

| SHOP DRAWING / SUBMITTAL REVIEW | |
|---|--|
| <input checked="" type="checkbox"/> APPROVED | <input type="checkbox"/> APPROVED WITH CHANGES NOTED |
| <input type="checkbox"/> REVISE AND RESUBMIT | <input type="checkbox"/> REJECTED: _____ |
| <p>SUBMITTAL WAS REVIEWED FOR DESIGN CONFORMITY AND GENERAL CONFORMANCE TO CONTRACT DOCUMENTS ONLY THE CONTRACTOR IS RESPONSIBLE FOR CONFIRMING AND CORRELATING DIMENSIONS AT JOB SITES FOR TOLERANCES, CLEARANCES, QUANTITIES, FABRICATION PROCESSES AND TECHNIQUES OF CONSTRUCTION, COORDINATION OF HIS WORK WITH OTHER TRADES AND FULL COMPLIANCE WITH THE CONTRACT DOCUMENTS.</p> | |
| BY _____ AI / OE | DATE 4/22/24 |
| <p>THE CONSULTING BUREAU INC. </p> | |

Prepared by: ALI IBRAHIM

Reviewed by: OMAR ELSHAHAT



Underground Septic Tank Installation Instructions

www.valenciapipe.com
(661) 257-3923
info@valenciapipe.com

**Septic Tanks are for UNDERGROUND use only.
Failure to comply will void all warranties.**

Always be sure to check your local codes relative to underground tank installations. Some states, counties, and/or municipalities have very strict codes, especially regarding septic tanks. Septic tanks may not be returned due to inspector rejections after installation.

VPC Underground Septic Tanks



1500g Septic Tank
(1 or 2 compartments)



1000g Septic Tank
(1 or 2 compartments)

Site Preparation & Tank Placement

1. Dig a hole that will provide a minimum of 6” and a maximum of 30” of cover over the top of the tank.
 - Allow 18” to 24” on both sides and both ends of the tank.
 - Possible tank collapse could occur if these allowances are not provided and may void the warranty.
2. Bedding material:
 - Well packed sand is the preferred bedding material.
 - 6” for regular soil terrain and 12” for rocky terrain.
 - Native soil is acceptable so long as it is flowable, compactable, rock free, and can provide uniform overall support, especially in the recessed rib areas.
 - Ensure all backfill material is free of wood, masonry debris, silt, and/or clay.
 - When bedding material is in place and the foundation for the tank is level, carefully lower the tank into place.
 - This is best done with 2-3 people depending on the size and weight of the empty tank.
 - Wiggle the tank around to seat it into the sand or pea gravel to and to allow the foundation bedding material to fully support the tank and bottom ribs.
3. Install supplied 4” tees and gaskets in the inlet and outlet holes in the tank prior to placing it in a properly sized excavated hole (see below).
 - The tees can be used with 4” schedule 40 pipe or 4” SDR 35 pipe.
 - Note the direction of the flow and that the inlet hole is higher than the outlet hole.
 - Use standard PVC cement to create a solvent weld to incoming lines and outbound leach field after the tank is lowered into the hole.
 - Note: If using ABS pipe, ensure the proper ABS-PVC cement is used. ABS-ABS or PVC-PVC cement will not suffice.

NOTE: High water tables can cause a septic tank to float to the surface. If your state, county, or city requires tank buoyancy mitigation, please refer to the Septic Tank Buoyancy Mitigation Recommendations included with these instructions and/or call professional qualified septic tank installer.

4. Optional: Install a manhole extension(s) if desired.



- Manhole extensions can be ordered along with your septic tank(s).
 - 12”, 6”, and 3” high x 20” diameter.
 - Tank adapter ring is suggested for placement between the tank and the risers.



- Maximum burial level of our septic tanks is 30", so manhole extensions may be stacked on each other to obtain desired tank burial depth.
 - Use butyl rope or silicone to create a watertight seal if stacking risers.
- Use the lid(s) supplied with the tank to place on top of the manhole extension and secure with provided stainless steel screws.

Backfilling

***This is a very important phase of your installation.
Please follow instructions carefully to ensure optimal tank performance.***

5. Fill tank with 12" of water.
6. Backfill the excavation with 12" of clean backfill material.
 - IMPORTANT: Firmly compact the ends first, then the sides of the tank.
 - Upon completion of the first 12", continue this sequence all the way to the surface.
 - 12" of water in the tank; 12" of firmly compacted backfill around the tank.
 - Be sure to compact backfill under the inlet and outlet pipes.
7. As previously mentioned, 30" maximum burial level between the top of the tank and surface grade level.
8. Mound soil over the top of the tank to ensure positive drainage.

Important Additional Notes*

- ✓ Always check local codes to ensure plastic septic tanks can be used prior to purchasing or installation.
- ✓ Have a professional site survey done by a qualified, certified geologist prior to purchasing or installation.
- ✓ Do not install any tank in a high-water table and/or in water saturated clay.
 - The tank may collapse and expel its contents.
- ✓ Don't store a plastic tank near a flame or heat in excess of 180°F.
- ✓ Protect the tank from sharp objects both in advance of installation and during installation.
- ✓ Vehicles and/or heavy equipment can be detrimental to an underground tank.
 - Don't bury under the path of vehicles and/or heavy equipment.
- ✓ Septic tanks should be kept full at all times.
 - If a septic tank is pumped for normal maintenance, it should be refilled immediately.
- ✓ Septic tanks are not holding tanks and should not be used as such.
 - Septic tanks may not be used for drinking water.
- ✓ HDPE (high density polyethylene) tanks can be repaired. Generally, here is how it is done:
 1. Tank must be unearthed and emptied (not necessarily uninstalled and removed from its hole).
 2. Once the leaking point has been located, ensure there are no jagged edges and that the hole is "cleaned up". This can be done with a standard hand-held grinding tool and some soapy water.
 3. Purchase some HDPE strips or material.
 4. Use a medium or large tipped soldering iron to melt the material around the hole as well as to melt the HDPE strips into the hole.
 5. Repeat the process until the hole is completely filled and is secure.
 6. Test fill with water to above the hole to ensure it is watertight. If not, add more HDPE.
 7. If desired, use no heavier than 80 grit sandpaper to smooth the surface. Do not over-sand.
 8. Re-bury and re-compact as per original instructions (12" of water in tank followed 12" of compacted back-fill (starting with the ends)) and repeat until completely buried.

* - Failure of any of the above will void warranty.

VPC Tanks Limited Warranty

When installed in accordance with manufacturer's instructions, VPC (Valencia Pipe Company) warrants against defective materials and/or workmanship for three (3) years from the date of manufacture. Date of manufacture (serial number) can be found on the permanent label affixed to each tank. Should a defect appear within the warranty period, Valencia Pipe Company will supply a like replacement tank. Cost of removal and/or installation and consequential damages are not covered.

CONSUMER SHOULD CONTACT VALENCIA PIPE COMPANY PRIOR TO REMOVAL OF THE ALLEDGED DEFECTIVE TANK TO RECEIVE THE REQUIRED WARRANTY FORM.