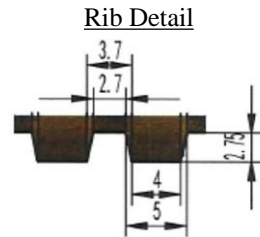
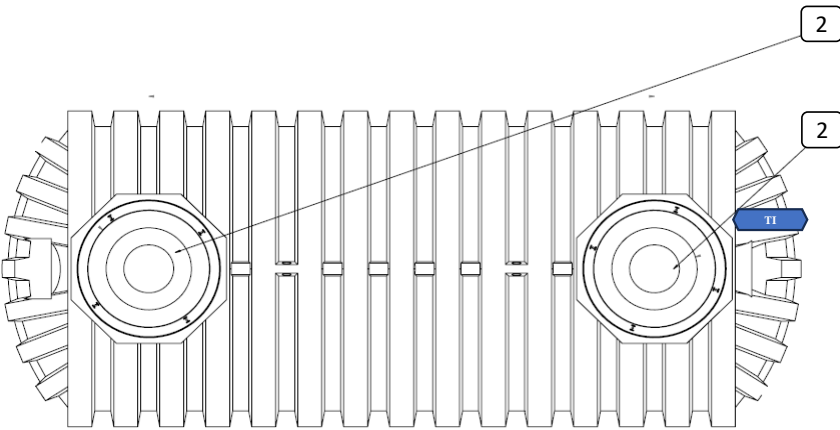
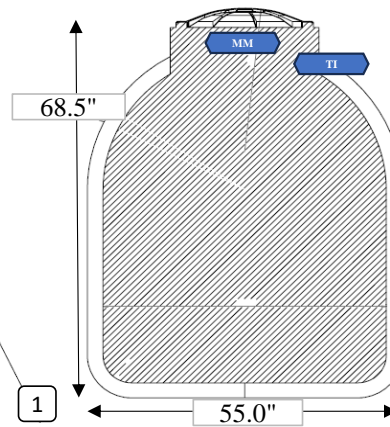
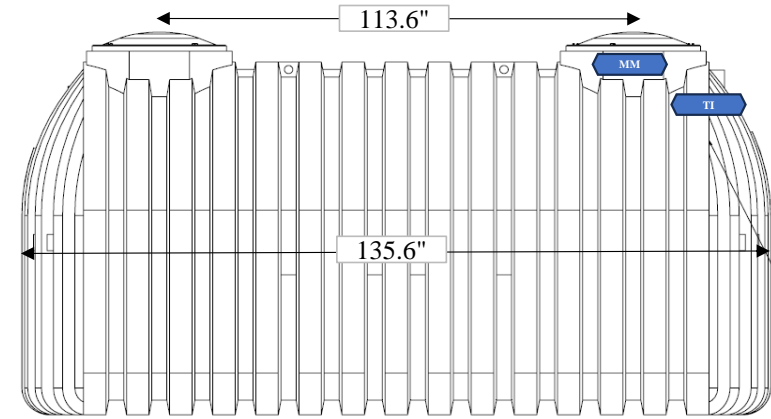




Valencia Pipe Company
 1700g White Cistern Tank
 Model # 88-41330



UV resistant BPA Free HDPE
 Empty weight: 552
 Shipping Class: 300

All Wall Thicknesses:
 .45" +/- .07"

TI Tank Information

MM Manufacturer's Tank Markings (serial #, etc.)

Municipal and County codes may vary from your state approval. Please make sure you consult with your local sanitation department or plumber on

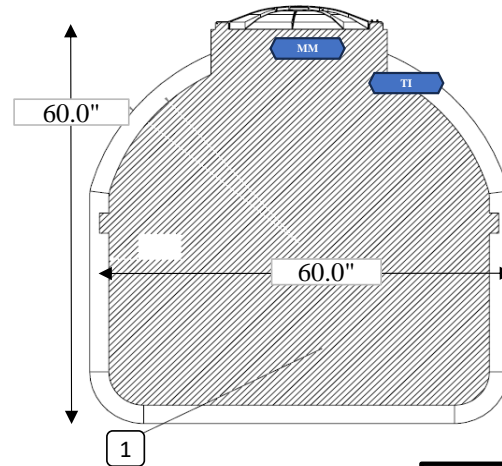
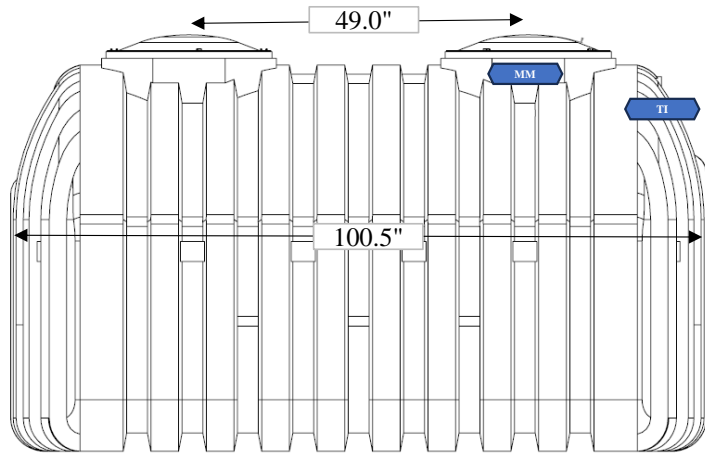
Complies with FDA standards 21 CFR 177.1520 (1) 3.1 and 3.2
 3 year limited warranty

Item #	Mfgr Part #	Description	Qty
1	88-41330	1700g White Cistern Tank	1
2	SPL-001-L	20" Black lid assembly	2

UNLESS OTHERWISE SPECIFIED: DIMENSIONS ARE IN INCHES SURFACE FINISH: TOLERANCES: LINEAR: ANGULAR:	FINISH:			DEBURR AND BREAK SHARP EDGES	DO NOT SCALE DRAWING	REVISION
	NAME	SIGNATURE	DATE			
DRAWN				88-41330 1700 GALLON ONE COMPARTMENT HDPE WHITE CISTERN TANK		
CHKD	D. Simon	March 2024				
APPV'D						
MFG						
QA						
				MATERIAL: High Density Polyethylene (HDPE)		
				WEIGHT: 552 lbs	SCALE: 5:1	SHEET: 1 OF 1



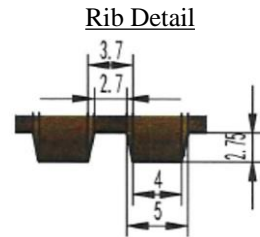
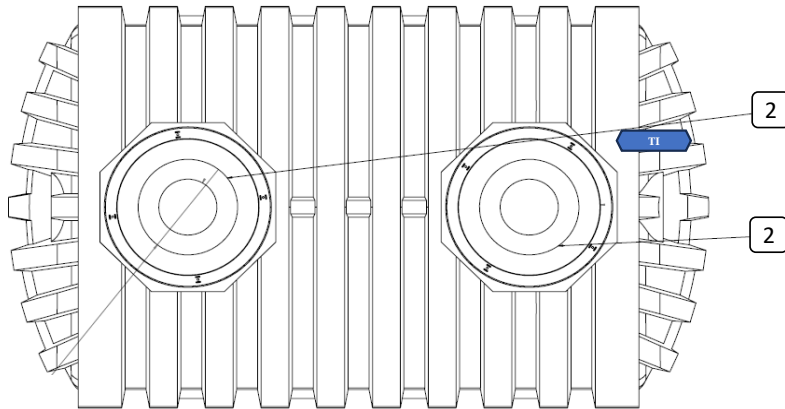
Valencia Pipe Company
 1200g White Cistern Tank
 Model # 88-41329



UV resistant BPA Free HDPE
 Empty weight: 372
 Shipping Class: 300

All Wall
 Thicknesses:
 .45" +/- .07"

TI Tank Information
MM Manufacturer's Tank Markings
 (serial #, etc.)



Municipal and County codes may vary from your state approval. Please make sure you consult with your local sanitation department or plumber on

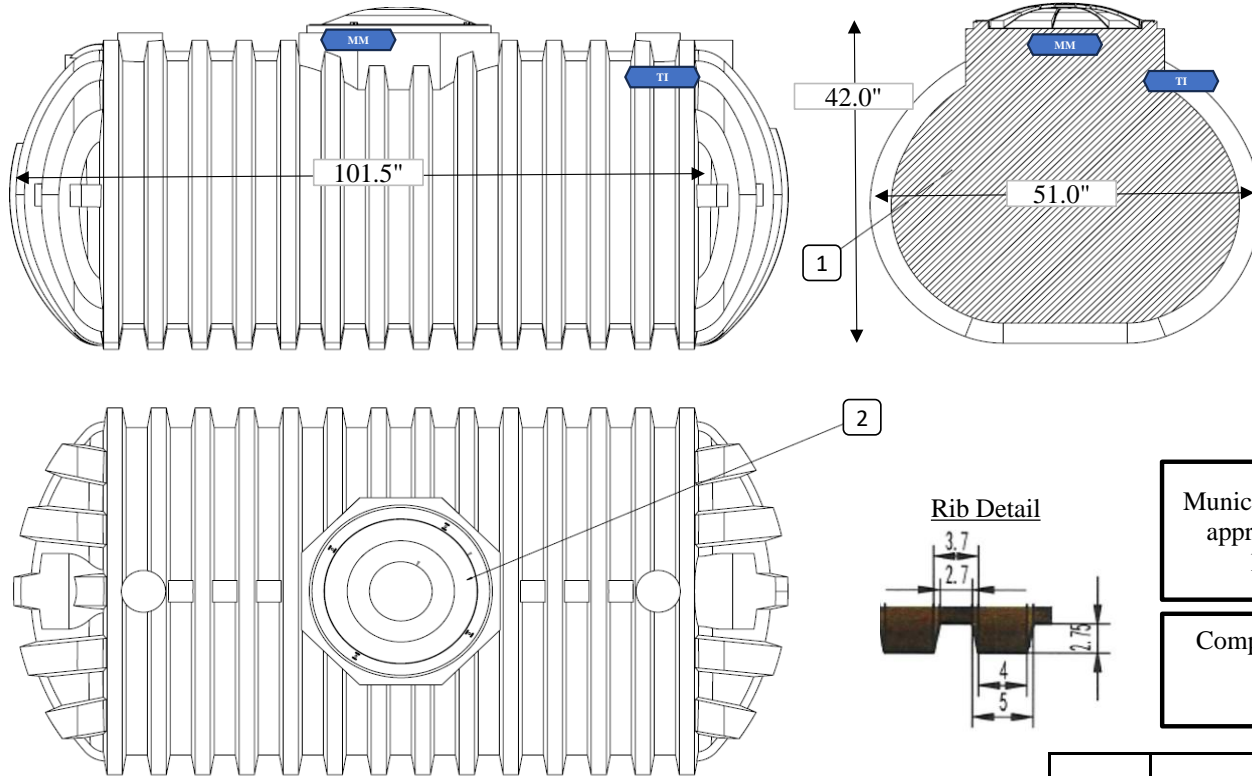
Complies with FDA standards 21 CFR 177.1520 (1)
 3.1 and 3.2
 3 year limited warranty

Item #	Mfgr Part #	Description	Qty
1	88-41329	1200g White Cistern Tank	1
2	SPL-001-L	16" Black lid assembly	2

UNLESS OTHERWISE SPECIFIED: DIMENSIONS ARE IN INCHES SURFACE FINISH: TOLERANCES: LINEAR: ANGULAR:		FINISH:		DEBURR AND BREAK SHARP EDGES		DO NOT SCALE DRAWING		REVISION	
NAME		SIGNATURE		DATE		TITLE:			
DRAWN				March 2024		88-41329 1200 GALLON ONE COMPARTMENT HDPE WHITE CISTERN TANK			
CHKD		D. Simon							
APPV'D									
MFG									
QA									
				MATERIAL: High Density Polyethylene (HDPE)		WEIGHT: 372 lbs		SCALE: 5:1	
								SHEET: 1 OF 1	



Valencia Pipe Company
 600g White Cistern Tank
 Model # 88-41328



UV resistant BPA Free HDPE
 Empty weight: 204
 Shipping Class: 300

All Wall
 Thicknesses:
 .45" +/- .07"

TI Tank Information
MM Manufacturer's Tank Markings
 (serial #, etc.)

Municipal and County codes may vary from your state approval. Please make sure you consult with your local sanitation department or plumber on

Complies with FDA standards 21 CFR 177.1520 (1) 3.1 and 3.2
 3 year limited warranty

Item #	Mfgr Part #	Description	Qty
1	88-41328	600g White Cistern Tank	1
2	SPL-001-L	16" Black lid assembly	2

UNLESS OTHERWISE SPECIFIED: DIMENSIONS ARE IN INCHES SURFACE FINISH: TOLERANCES: LINEAR: ANGULAR:		FINISH:		DEBURR AND BREAK SHARP EDGES		DO NOT SCALE DRAWING		REVISION	
NAME		SIGNATURE		DATE		TITLE:			
DRAWN						88-41328 600 GALLON ONE COMPARTMENT HDPE WHITE CISTERN TANK			
CHKD		D. Simon		March 2024					
APPV'D									
MFG									
QA						MATERIAL: High Density Polyethylene (HDPE)			
						WEIGHT: 204 lbs		SCALE: 5:1	
								SHEET: 1 OF 1	