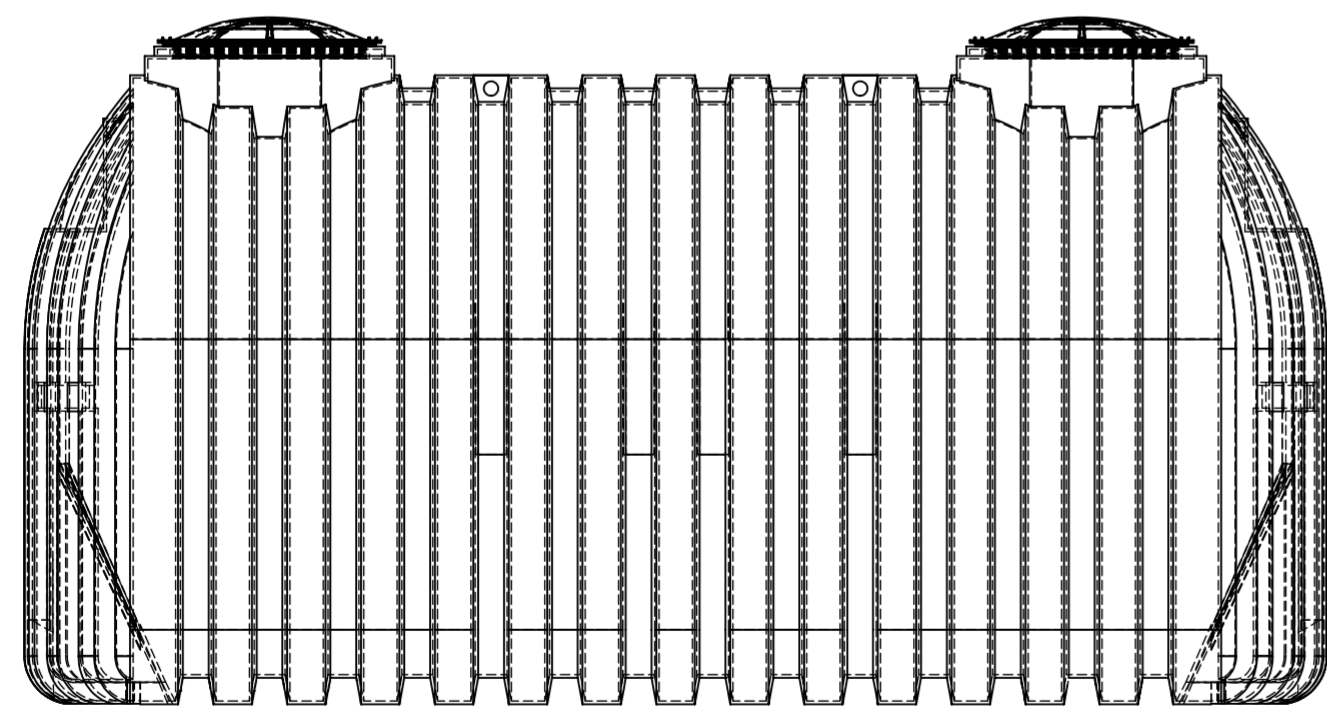
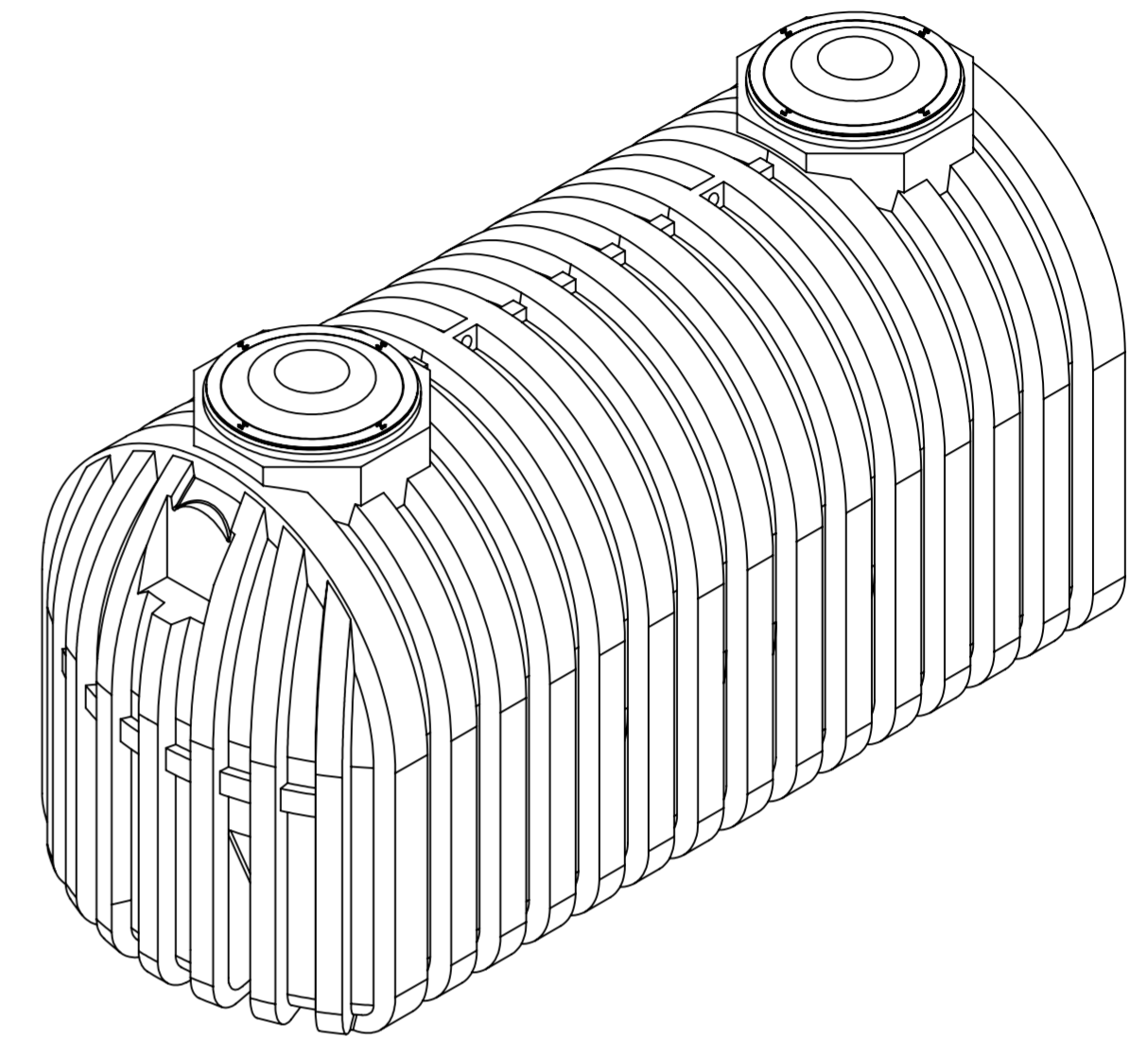
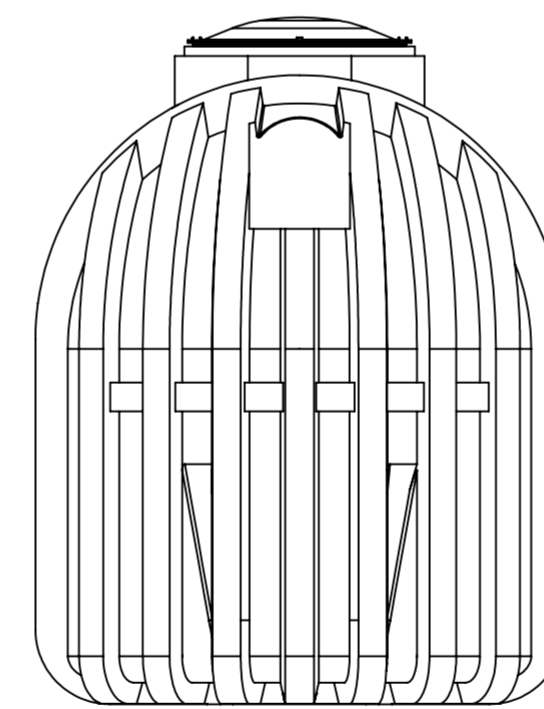


TOP VIEW



SIDE VIEW



FRONT VIEW

ITEM #	MGFR PART #	DESCRIPTION	QTY.
1	88-41330	1700g Cistern Tank; White	1
2	85-SPL-001-L	20" Black Domed Lid: SS Screws	2
3	WTL-001-FM	Tank Adapter Ring	2

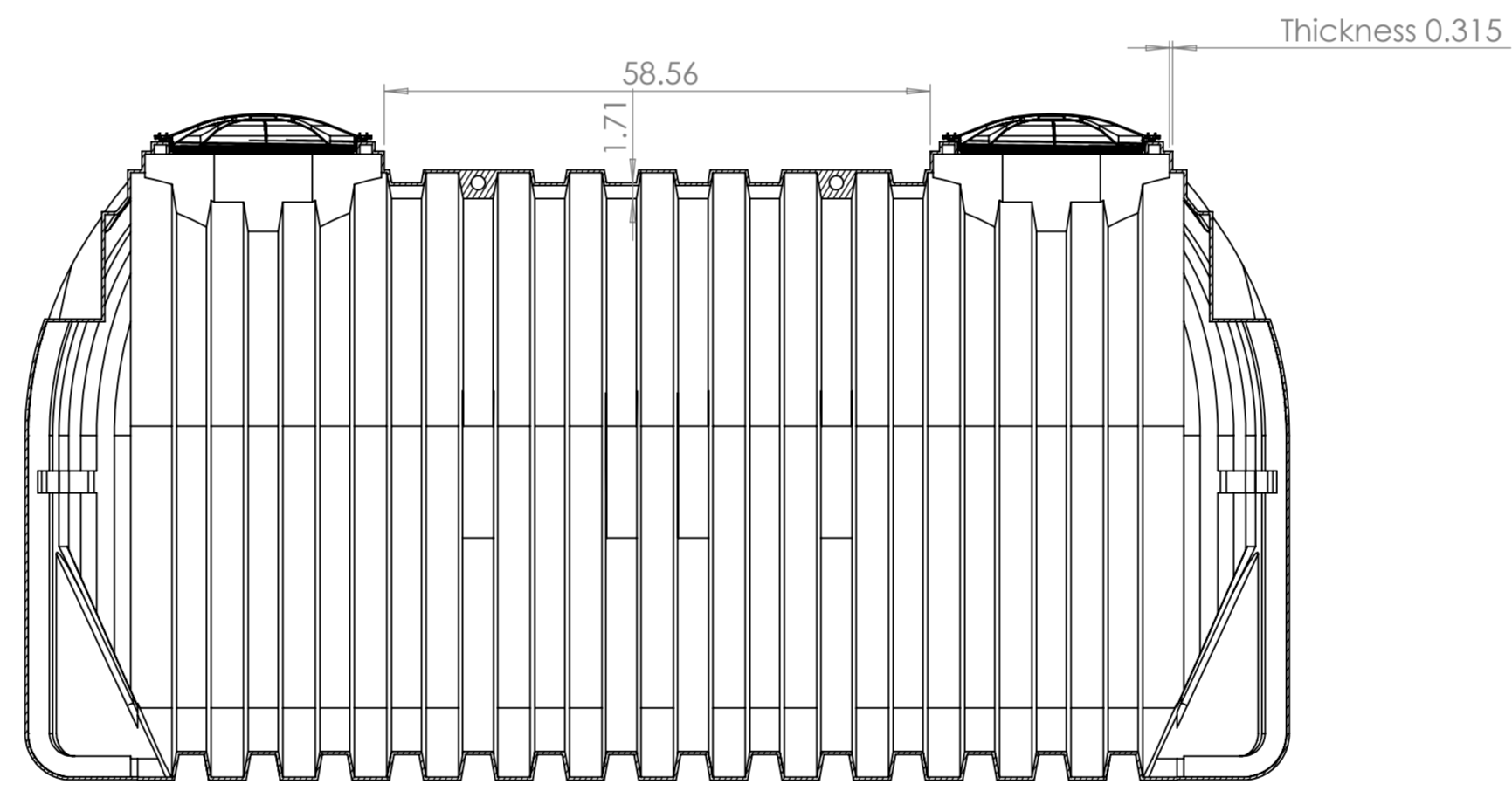
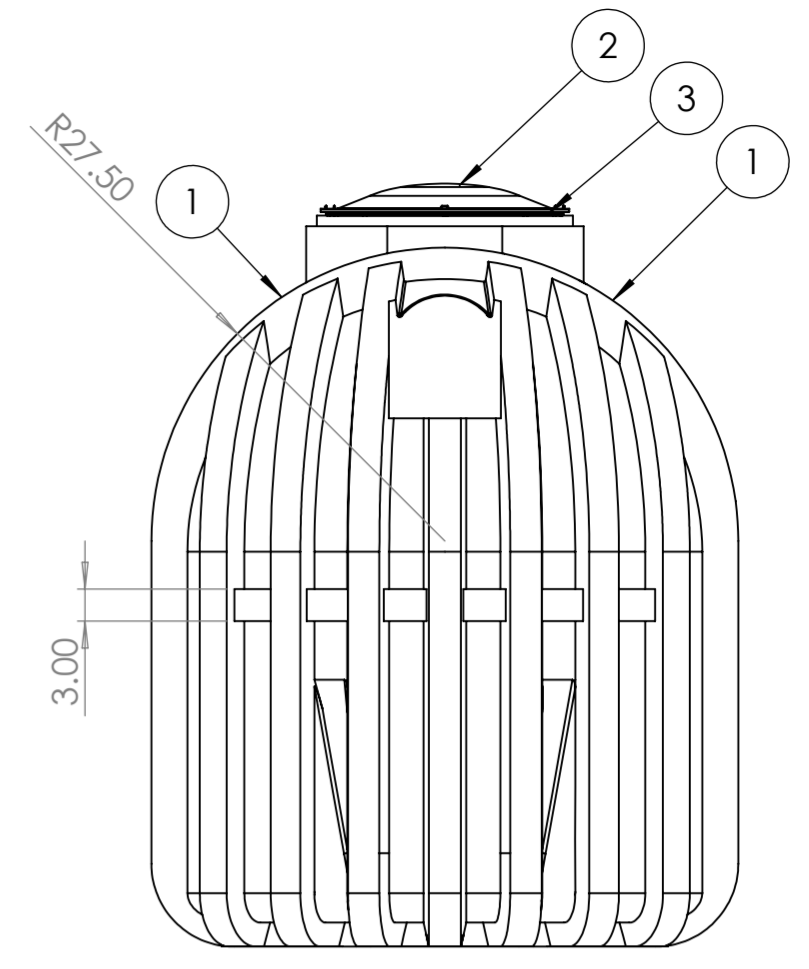
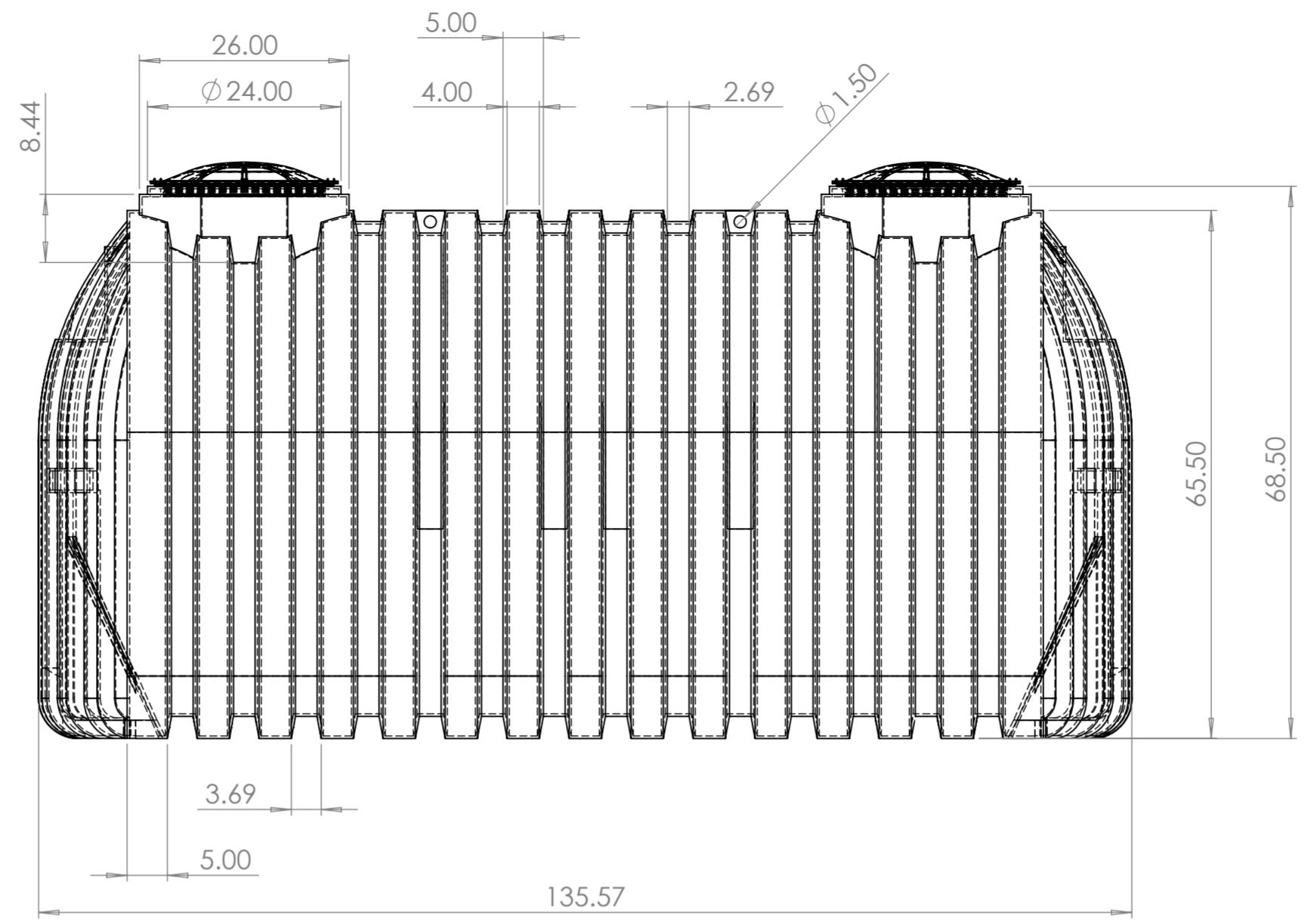
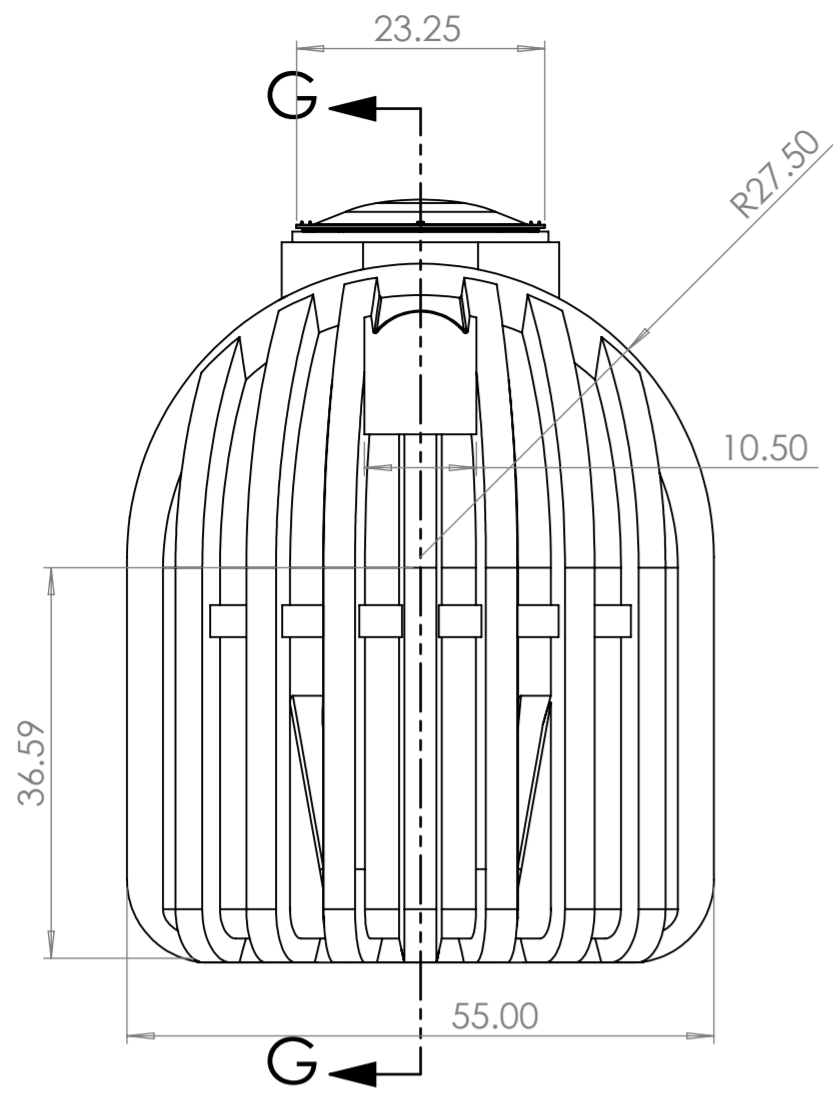
Complies with FDA standards 21 CFR 177.1520 (1) 3.1 and 3.2  
3 year limited warranty

Municipal and County codes may vary from your state approval.  
Please make sure you consult with your local sanitation  
department or plumber on requirements.

UV resistant BPA Free HDPE  
Empty weight: 533  
Shipping Class: 300



UNLESS OTHERWISE SPECIFIED: DIMENSIONS ARE IN MILLIMETERS		FINISH:		DEBURR AND BREAK SHARP EDGES		DO NOT SCALE DRAWING		REVISION	
TOLERANCES: LINEAR: ANGULAR:									
DRAWN	NAME	SIGNATURE	DATE			TITLE:			
CHK'D						88-41330 1700 GALLON ONE COMPARTMENT HDPE SEPTIC TANK			
APP'VD						DWG. NO.		A2	
MFG						SCALE:1:20		SHEET 1 OF 7	
Q.A.				MATERIAL:					
				WEIGHT:					



SECTION G-G  
SCALE 1:18

ITEM #	MGFR PART #	DESCRIPTION	QTY.
1	88-41330	1700g Cistern Tank; White	1
2	85-SPL-001-L	20" Black Domed Lid; SS Screws	2
3	WTL-001-FM	Tank Adapter Ring	2

Complies with FDA standards 21 CFR 177.1520 (1) 3.1 and 3.2  
3 year limited warranty

Municipal and County codes may vary from your state approval.  
Please make sure you consult with your local sanitation  
department or plumber on requirements.

UV resistant BPA Free HDPE  
Empty weight: 533  
Shipping Class: 300



UNLESS OTHERWISE SPECIFIED: DIMENSIONS ARE IN MILLIMETERS		FINISH:		DEBURR AND BREAK SHARP EDGES		DO NOT SCALE DRAWING		REVISION	
SURFACE FINISH:									
TOLERANCES:									
LINEAR:									
ANGULAR:									
DRAWN	NAME	SIGNATURE	DATE			TITLE: 88-41330 1700 GALLON ONE COMPARTMENT HDPE SEPTIC TANK			
CHKD									
APPVD									
MFG									
Q.A.						MATERIAL:		DWG. NO. A2	
						WEIGHT:		SCALE:1:20 SHEET 3 OF 7	