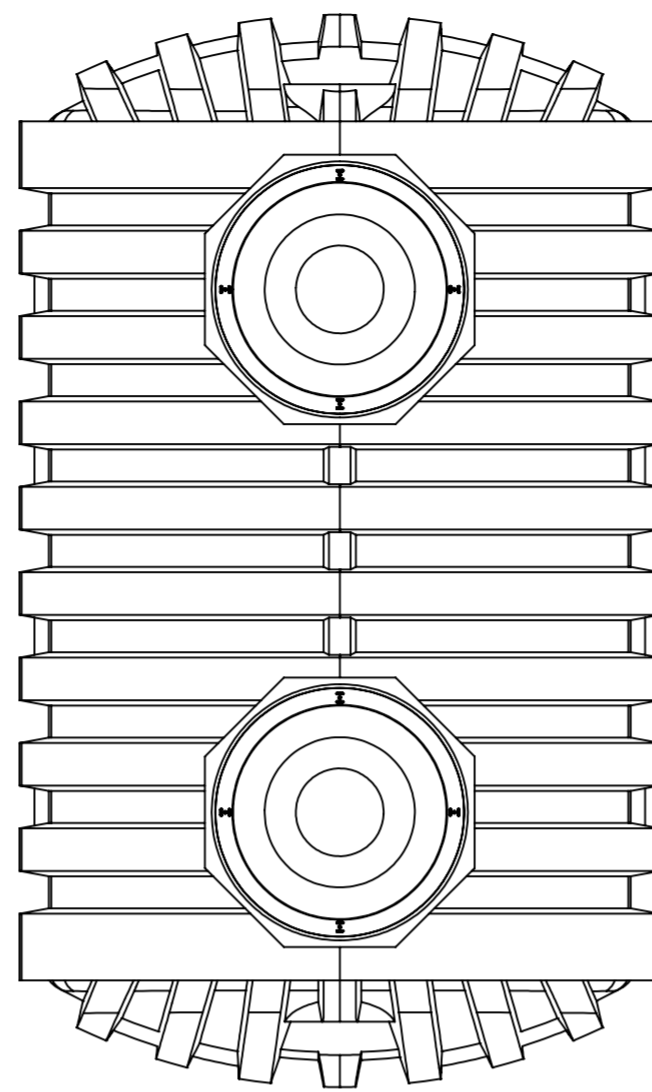
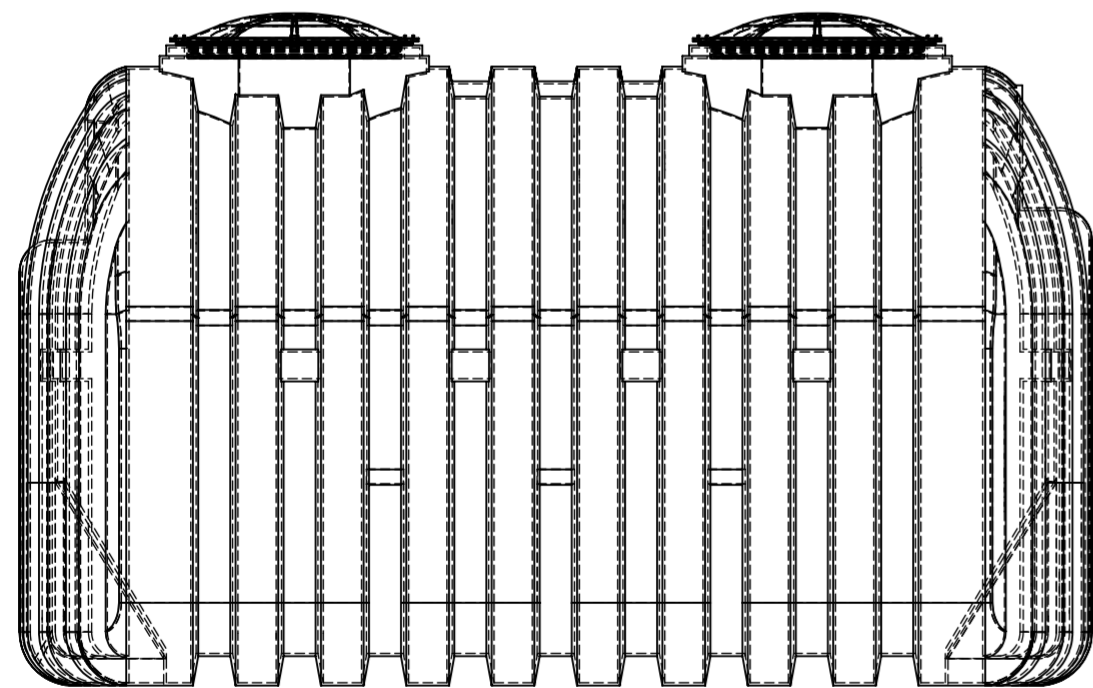
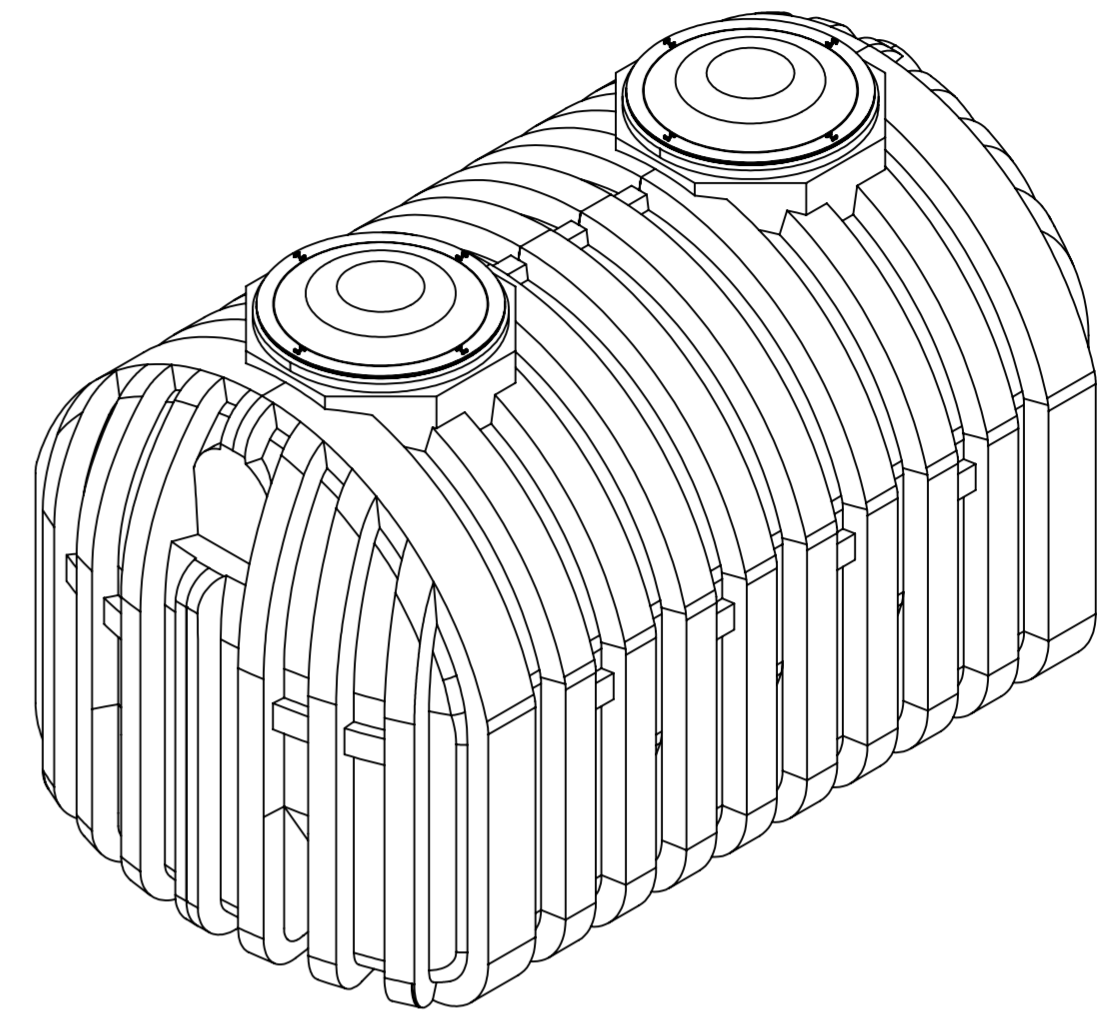


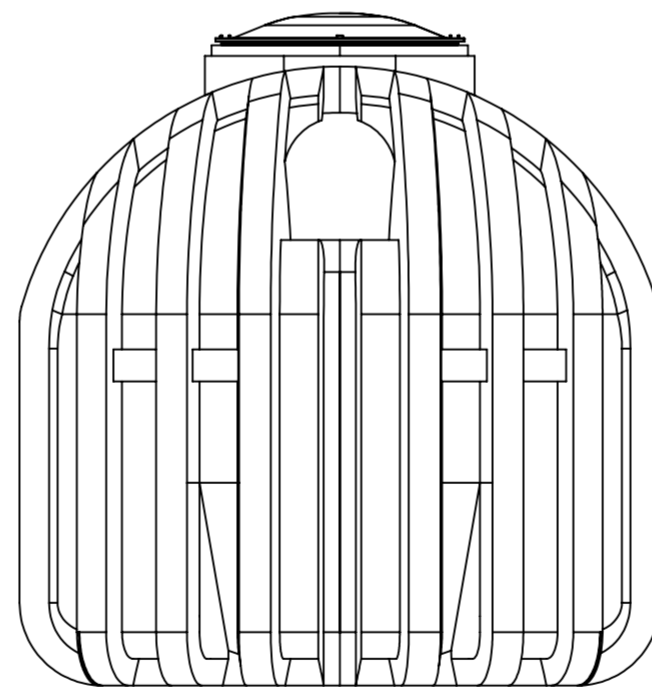
EXPLODED VIEW



TOP VIEW



SIDE VIEW



END VIEW

| ITEM # | MFGR PART # | DESCRIPTION | QTY. |
|--------|--------------|--------------------------------|------|
| 1 | 88-41329 | 1200g Cistern Tank, White | 1 |
| 2 | 85-SPL-001-L | 20" Black Domed Lid; SS Screws | 2 |
| 3 | WTL-001-FM | Tank Adapter Ring | 2 |

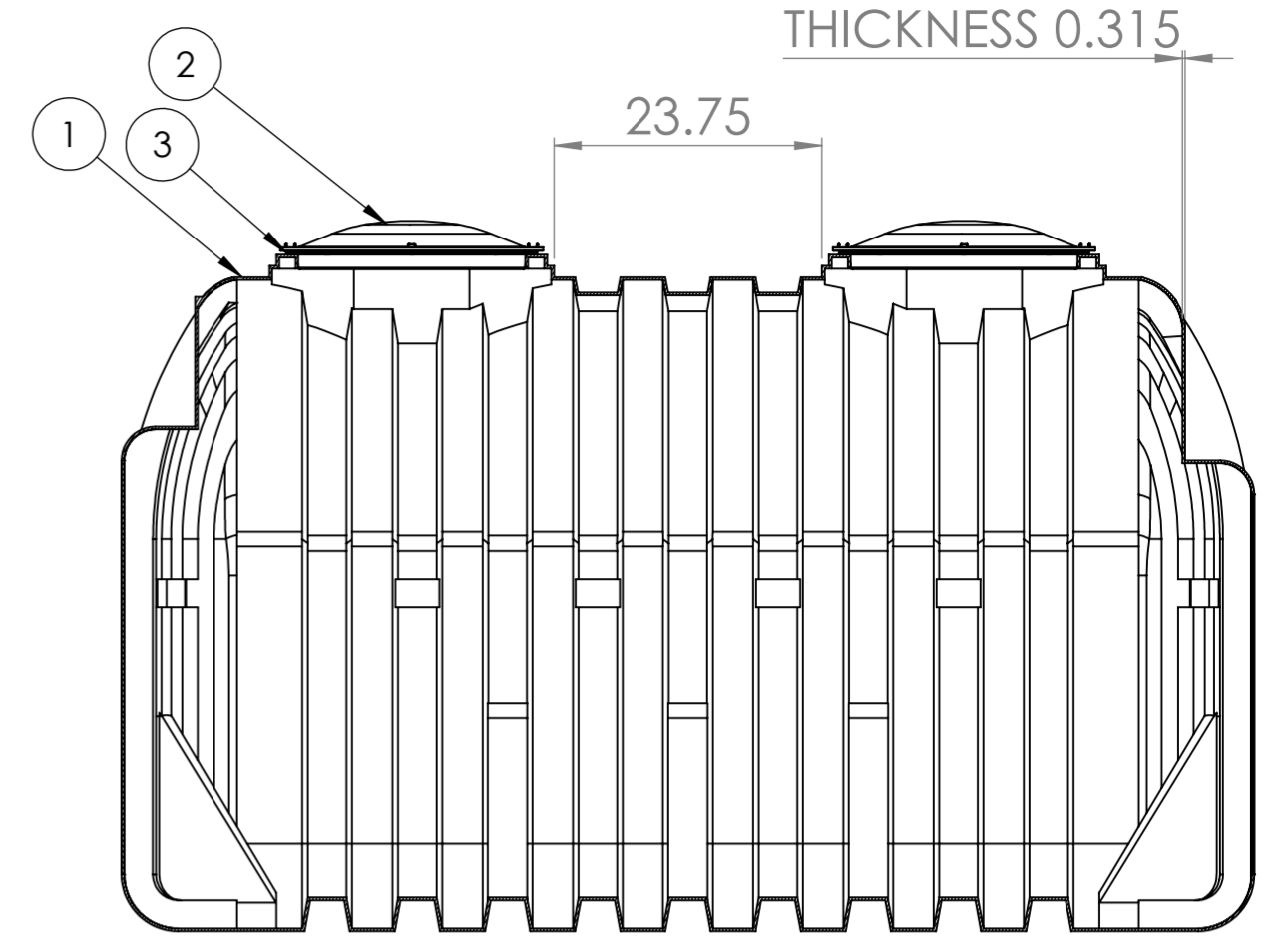
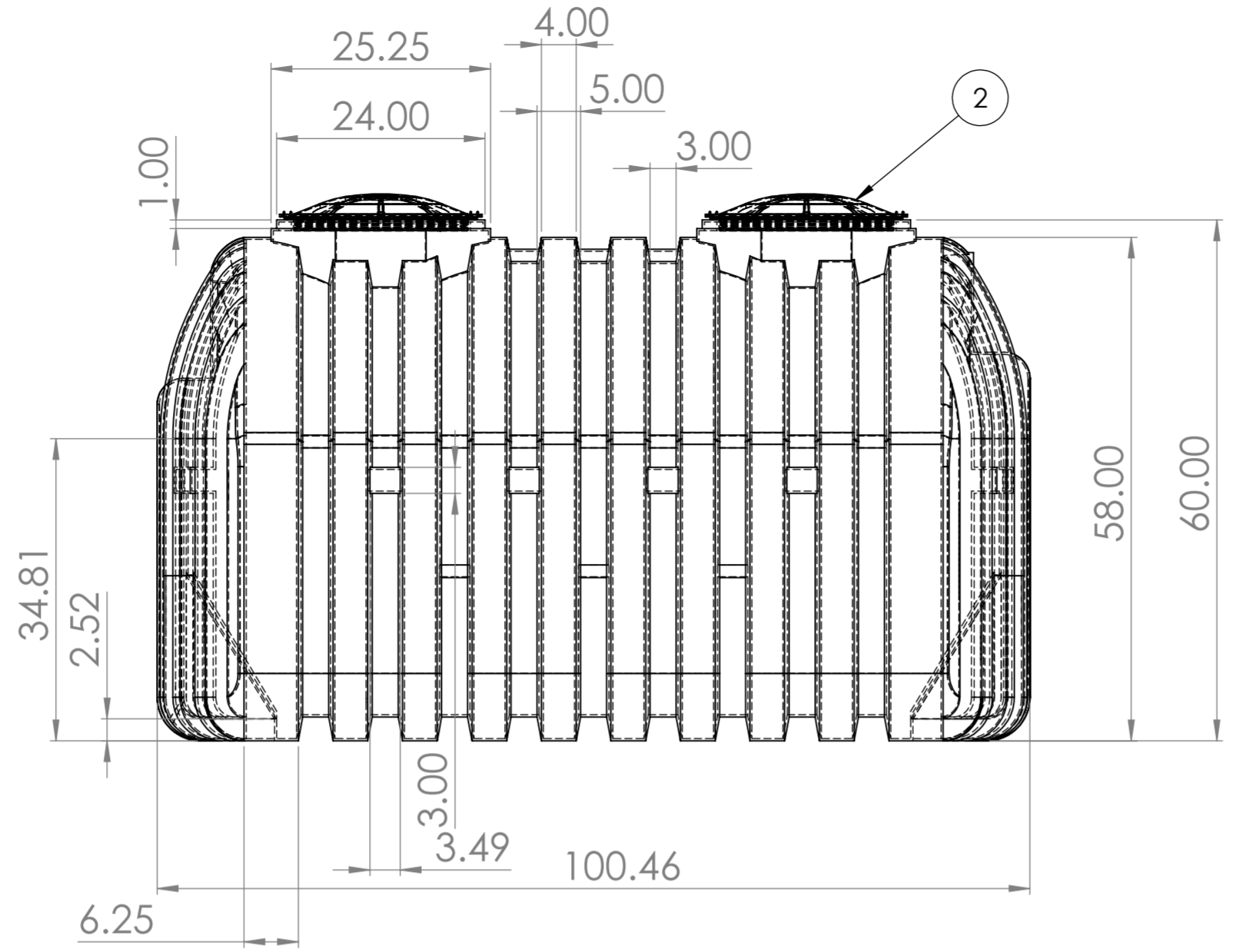
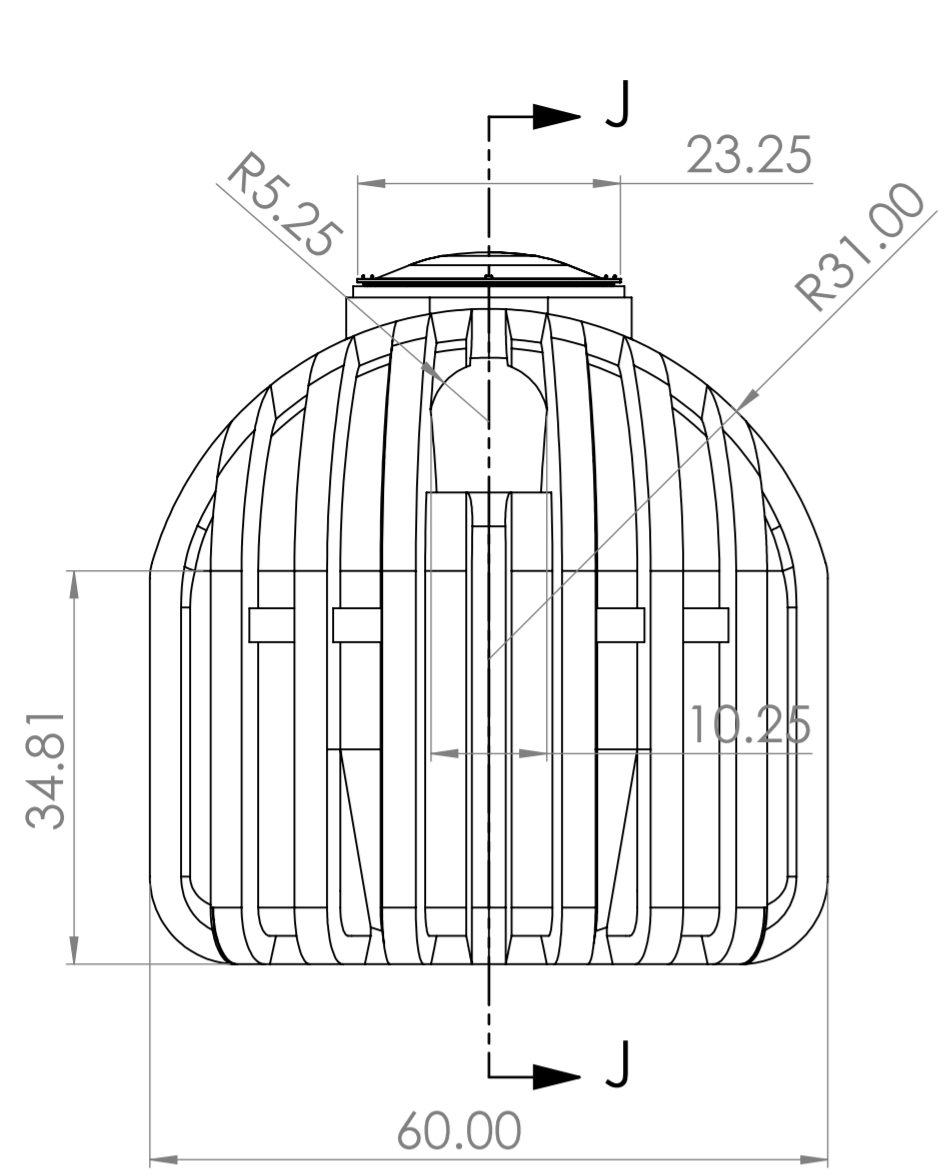
Complies with FDA standards 21 CFR 177.1520 (1) 3.1 and 3.2
3 year limited warranty

Municipal and County codes may vary from your state approval.
Please make sure you consult with your local sanitation department
or plumber on requirements.

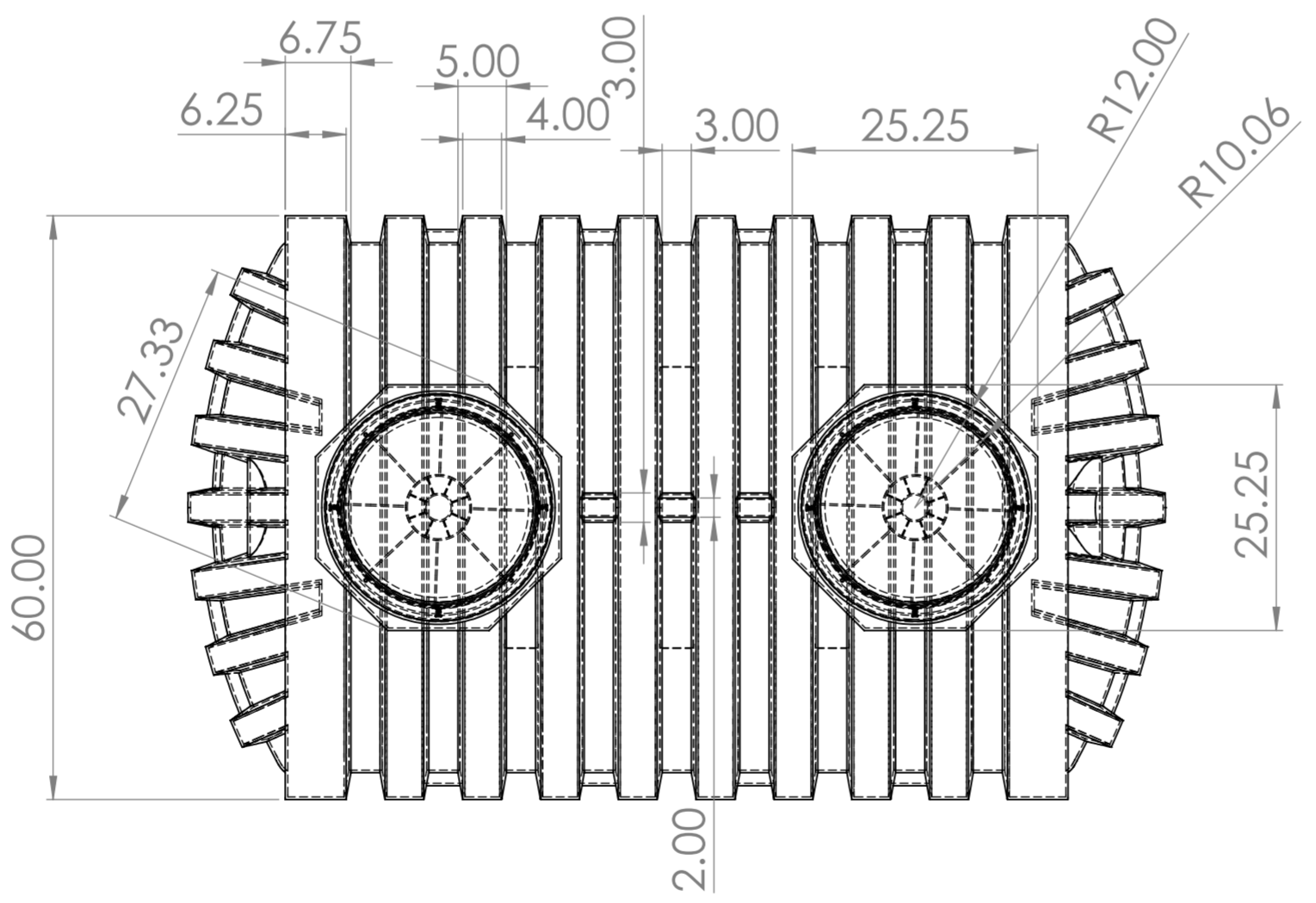
UV resistant BPA Free HDPE
Empty weight: 373
Shipping Class: 300



| | | | | | | | | | |
|--|------|-----------|------|------------------------------|--|--|--|--------------|--|
| UNLESS OTHERWISE SPECIFIED: DIMENSIONS ARE IN MILLIMETERS | | FINISH: | | DEBURR AND BREAK SHARP EDGES | | DO NOT SCALE DRAWING | | REVISION | |
| SURFACE FINISH: | | | | | | | | | |
| TOLERANCES: | | | | | | | | | |
| LINEAR: | | | | | | | | | |
| ANGULAR: | | | | | | | | | |
| DRAWN | NAME | SIGNATURE | DATE | | | TITLE: 88-41329 1200 GALLON ONE COMPARTMENT HDPE SEPTIC TANK, WHITE | | | |
| CHKD | | | | | | | | | |
| APPVD | | | | | | | | | |
| MFG | | | | | | | | | |
| Q.A. | | | | | | MATERIAL: | | DWG. NO. | |
| | | | | | | WEIGHT: | | SCALE:1:18 | |
| | | | | | | | | SHEET 1 OF 7 | |



SECTION J-J
SCALE 1:17



| ITEM # | MFGR PART # | DESCRIPTION | QTY. |
|--------|--------------|--------------------------------|------|
| 1 | 88-41329 | 1200g Cistern Tank, White | 1 |
| 2 | 85-SPL-001-L | 20" Black Domed Lid; SS Screws | 2 |
| 3 | WTL-001-FM | Tank Adapter Ring | 2 |

Complies with FDA standards 21 CFR 177.1520 (1) 3.1 and 3.2
3 year limited warranty

Municipal and County codes may vary from your state approval.
Please make sure you consult with your local sanitation department
or plumber on requirements.

UV resistant BPA Free HDPE
Empty weight: 373
Shipping Class: 300



| | | | | | | | | | |
|--|------|-----------|------|------------------------------|--|--|--|--------------|--|
| UNLESS OTHERWISE SPECIFIED: DIMENSIONS ARE IN MILLIMETERS | | FINISH: | | DEBURR AND BREAK SHARP EDGES | | DO NOT SCALE DRAWING | | REVISION | |
| TOLERANCES: LINEAR: ANGULAR: | | | | | | | | | |
| DRAWN | NAME | SIGNATURE | DATE | | | TITLE: | | | |
| CHKD | | | | | | 88-41329 1200 GALLON ONE COMPARTMENT HDPE SEPTIC TANK, WHITE | | | |
| APPVD | | | | | | DWG NO. | | A2 | |
| MFG | | | | | | MATERIAL: | | | |
| Q.A. | | | | | | WEIGHT: | | | |
| | | | | | | SCALE: 1:18 | | SHEET 3 OF 7 | |