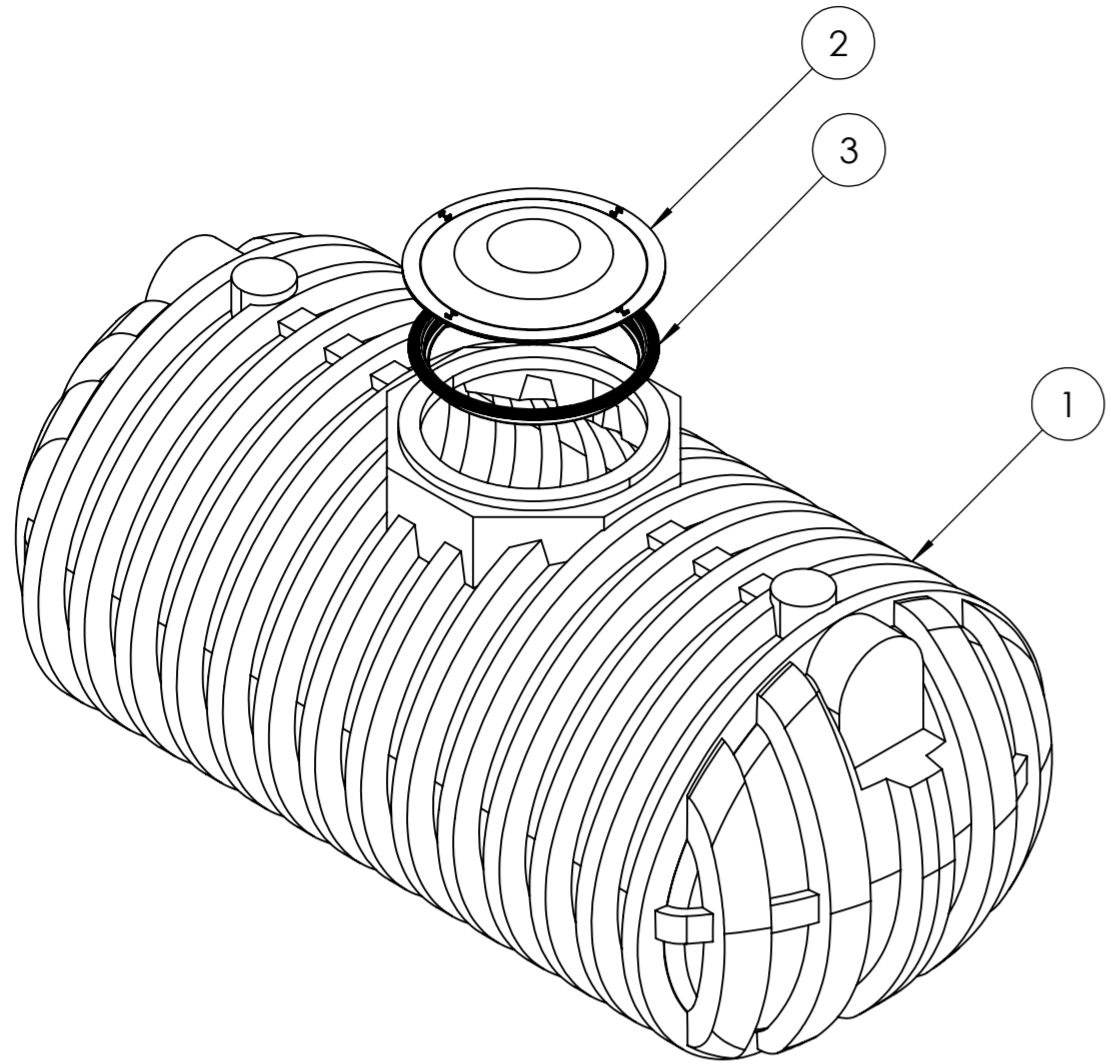


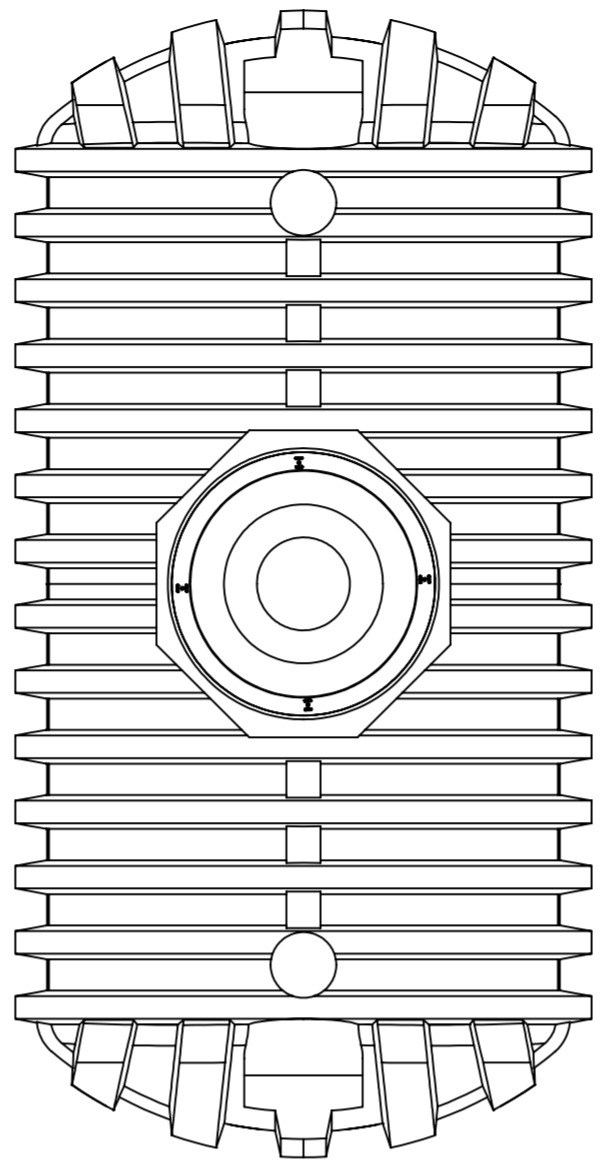
12 11 10 9 8 7 6 5 4 3 2 1

H
G
F
E
D
C
B
A

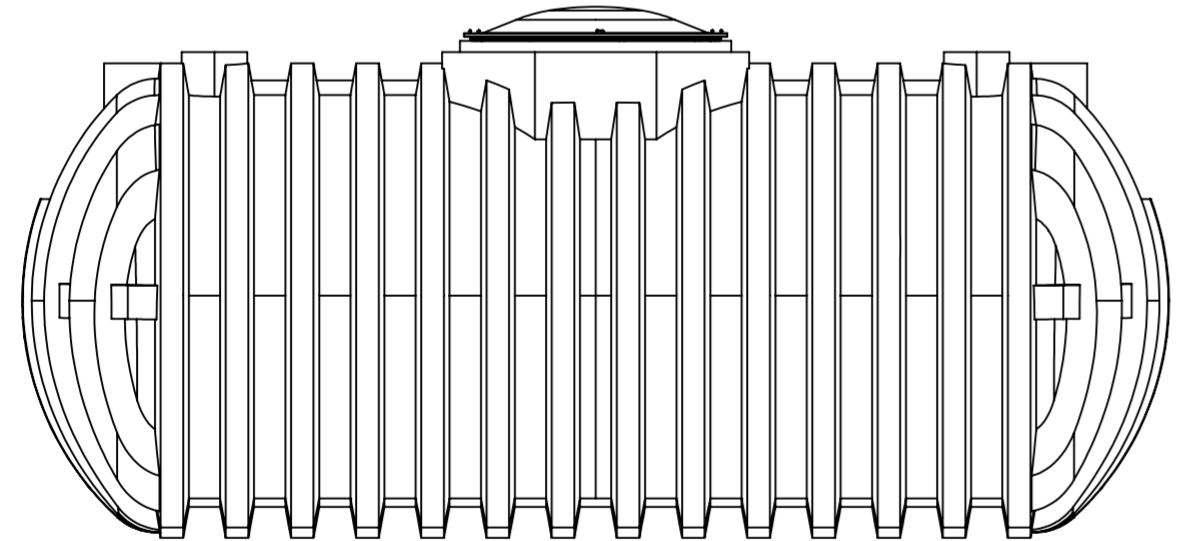
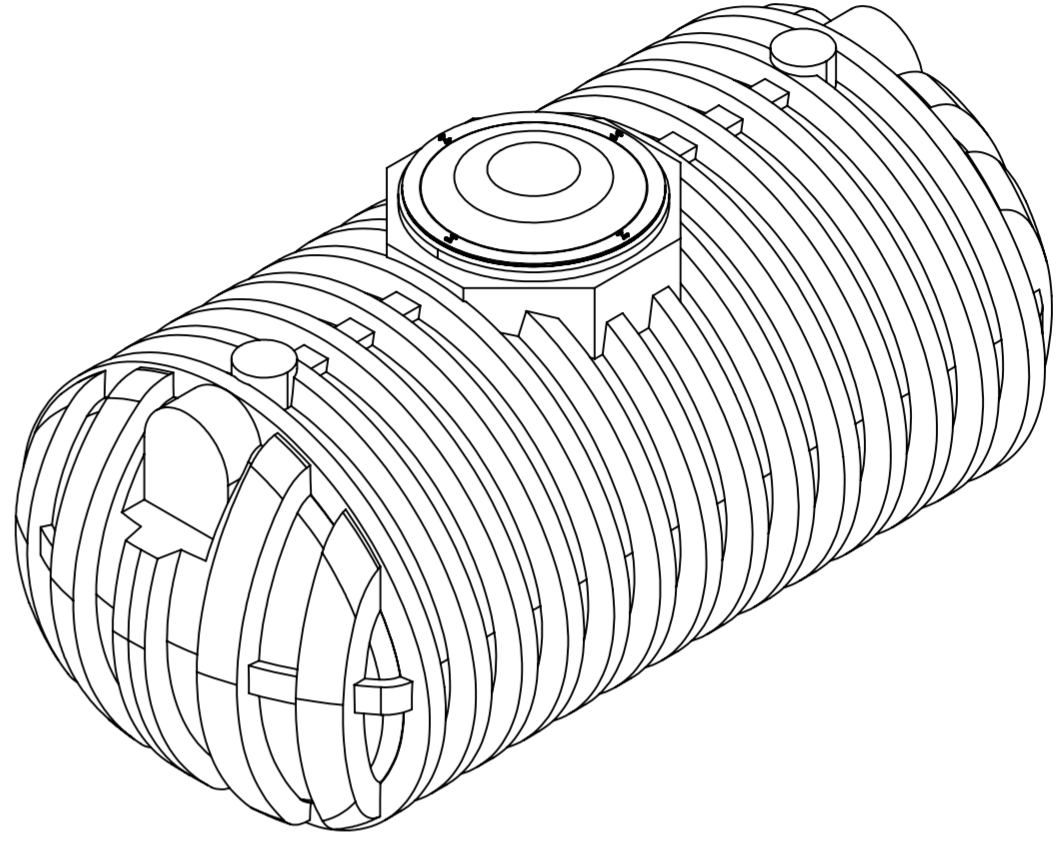
H
G
F
E
D
C
B
A



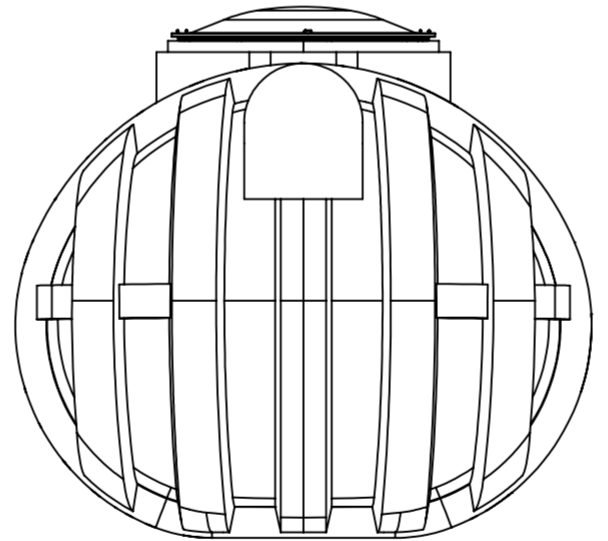
Exploded View



Top View



Side View



End View

All Wall Thickness :
.315" +/- .07"

ITEM #	MFGR PART #	DESCRIPTION	QTY.
1	88-41328	600g White Cistern Tank	1
2	85-SPL-001-L	20" Black Domed Lid: SS Screws	1
3	WTL-001-FM	Tank Adapter Ring	1

Complies with FDA standards 21 CFR 177.1520 (1) 3.1 and 3.2
3 year limited warranty

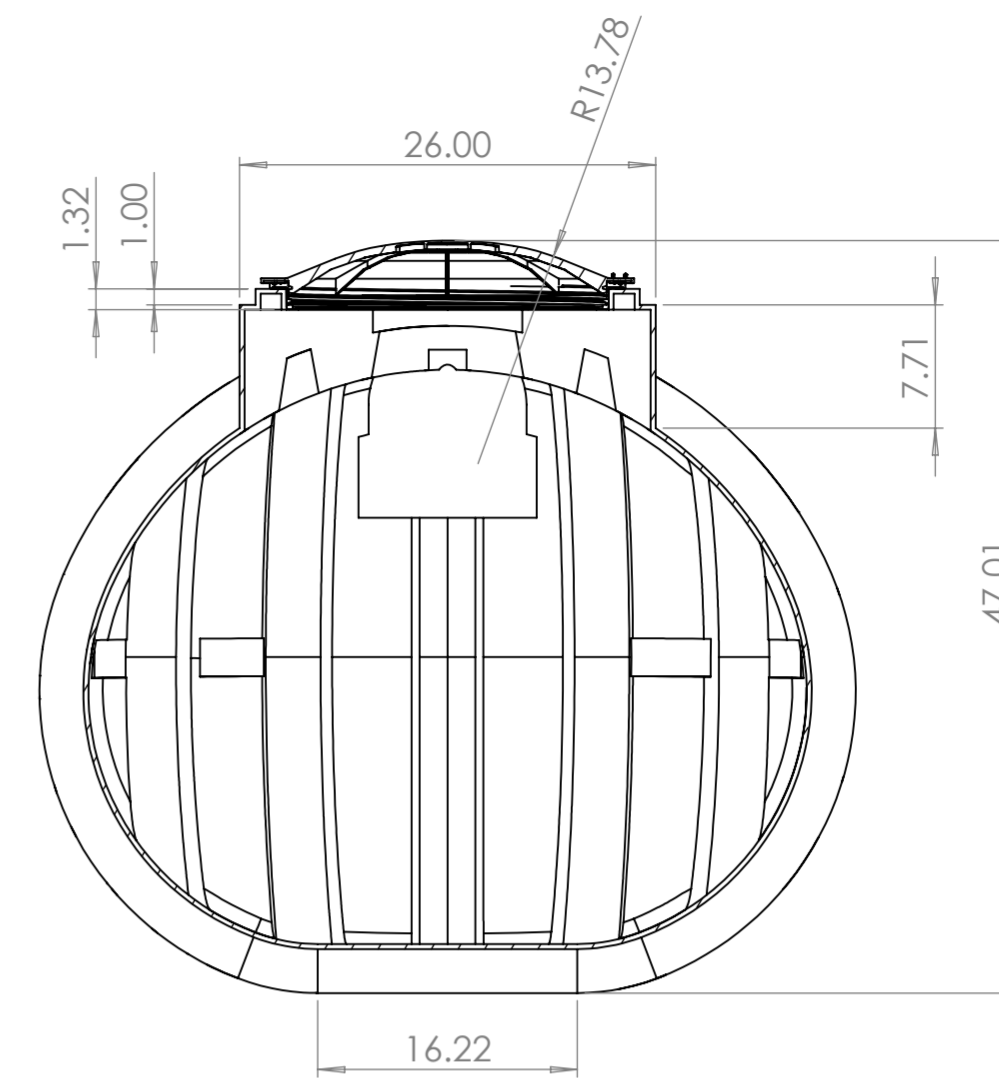
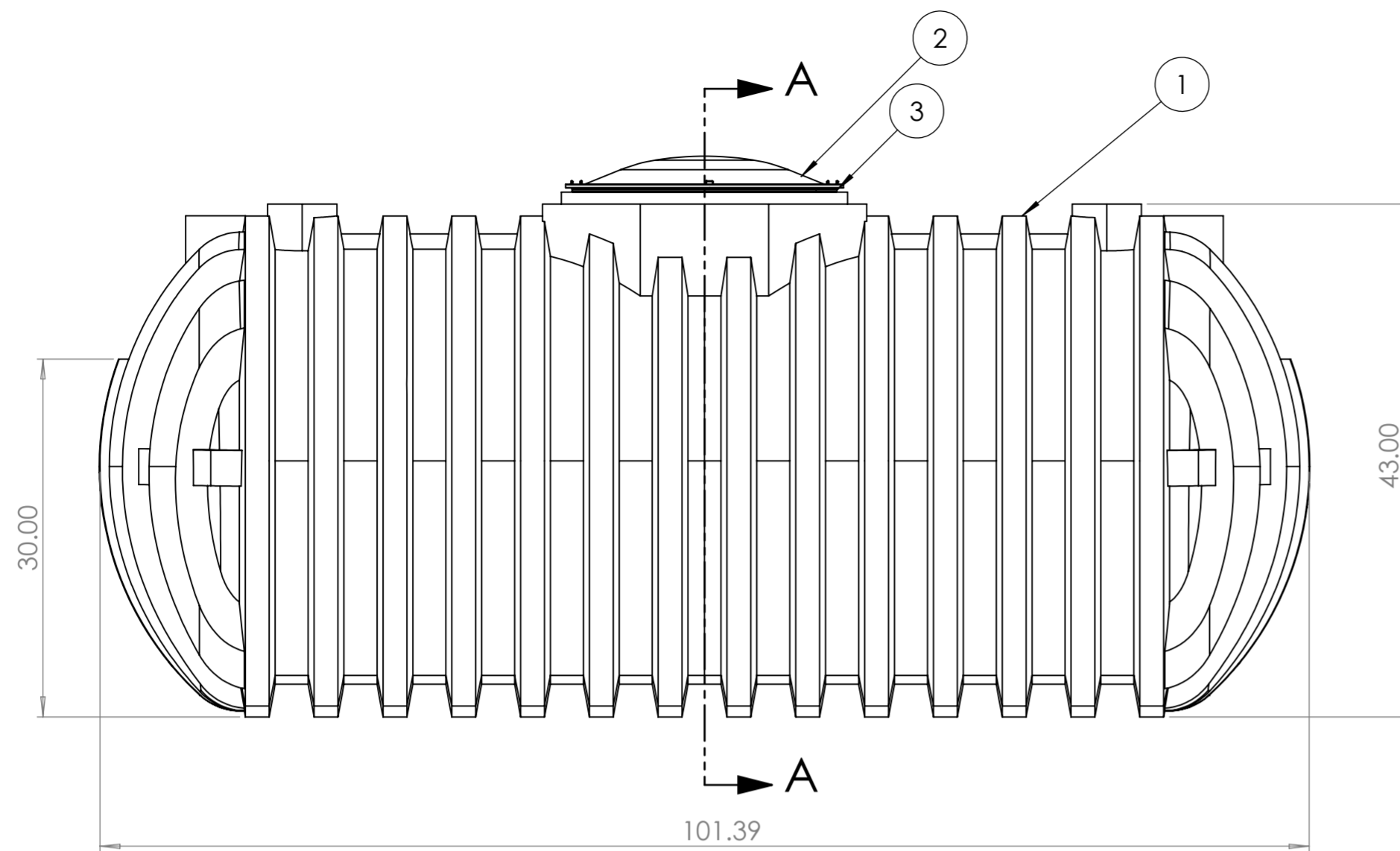
Municipal and County codes may vary from your state approval.
Please make sure you consult with your local sanitation department
or plumber on requirements.

UV resistant BPA Free HDPE
Empty weight: 204
Shipping Class: 300

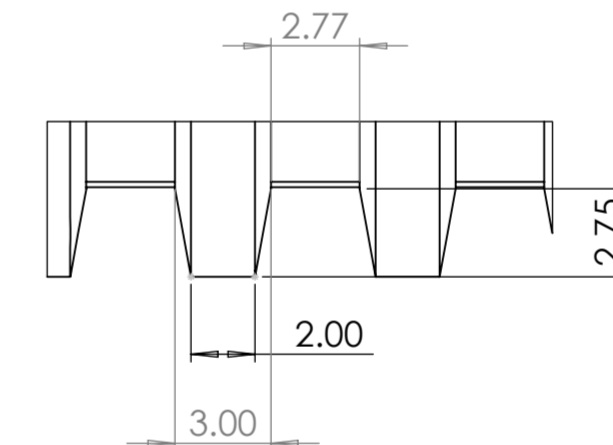
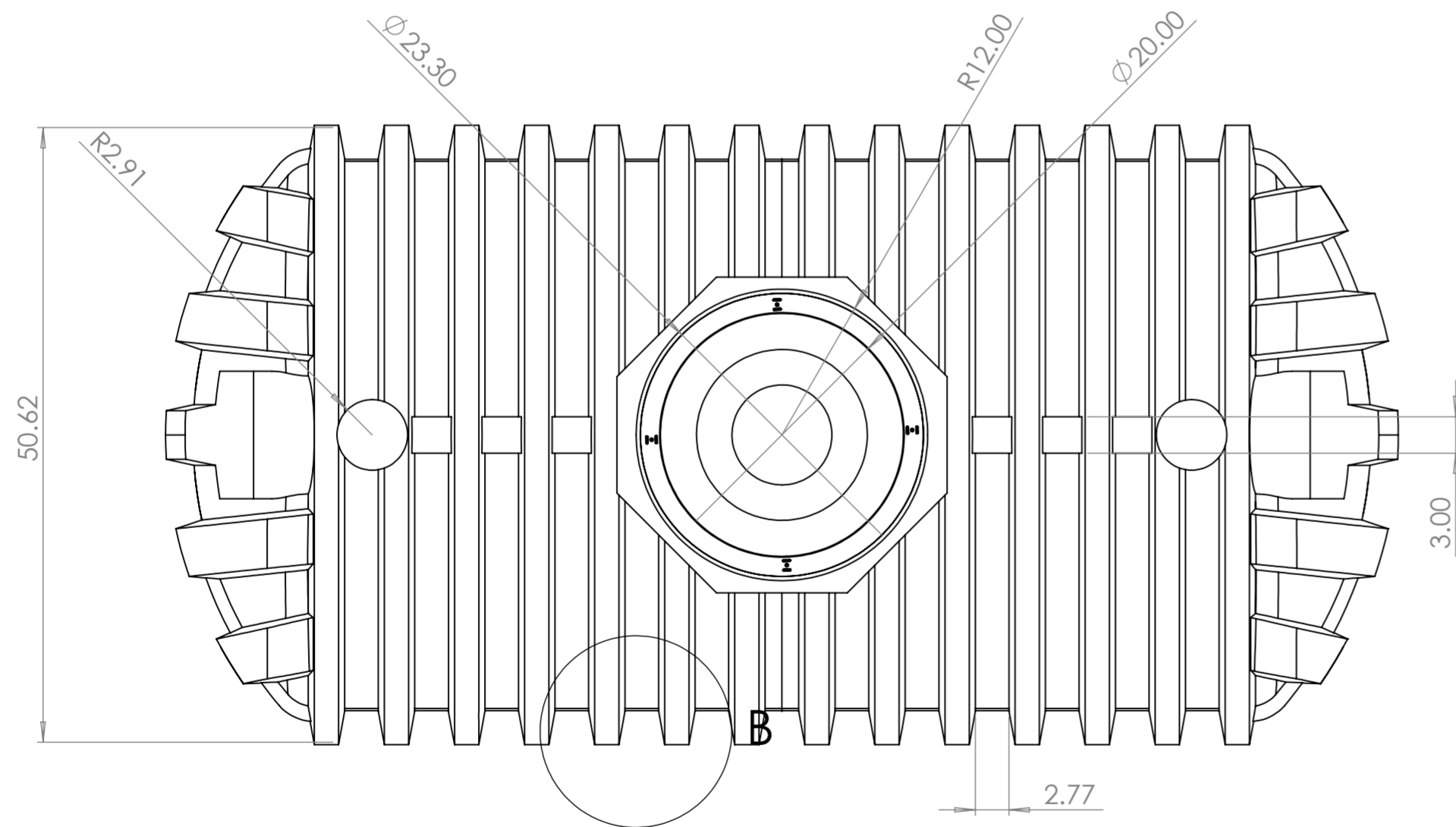


UNLESS OTHERWISE SPECIFIED: DIMENSIONS ARE IN MILLIMETERS		FINISH:		DEBURR AND BREAK SHARP EDGES		DO NOT SCALE DRAWING		REVISION	
SURFACE FINISH:									
TOLERANCES:									
LINEAR:									
ANGULAR:									
DRAWN	NAME	SIGNATURE	DATE	TITLE:		88-41328 600 GALLON ONE COMPARTMENT HDPE WHITE CISTERN TANK.			
CHKD				DWG NO.				A2	
APPVD				SCALE:1:17				SHEET 1 OF 3	
MFG				WEIGHT:					
Q.A.									

12 11 10 9 8 7 6 5 4 3 2 1



SECTION A-A
SCALE 1 : 12



DETAIL B
SCALE 1 : 6
Rib Detail

All Wall
Thickness :
.315" +/- .07"

ITEM #	MFGR PART #	DESCRIPTION	QTY.
1	88-41328	600g White Cistern Tank	1
2	85-SPL-001-L	20" Black Domed Lid: SS Screws	1
3	WTL-001-FM	Tank Adapter Ring	1

Complies with FDA standards 21 CFR 177.1520 (1) 3.1 and 3.2
3 year limited warranty

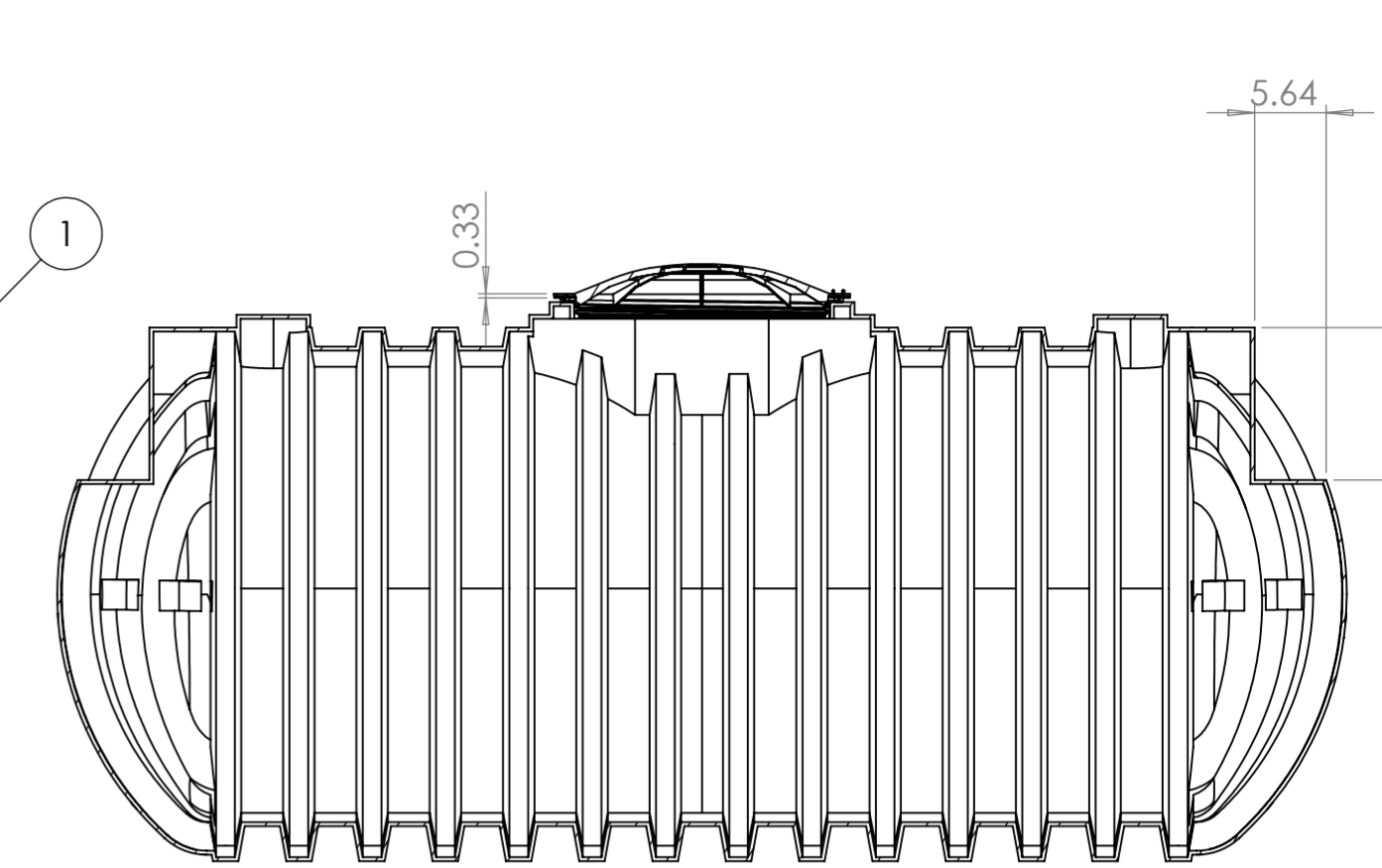
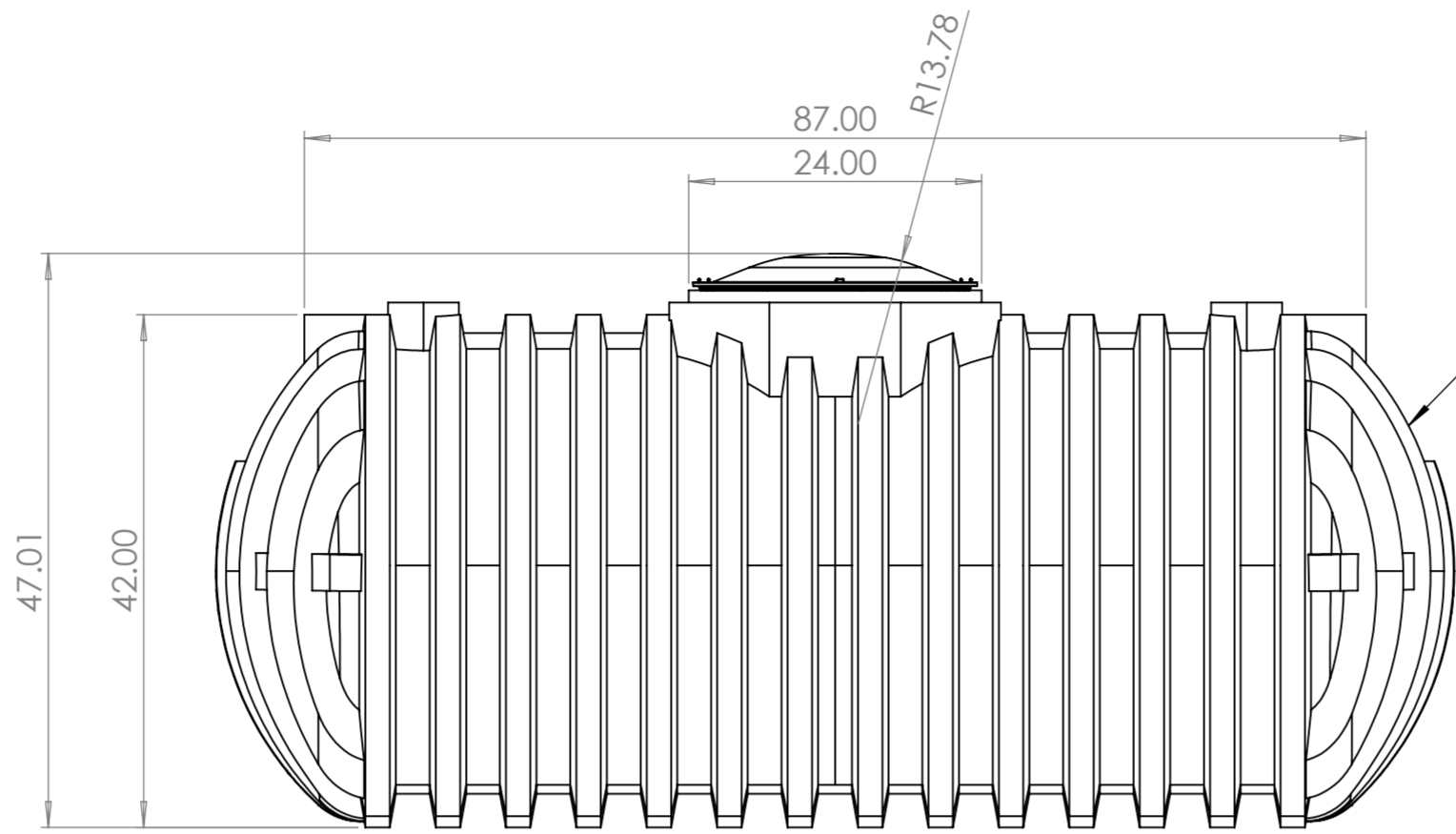
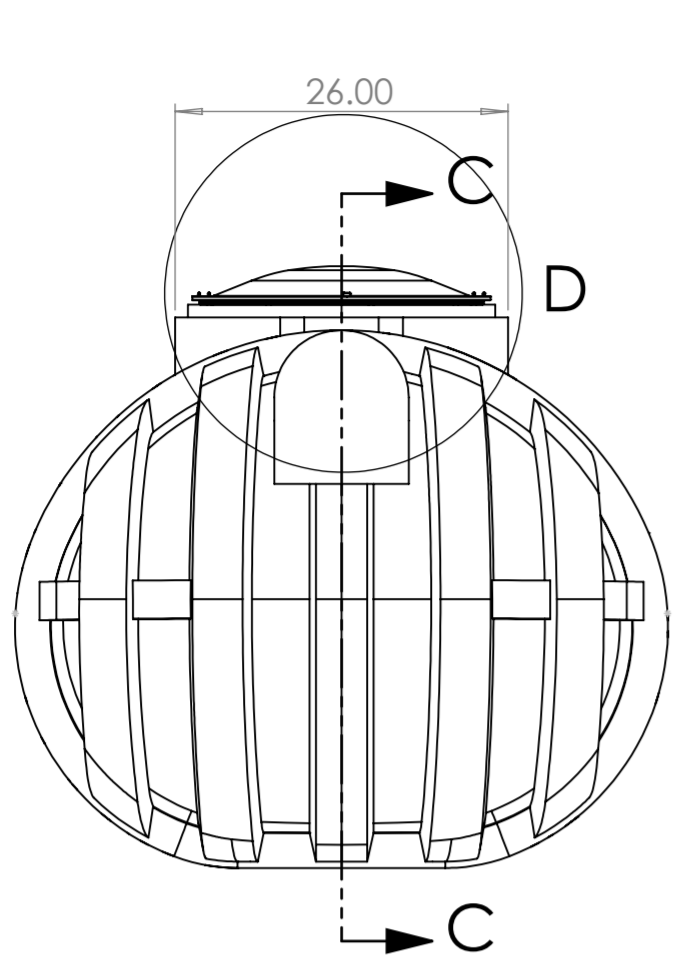
Municipal and County codes may vary from your state approval.
Please make sure you consult with your local sanitation department
or plumber on requirements.

UV resistant BPA Free HDPE
Empty weight: 204
Shipping Class: 300

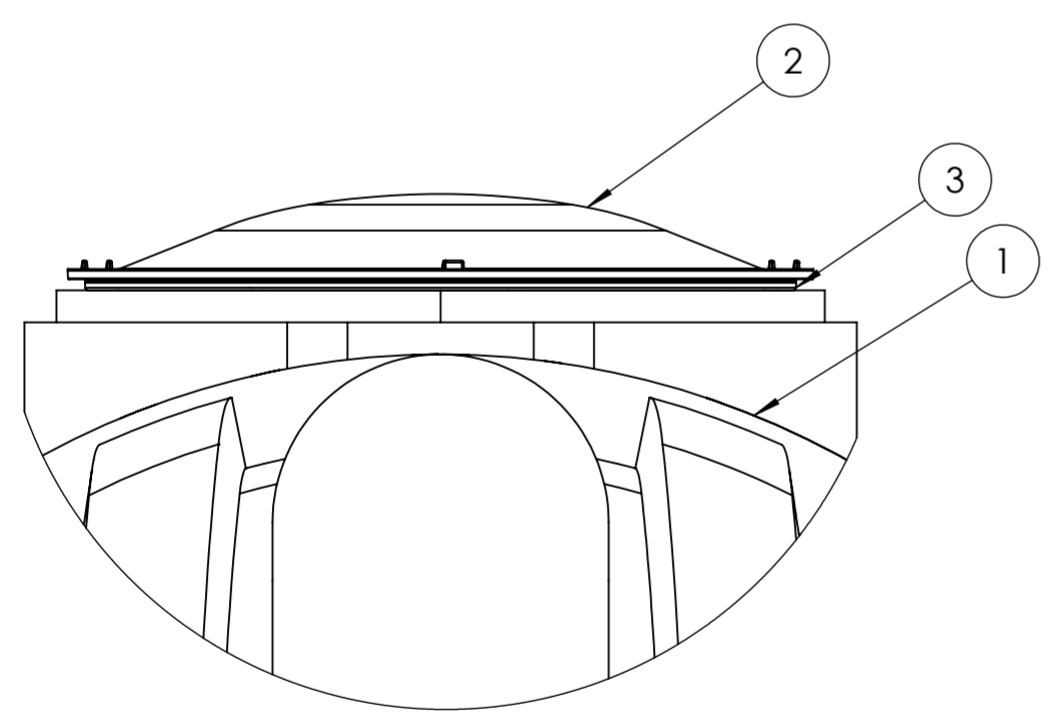


UNLESS OTHERWISE SPECIFIED: DIMENSIONS ARE IN MILLIMETERS SURFACE FINISH: TOLERANCES: LINEAR: ANGULAR:			FINISH:	DEBURR AND BREAK SHARP EDGES	DO NOT SCALE DRAWING	REVISION
DRAWN			NAME	SIGNATURE	DATE	TITLE:
CHKD						88-41328 600 GALLON ONE COMPARTMENT HDPE WHITE CISTERN TANK.
APPVD						DWG NO.
MFG						A2
Q.A.						SCALE:1:12
MATERIAL:			WEIGHT:			SHEET 2 OF 3

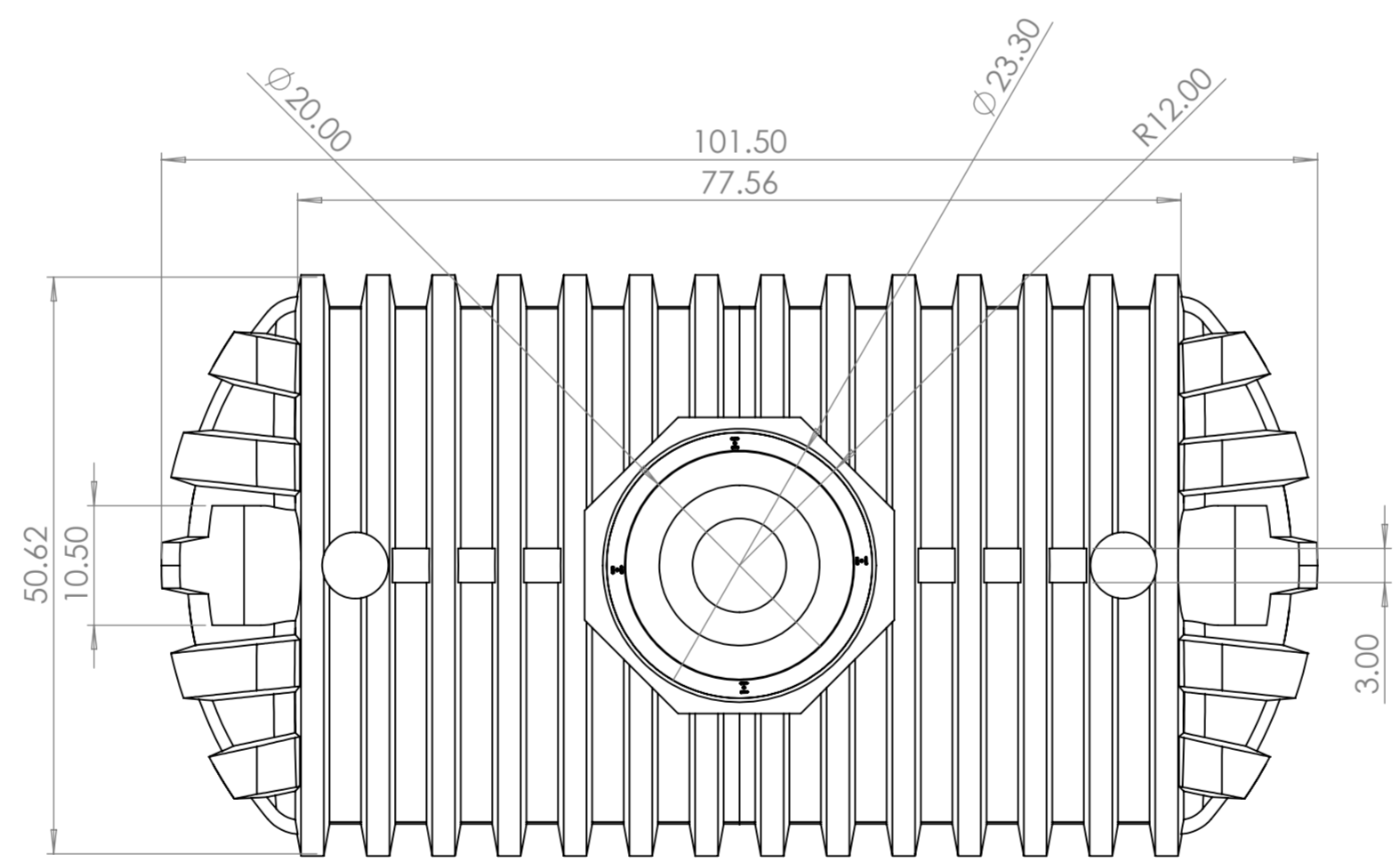




SECTION C-C
SCALE 1:15



DETAIL D
SCALE 1:6



All Wall Thickness : .315" +/- .07"

ITEM #	MFGR PART #	DESCRIPTION	QTY.
1	88-41328	600g White Cistern Tank	1
2	85-SPL-001-L	20" Black Domed Lid: SS Screws	1
3	WTL-001-FM	Tank Adapter Ring	1

Complies with FDA standards 21 CFR 177.1520 (1) 3.1 and 3.2
3 year limited warranty

Municipal and County codes may vary from your state approval.
Please make sure you consult with your local sanitation department
or plumber on requirements.

UV resistant BPA Free HDPE
Empty weight: 204
Shipping Class: 300



UNLESS OTHERWISE SPECIFIED: DIMENSIONS ARE IN MILLIMETERS		FINISH:	DEBURR AND BREAK SHARP EDGES	DO NOT SCALE DRAWING	REVISION
TOLERANCES: LINEAR: ANGULAR:				TITLE: 88-41328 600 GALLON ONE COMPARTMENT HDPE WHITE CISTERN TANK.	
DRAWN	NAME	SIGNATURE	DATE	DWG NO.	A2
CHKD					
APPVD					
MFG					
Q.A.					
WEIGHT:		MATERIAL:		SCALE:1:15	

