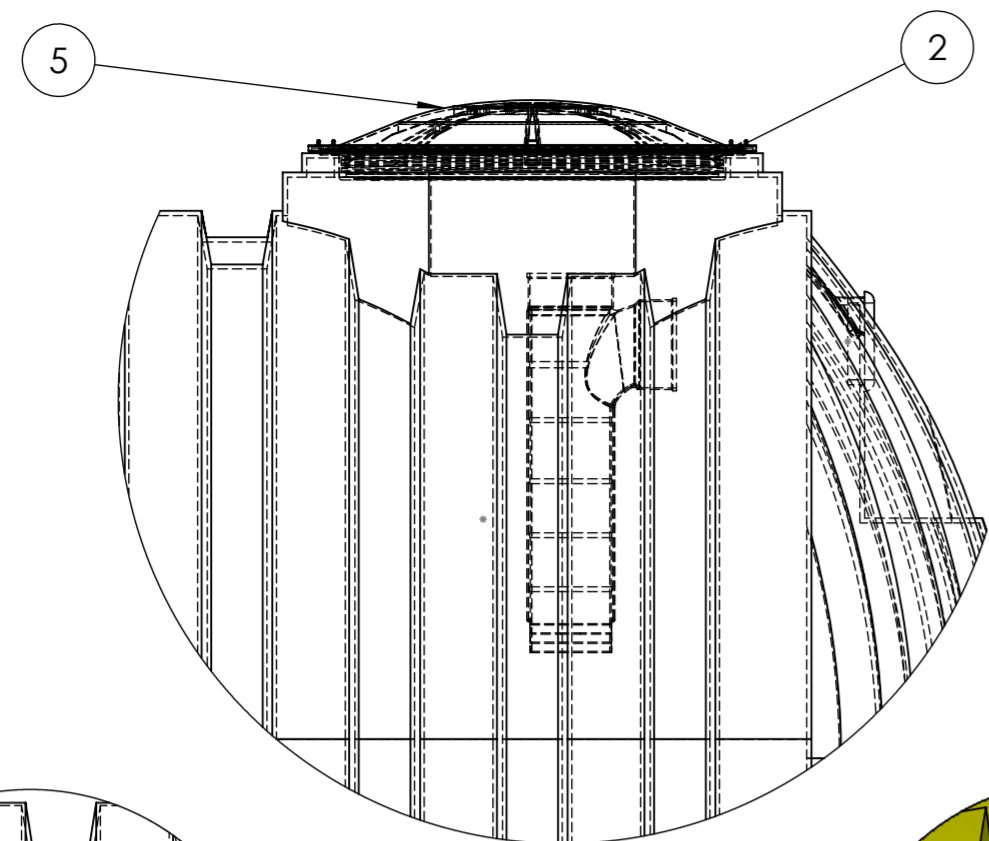


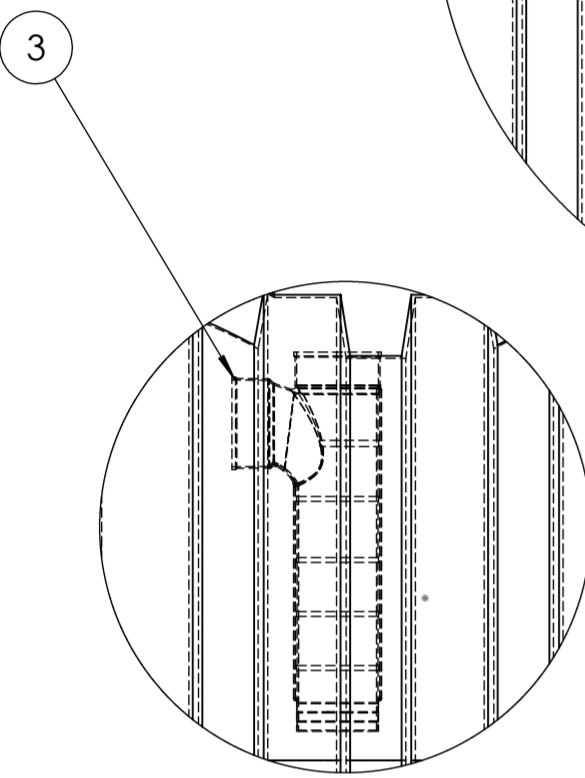
12 11 10 9 8 7 6 5 4 3 2 1

H
G
F
E
D
C
B
A

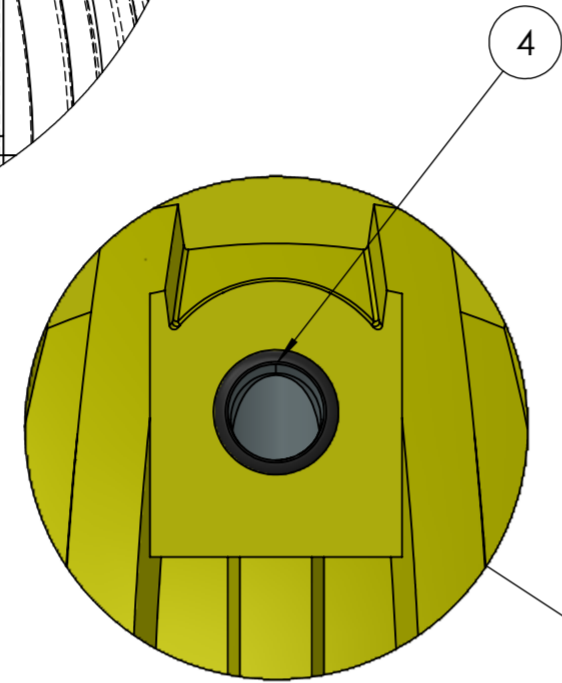
H
G
F
E
D
C
B
A



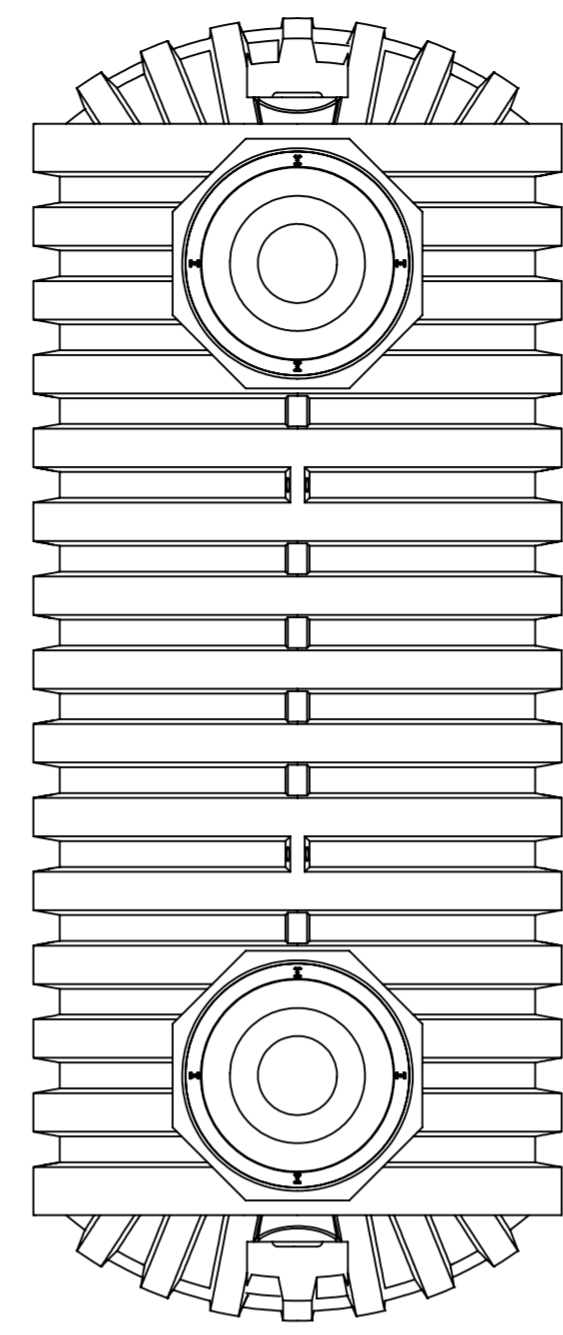
DETAIL B
SCALE 1:10



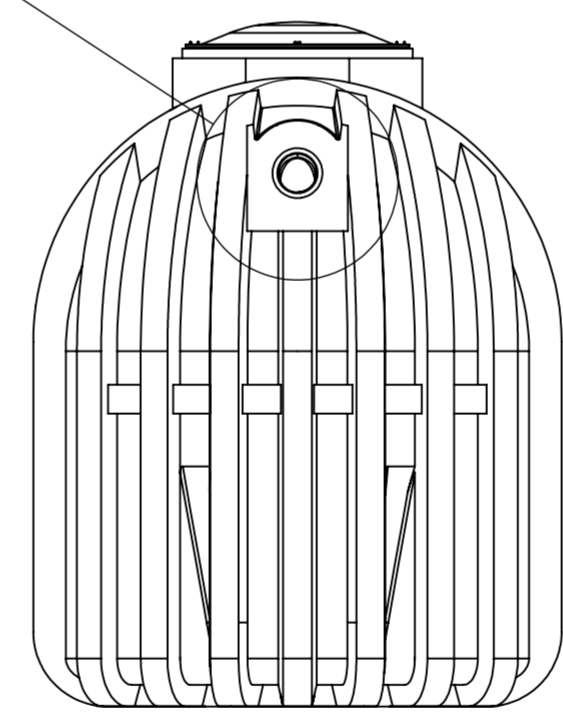
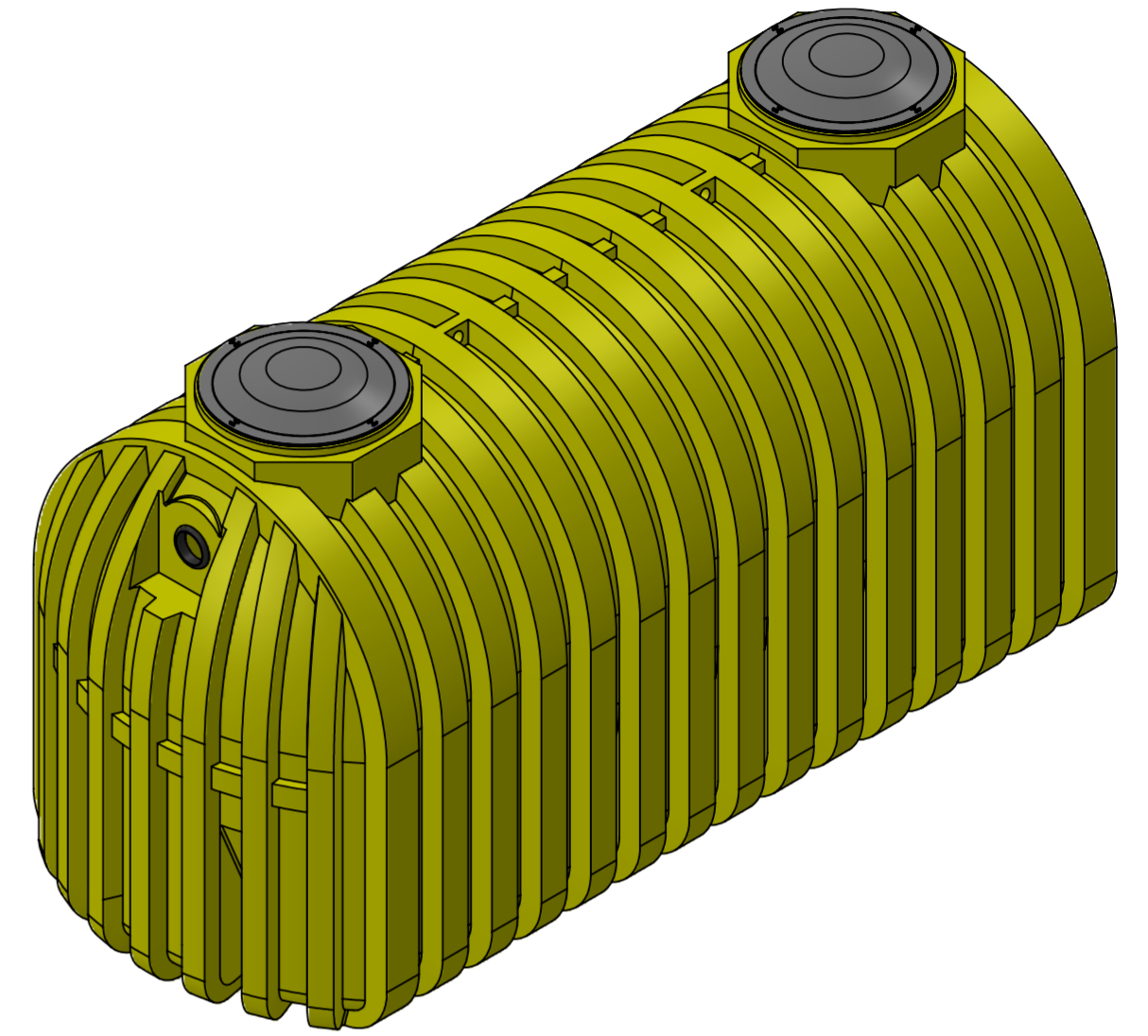
DETAIL C
SCALE 1:10



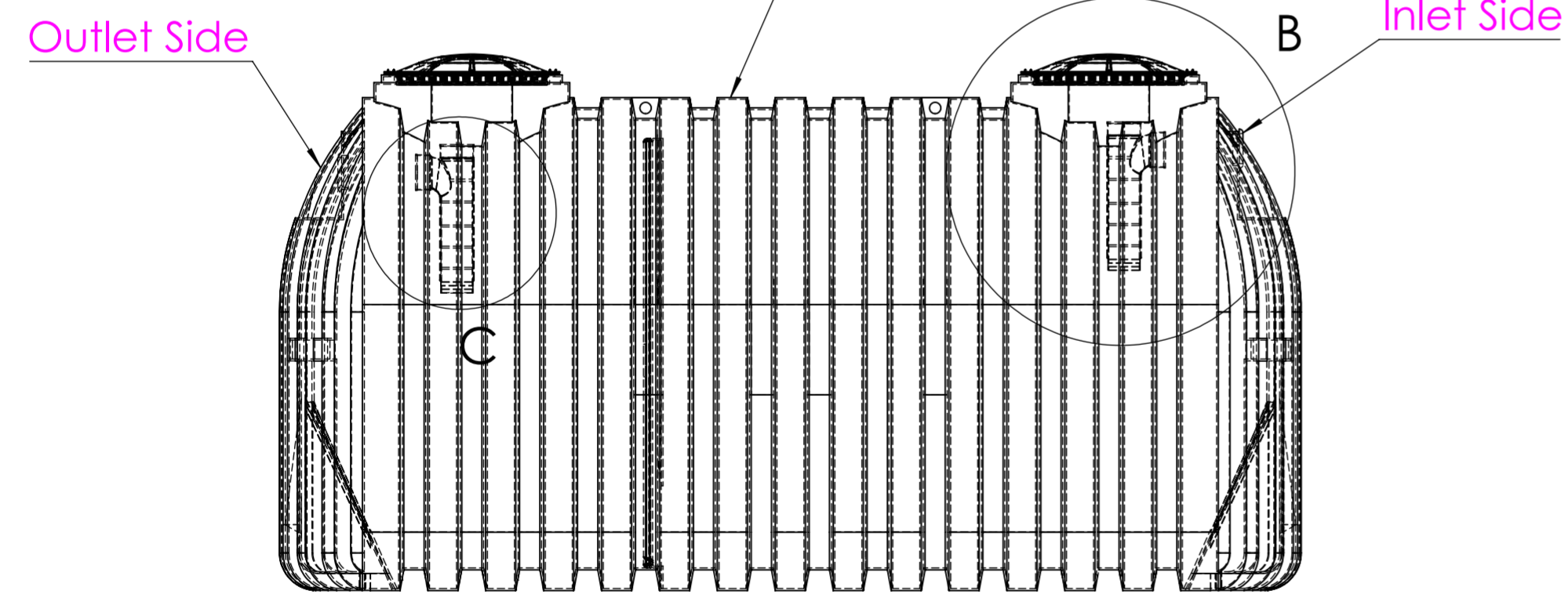
DETAIL F
SCALE 1:8



TOP VIEW



FRONT VIEW



SIDE VIEW

Operating Volume (Gls)
Primary Compartment: 1006
Secondary Compartment: 494

Complies with FDA standards 21 CFR 177.1520 (1) 3.1 and 3.2
3 year limited warranty

Municipal and County codes may vary from your state approval.
Please make sure you consult with your local sanitation department
or plumber on requirements.

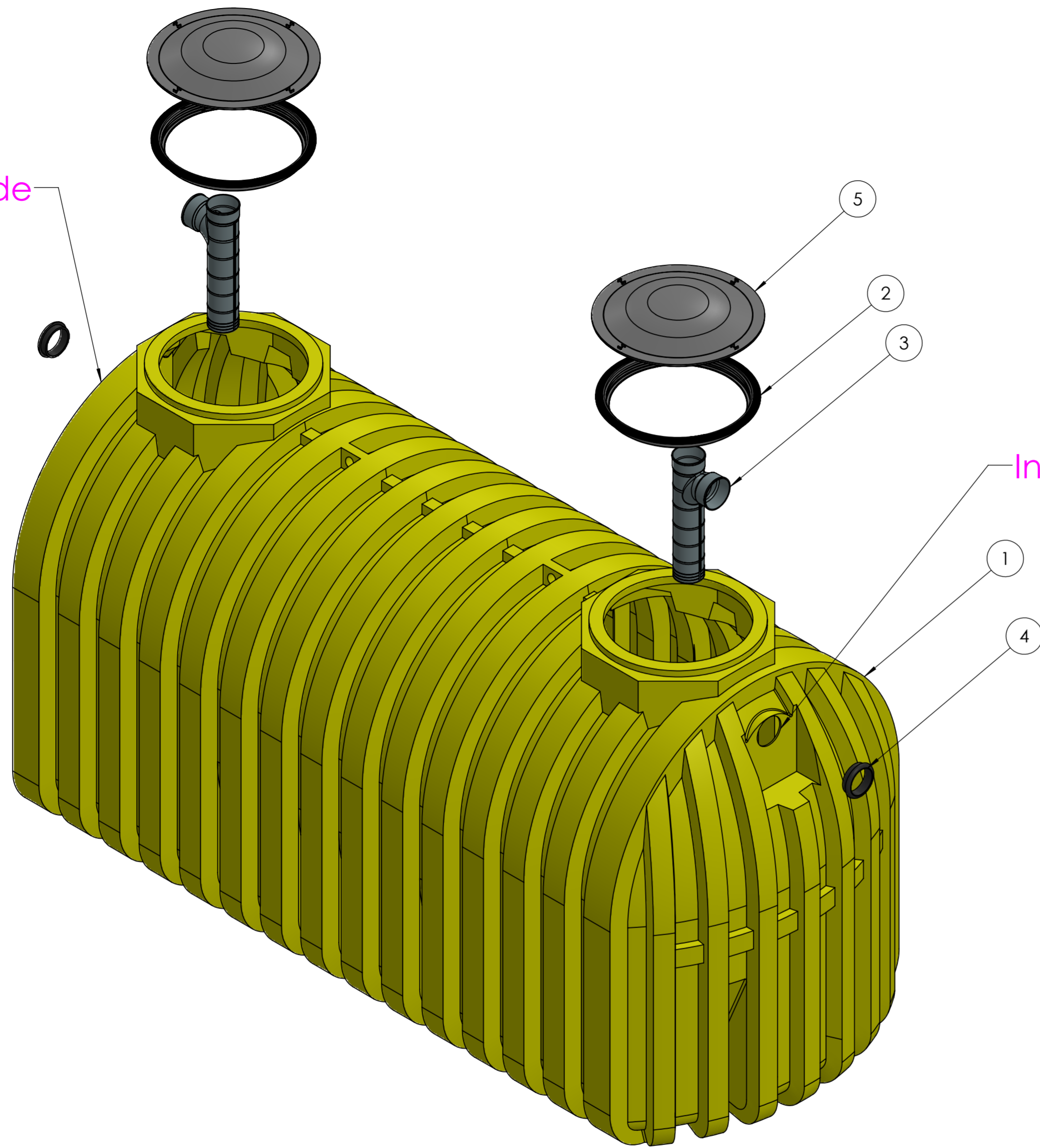
UV resistant BPA Free HDPE
Empty weight: 458
Shipping Class: 300
Includes 2 4" tees and gaskets



ITEM #	MFGR PART #	DESCRIPTION	QTY
1	87-41760	1500g 2C HDPE Septic Tank	1
2	WTL-001-FM	Tank Adapter Ring	2
3	SPL-BR-004	4 Inch Inlet/Outlet Tee	2
4	85-SPL-ER-G	4 Inch Gasket	2
5	85-SPL-001-L	20" Black Domed Lid; SS Screws	2

UNLESS OTHERWISE SPECIFIED: DIMENSIONS ARE IN MILLIMETERS		FINISH:		DEBURR AND BREAK SHARP EDGES		DO NOT SCALE DRAWING		REVISION	
SURFACE FINISH:									
TOLERANCES:									
LINEAR:									
ANGULAR:									
DRAWN	NAME	SIGNATURE	DATE			TITLE:		87-41760 1500 GALLON TWO COMPARTMENT HDPE SEPTIC TANK	
CHKD						DWG NO.		A2	
APPVD						SCALE:1:20		SHEET 1 OF 7	
MFG									
Q.A.									
				WEIGHT:					

12 11 10 9 8 7 6 5 4 3 2 1



Outlet Side

Inlet Side

Exploded View

Operating Volume (Gls)
 Primary Compartment: 1006
 Secondary Compartment: 494

Complies with FDA standards 21 CFR 177.1520 (1) 3.1 and 3.2
 3 year limited warranty

Municipal and County codes may vary from your state approval.
 Please make sure you consult with your local sanitation department
 or plumber on requirements.

UV resistant BPA Free HDPE
 Empty weight: 458
 Shipping Class: 300
 Includes 2 4" tees and gaskets



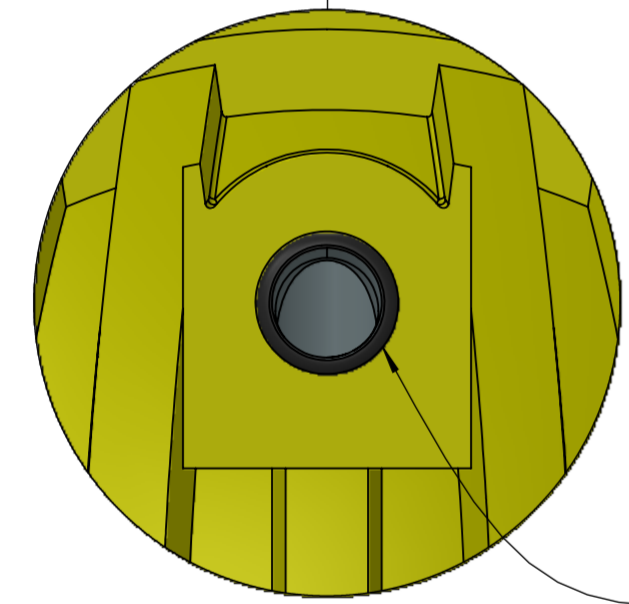
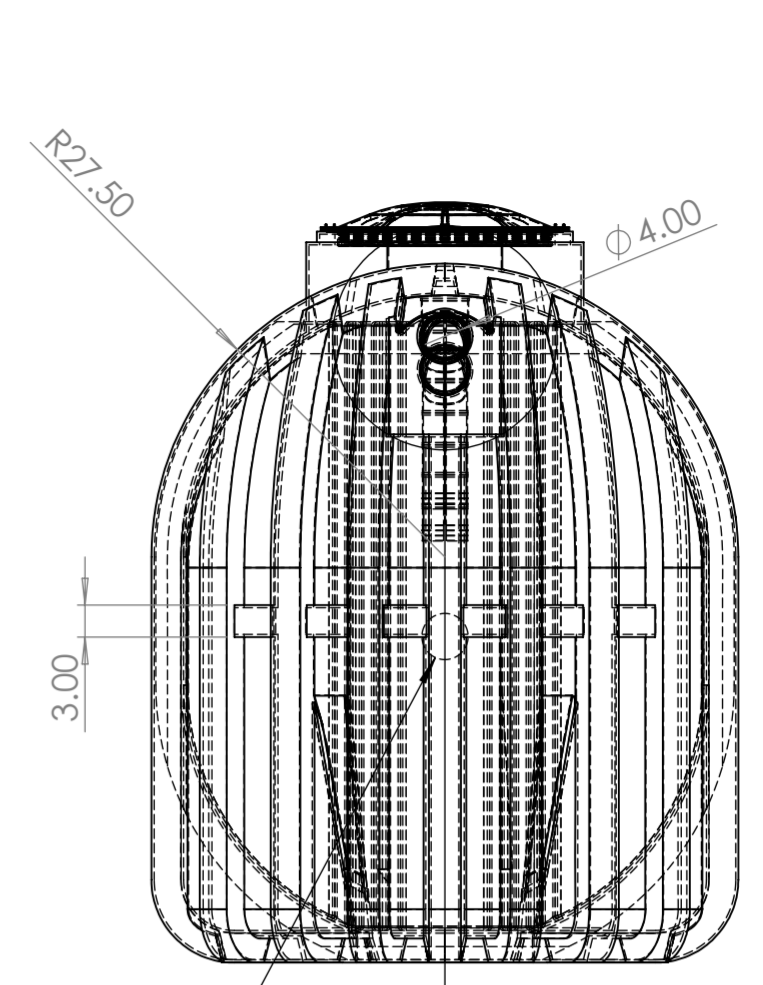
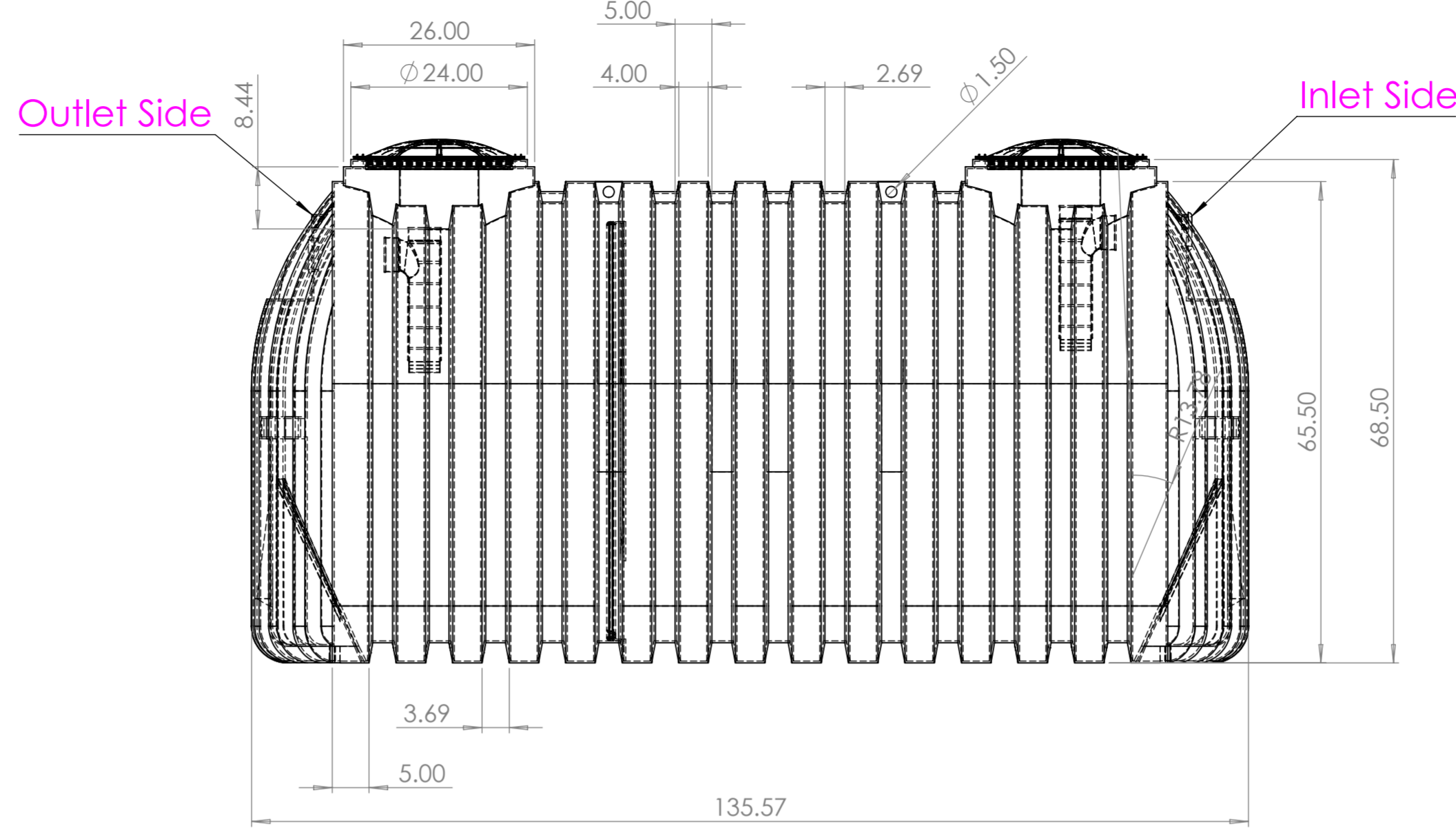
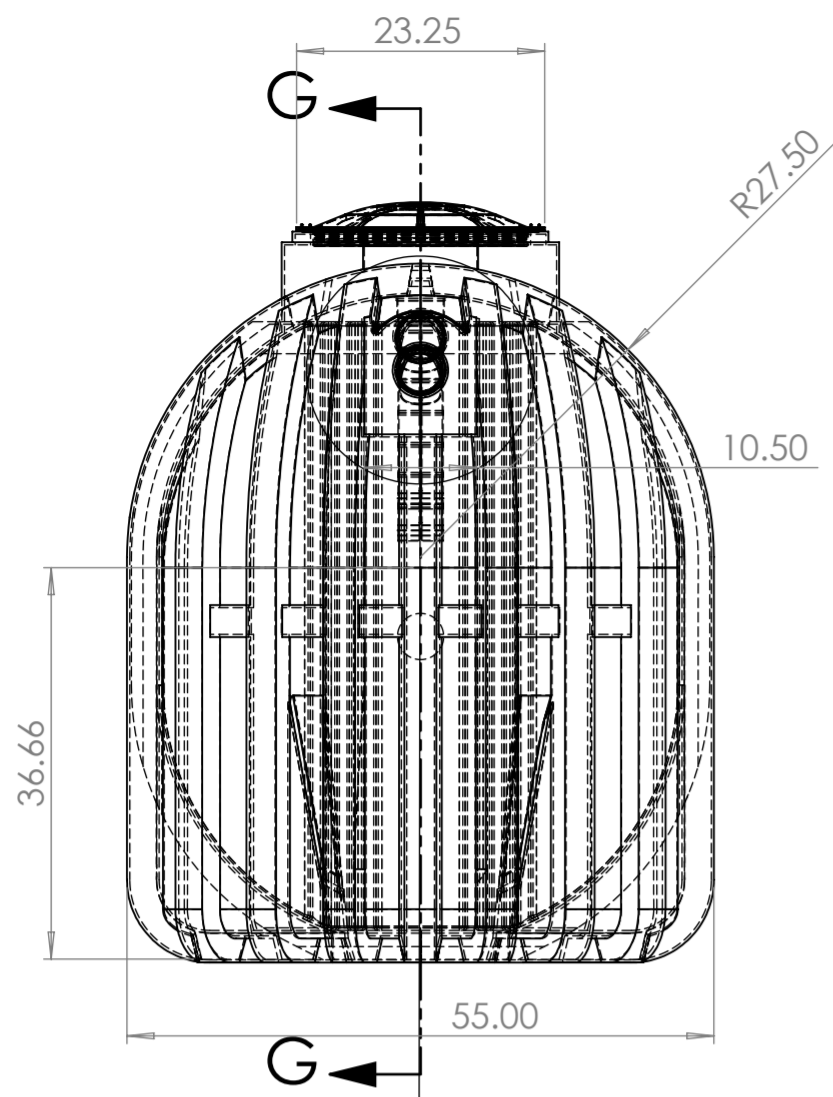
ITEM #	MFGR PART #	DESCRIPTION	QTY
1	87-41760	1500g 2C HDPE Septic Tank	1
2	WTL-001-FM	Tank Adapter Ring	2
3	SPL-BR-004	4 Inch Inlet/Outlet Tee	2
4	85-SPL-ER-G	4 Inch Gasket	2
5	85-SPL-001-L	20" Black Domed Lid; SS Screws	2

UNLESS OTHERWISE SPECIFIED: DIMENSIONS ARE IN MILLIMETERS		FINISH:		DEBURR AND BREAK SHARP EDGES		DO NOT SCALE DRAWING		REVISION	
SURFACE FINISH:									
TOLERANCES:									
LINEAR:									
ANGULAR:									
DRAWN		NAME	SIGNATURE	DATE			TITLE:		
CHKD							87-41760 1500 GALLON TWO COMPARTMENT HDPE SEPTIC TANK		
APPVD							DWG NO.		A2
MFG									
Q.A.									
		MATERIAL:							
		WEIGHT:							
								SCALE:1:20	
								SHEET 2 OF 7	



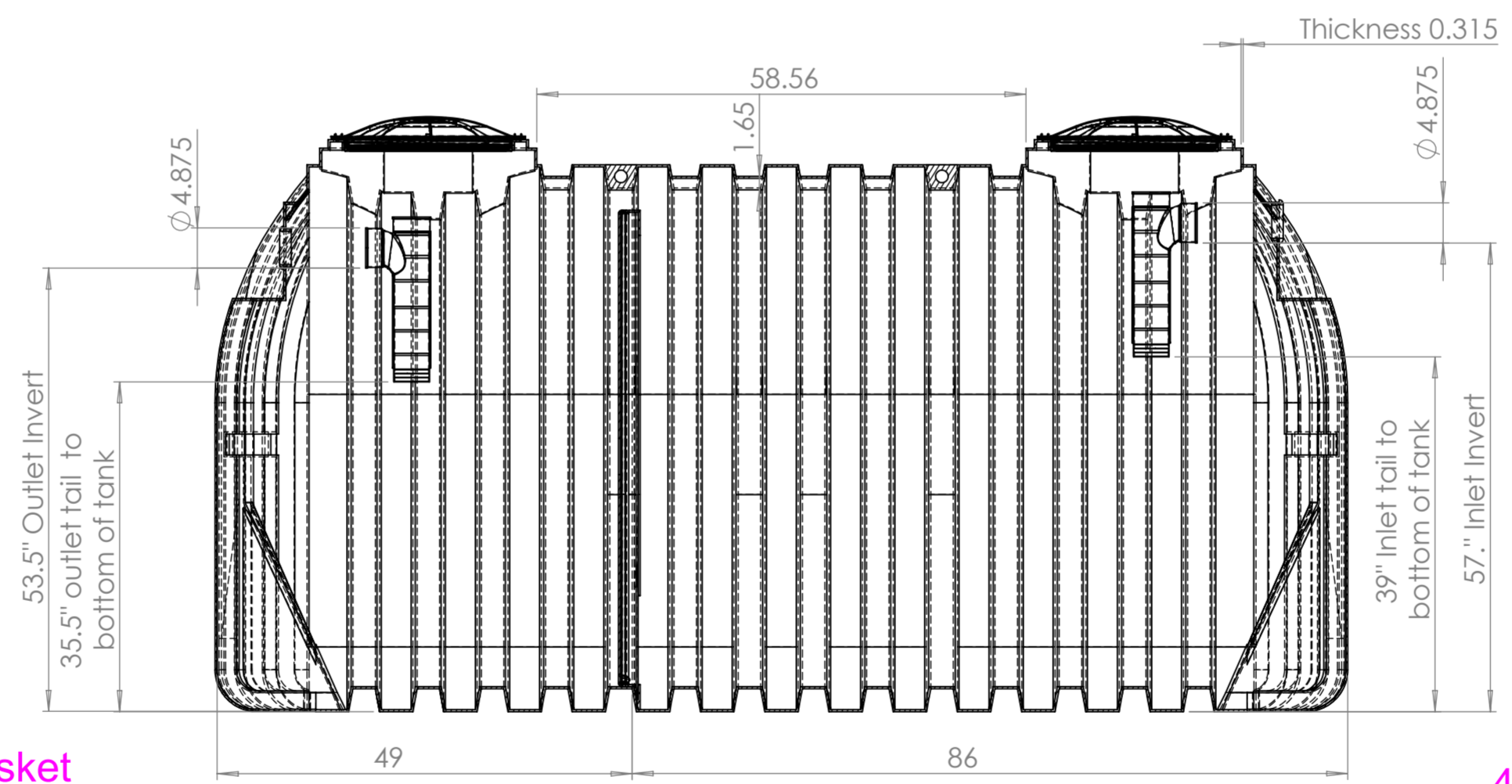
12 11 10 9 8 7 6 5 4 3 2 1

H
G
F
E
D
C
B
A

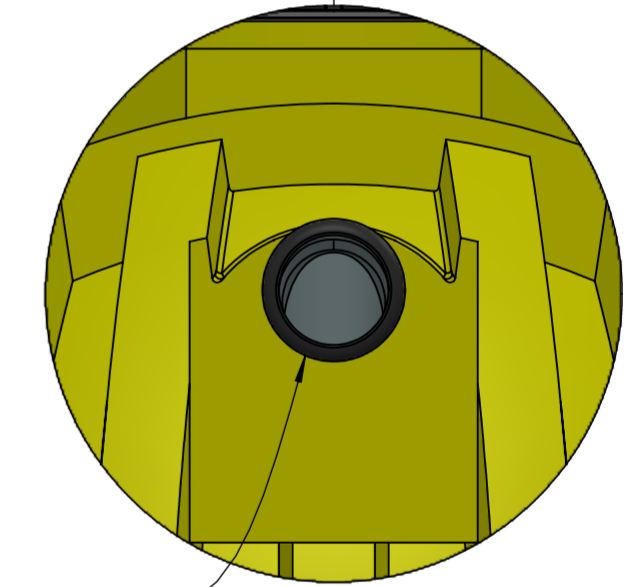


DETAIL K
SCALE 1 : 7

4 " Gasket (Outlet Side)



SECTION G-G
SCALE 1 : 18



4 " Gasket (Inlet Side)

DETAIL J
SCALE 1 : 7

Operating Volume (Gls)
Primary Compartment: 1006
Secondary Compartment: 494

Complies with FDA standards 21 CFR 177.1520 (1) 3.1 and 3.2
3 year limited warranty

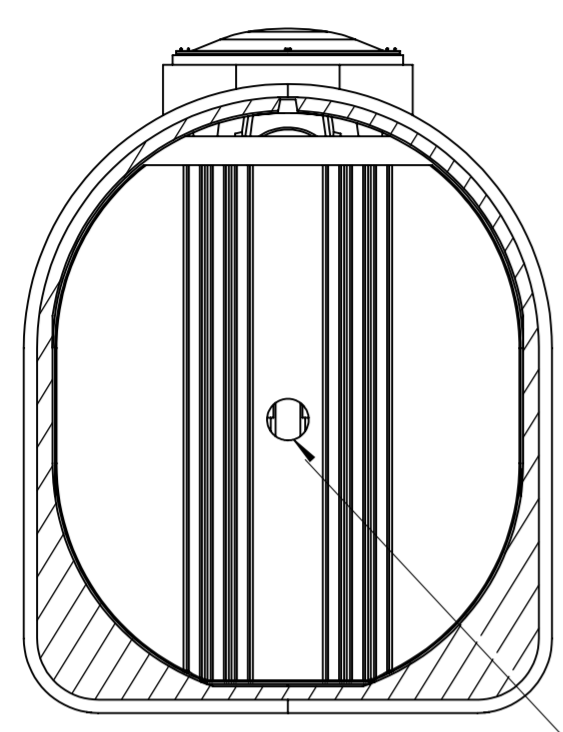
Municipal and County codes may vary from your state approval.
Please make sure you consult with your local sanitation department or plumber on requirements.

UV resistant BPA Free HDPE
Empty weight: 458
Shipping Class: 300
Includes 2 4" tees and gaskets

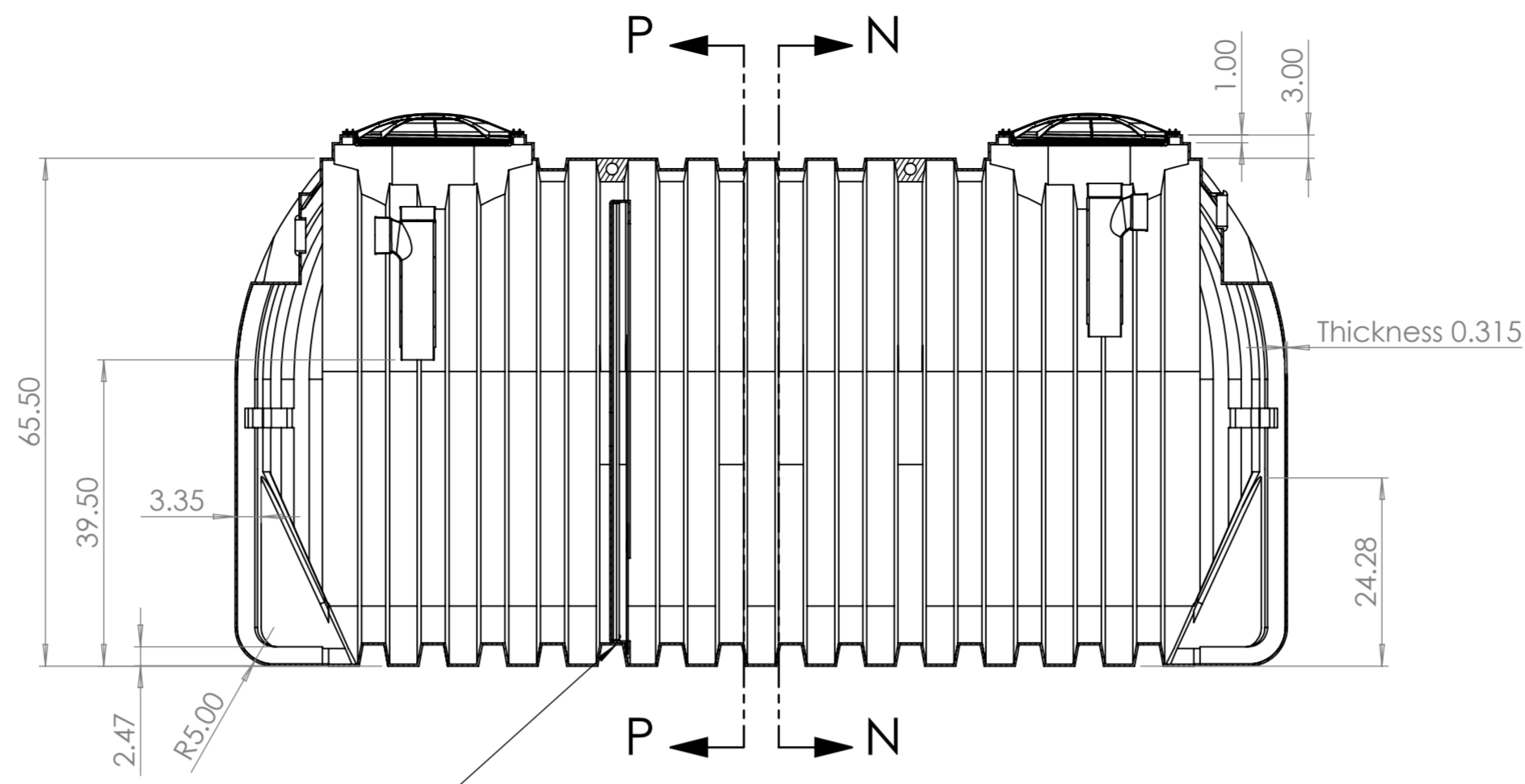


UNLESS OTHERWISE SPECIFIED: DIMENSIONS ARE IN MILLIMETERS			FINISH:			DEBURR AND BREAK SHARP EDGES			DO NOT SCALE DRAWING		REVISION		
SURFACE FINISH:													
TOLERANCES:													
LINEAR:													
ANGULAR:													
DRAWN		NAME		SIGNATURE		DATE						TITLE:	
CHKD												87-41760 1500 GALLON TWO COMPARTMENT HDPE SEPTIC TANK	
APPVD												DWG NO.	
MFG												A2	
Q.A.												SCALE:1:20	
												SHEET 3 OF 7	

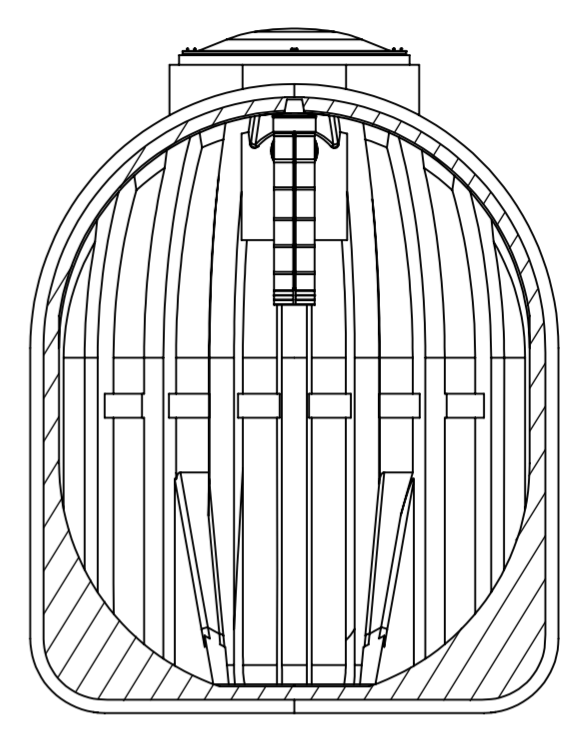
12 11 10 9 8 7 6 5 4 3 2 1



SECTION P-P
Outlet side



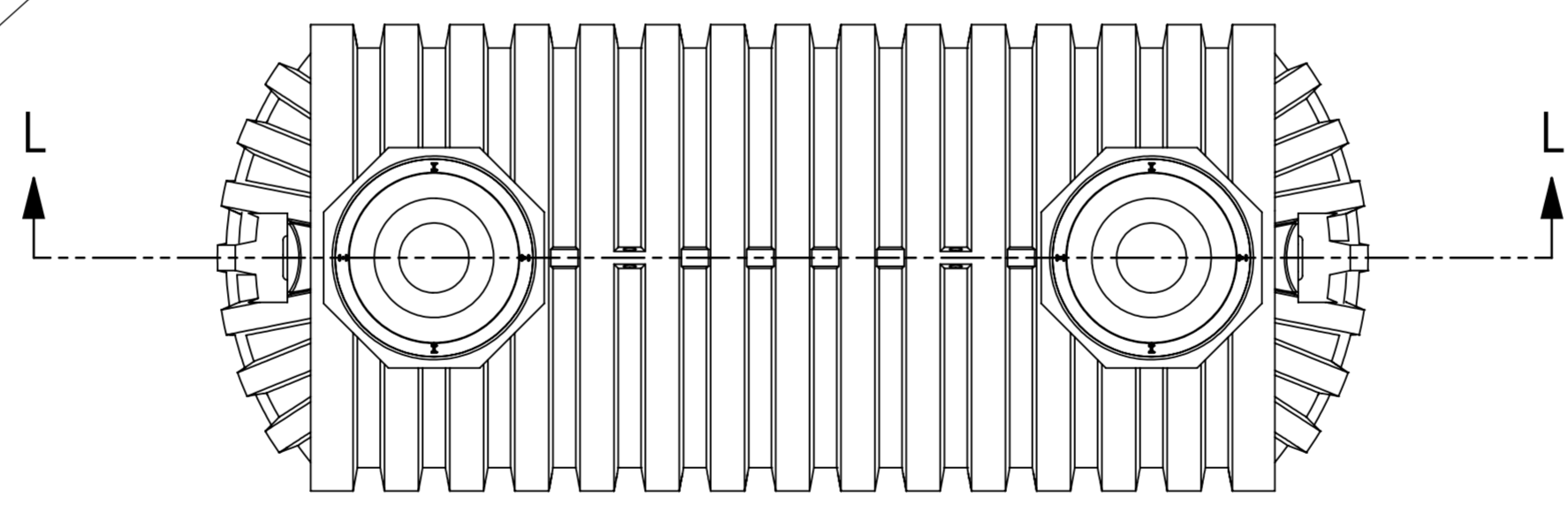
SECTION L-L



SECTION N-N
Inlet side

Baffle hole = 4.75" Diameter. Top of hole is 23.0" from flat top margin.

Baffle placement:
86" from side wall to baffle on 2/3 (inlet) side;
49" from side wall to baffle on 1/3 (outlet) side.
59.8" tall x 54.3" wide x 2.6" deep. HDPE welded sitting atop of rib.



Operating Volume (Glns)
Primary Compartment: 1006
Secondary Compartment: 494

Complies with FDA standards 21 CFR 177.1520 (1) 3.1 and 3.2
3 year limited warranty

Municipal and County codes may vary from your state approval.
Please make sure you consult with your local sanitation department or plumber on requirements.

UV resistant BPA Free HDPE
Empty weight: 458
Shipping Class: 300
Includes 2 4" tees and gaskets



UNLESS OTHERWISE SPECIFIED: DIMENSIONS ARE IN MILLIMETERS			FINISH:			DEBURR AND BREAK SHARP EDGES			DO NOT SCALE DRAWING		REVISION		
SURFACE FINISH:			LINEAR:			ANGULAR:			TITLE: 87-41760 1500 GALLON TWO COMPARTMENT HDPE SEPTIC TANK				
DRAWN			NAME			SIGNATURE			DATE			DWG NO.	
CHKD			MFG			Q.A.			MATERIAL:			A2	
APPVD			WEIGHT:			SCALE:1:20			SHEET 4 OF 7				