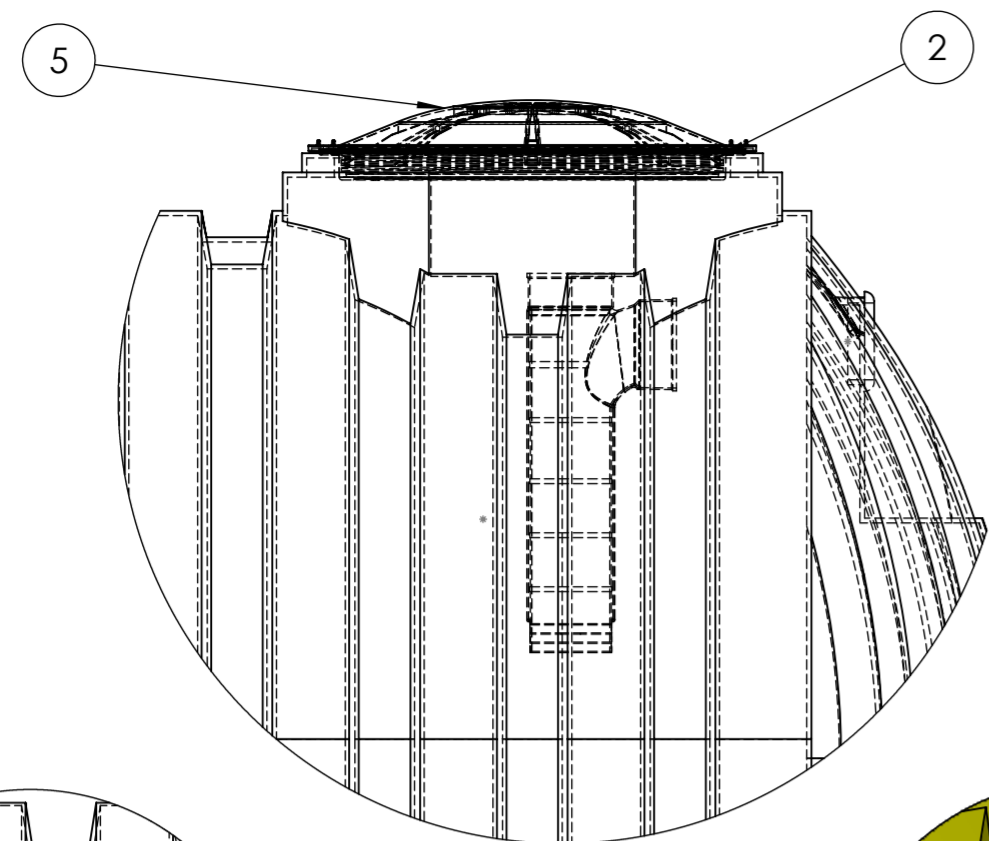


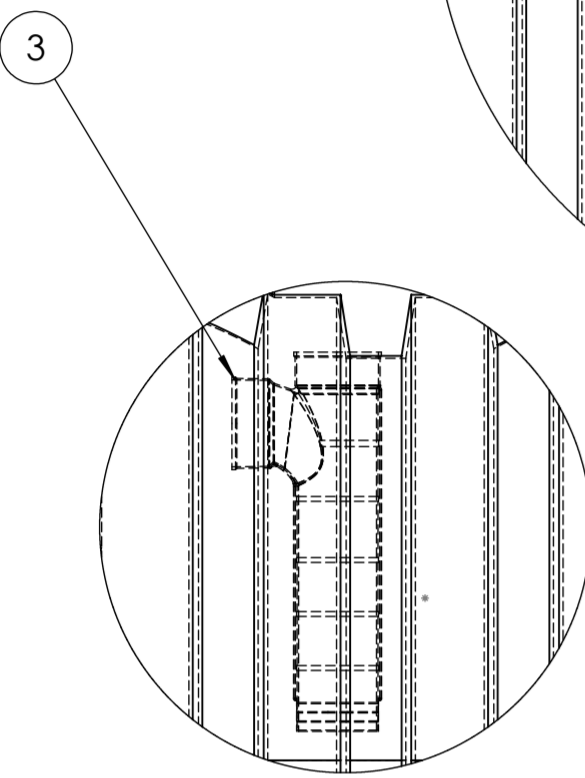
12 11 10 9 8 7 6 5 4 3 2 1

H
G
F
E
D
C
B
A

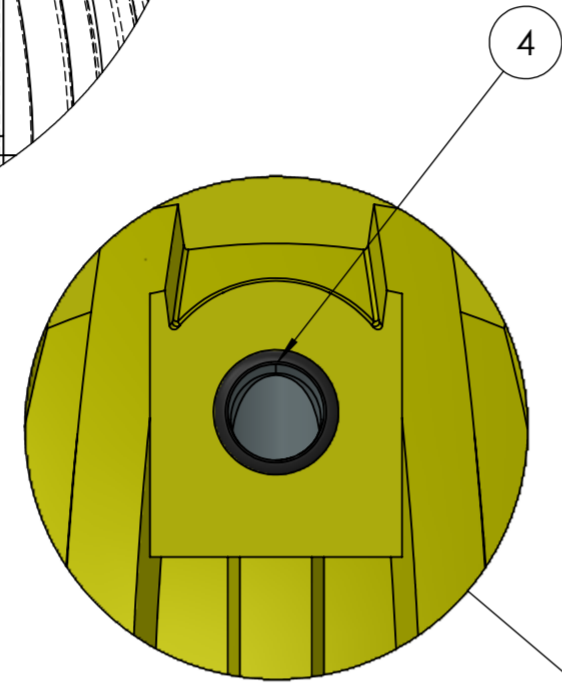
H
G
F
E
D
C
B
A



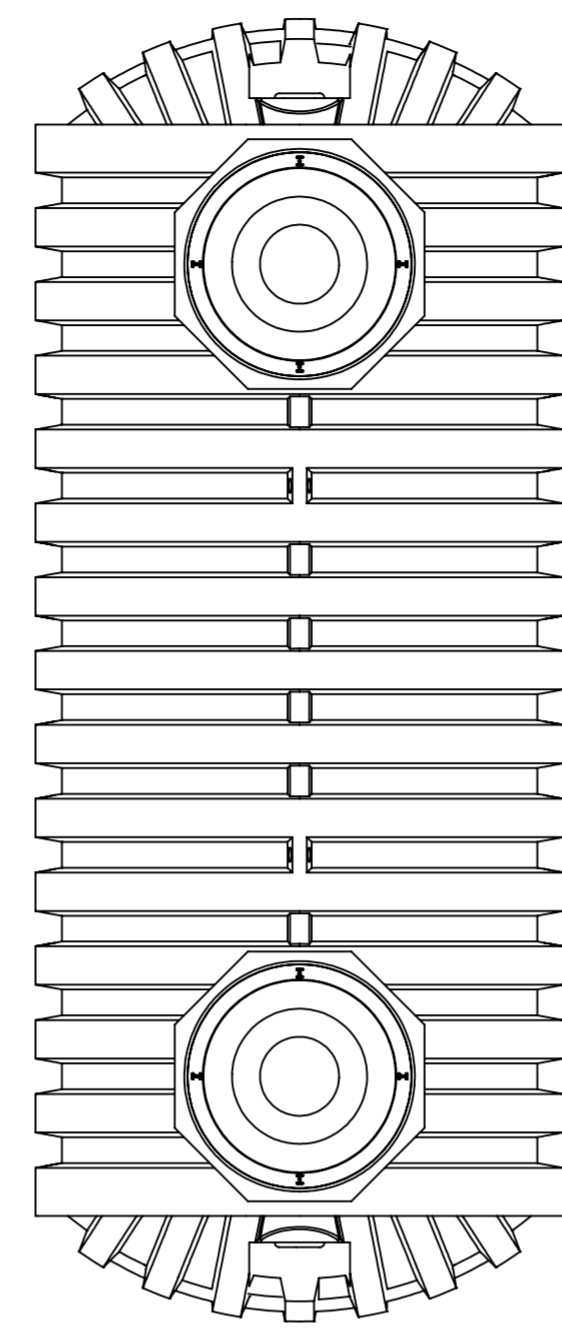
DETAIL B
SCALE 1:10



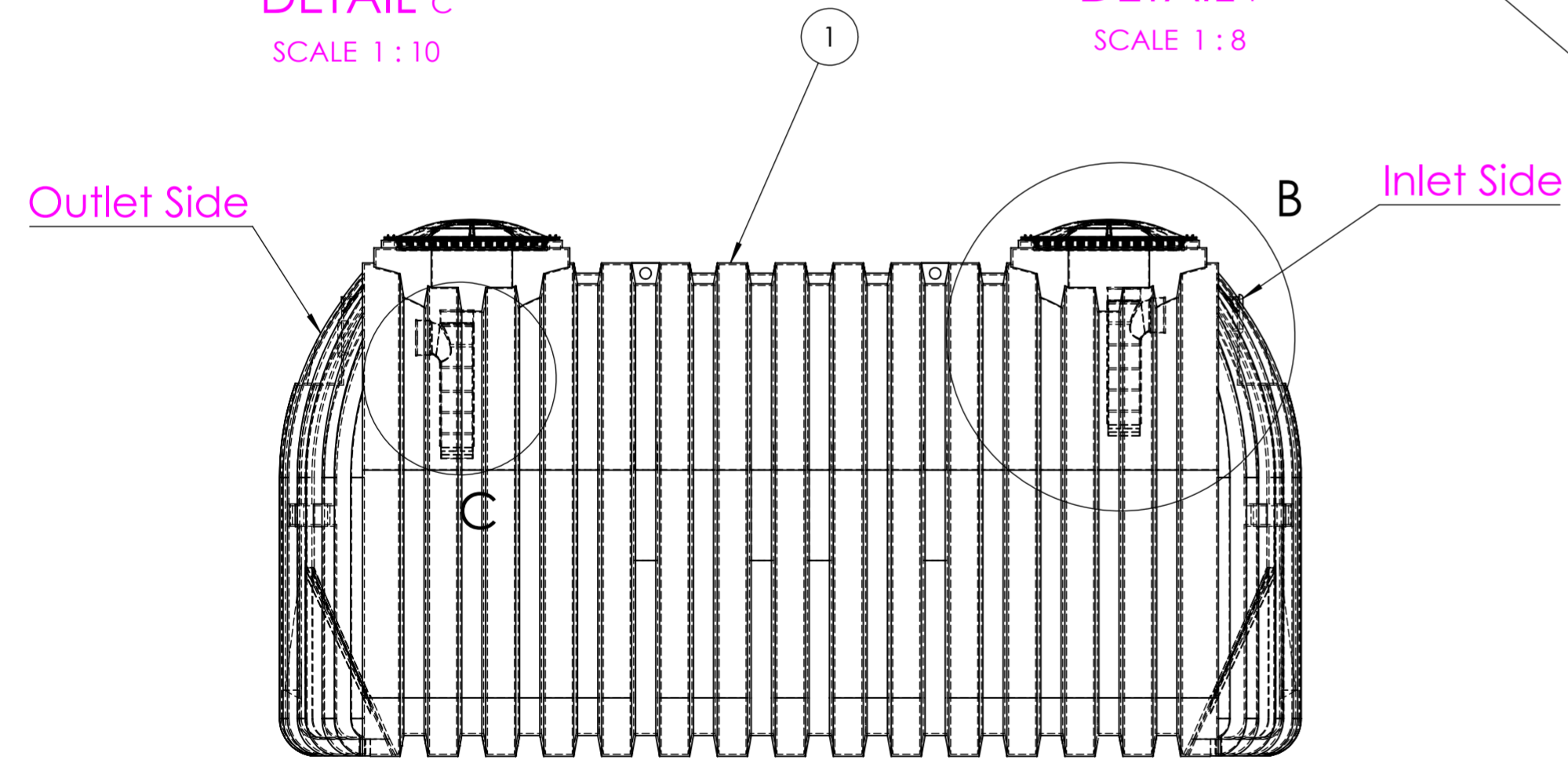
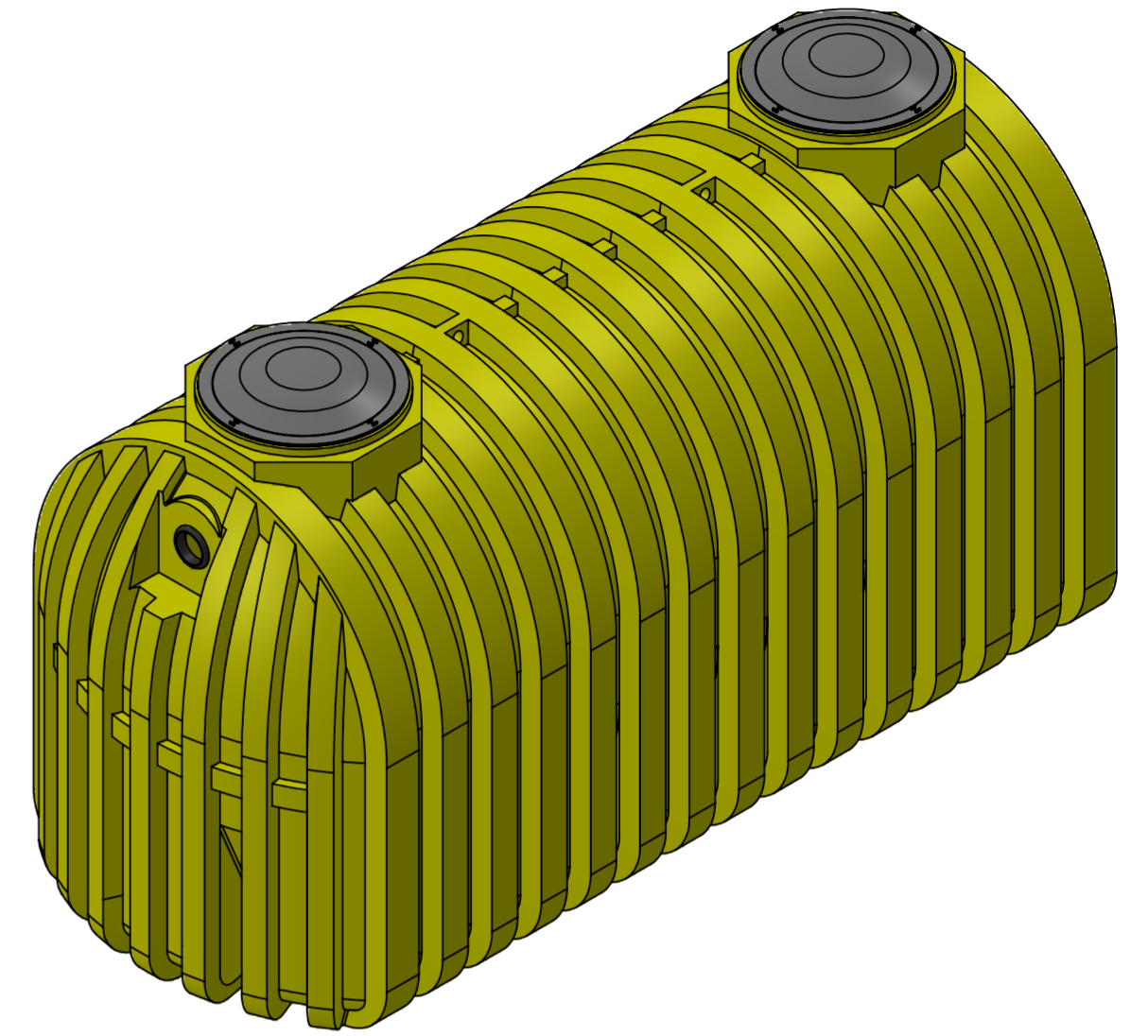
DETAIL C
SCALE 1:10



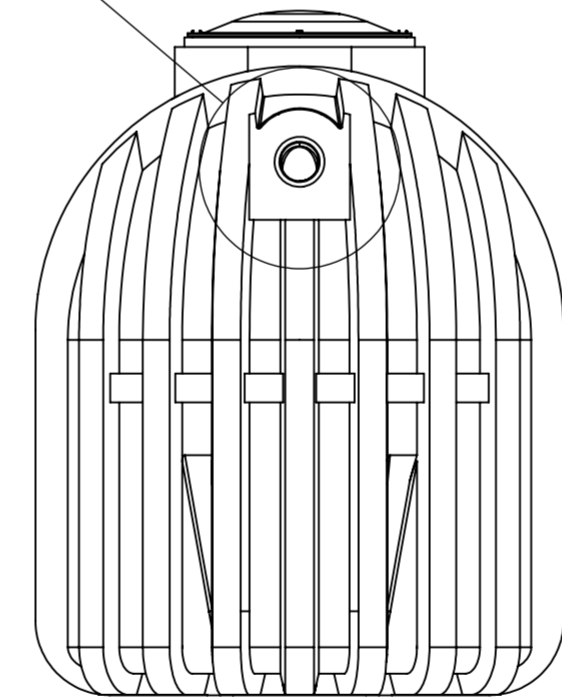
DETAIL F
SCALE 1:8



TOP VIEW



SIDE VIEW



FRONT VIEW

ITEM #	MFGR PART #	DESCRIPTION	QTY
1	87-41758	1500g IC HDPE Septic Tank	1
2	WTL-001-FM	Tank Adapter Ring	2
3	SPL-BR-004	4 Inch Inlet/Outlet Tee	2
4	85-SPL-ER-G	4 Inch Gasket	2
5	85-SPL-001-I	20" Black Domed Lid; SS Screws	2

Complies with FDA standards 21 CFR 177.1520 (1) 3.1 and 3.2
3 year limited warranty

Municipal and County codes may vary from your state approval.
Please make sure you consult with your local sanitation
department or plumber on requirements.

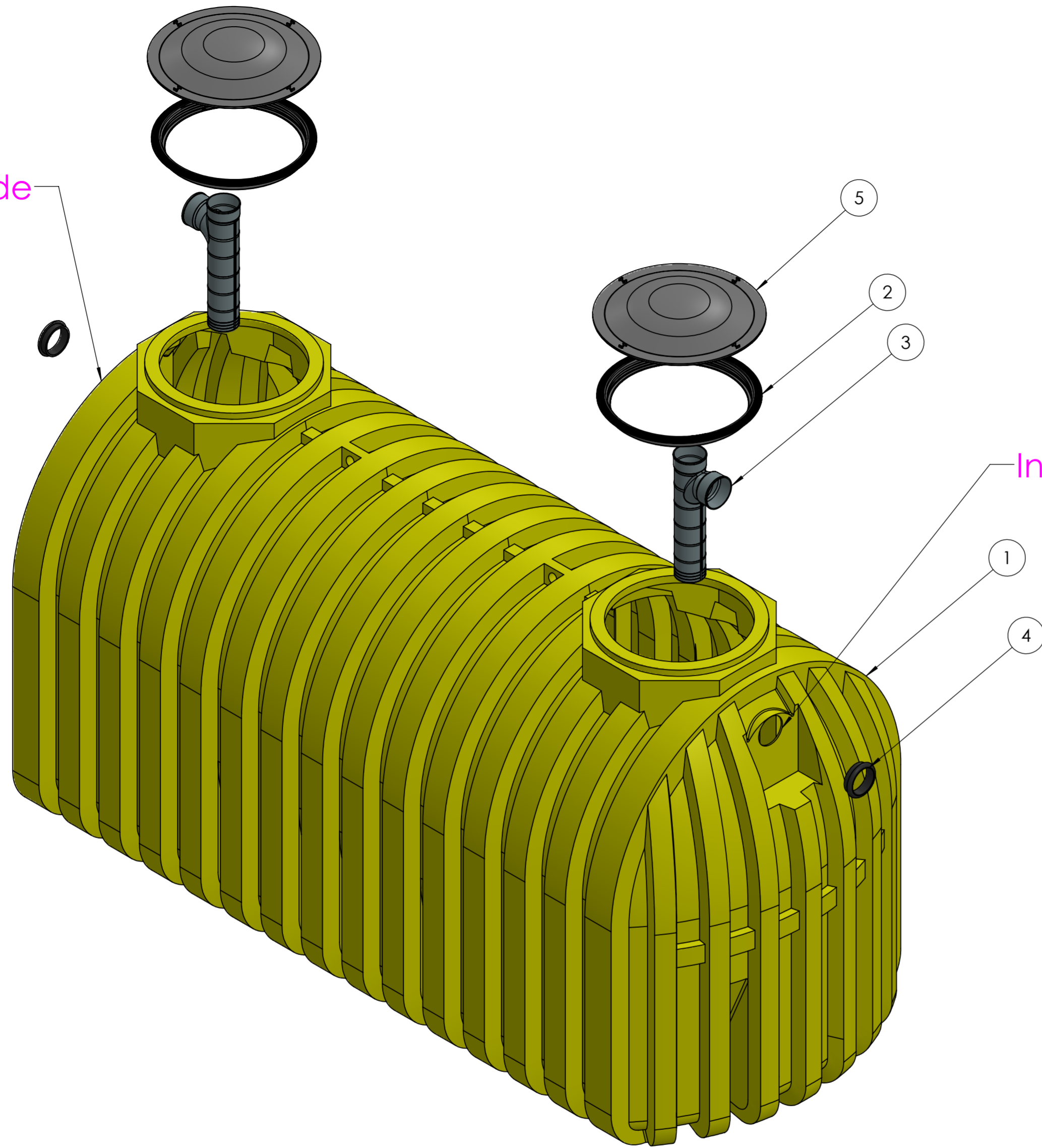
UV resistant BPA Free HDPE
Empty weight: 439
Shipping Class: 300
Includes 2 4" tees and gaskets



UNLESS OTHERWISE SPECIFIED: DIMENSIONS ARE IN MILLIMETERS		FINISH:		DEBURR AND BREAK SHARP EDGES		DO NOT SCALE DRAWING		REVISION	
SURFACE FINISH:									
TOLERANCES:									
LINEAR:									
ANGULAR:									
DRAWN	NAME	SIGNATURE	DATE			TITLE:		87-41758 1500 GALLON ONE COMPARTMENT HDPE SEPTIC TANK	
CHKD						DWG NO.		A2	
APPVD						SCALE:1:20		SHEET 1 OF 7	
MFG									
Q.A.									
				WEIGHT:					

12 11 10 9 8 7 6 5 4 3 2 1

Outlet Side



Inlet Side

Exploded View

ITEM #	MFGR PART #	DESCRIPTION	QTY
1	87-41758	1500g IC HDPE Septic Tank	1
2	WTL-001-FM	Tank Adapter Ring	2
3	SPL-BR-004	4 Inch Inlet/Outlet Tee	2
4	85-SPL-ER-G	4 Inch Gasket	2
5	85-SPL-001-I	20" Black Domed Lid; SS Screws	2

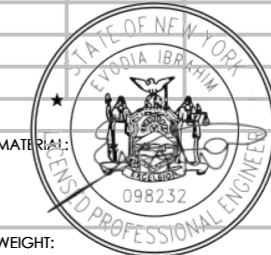
Complies with FDA standards 21 CFR 177.1520 (1) 3.1 and 3.2
3 year limited warranty

Municipal and County codes may vary from your state approval.
Please make sure you consult with your local sanitation
department or plumber on requirements.

UV resistant BPA Free HDPE
Empty weight: 439
Shipping Class: 300
Includes 2 4" tees and gaskets



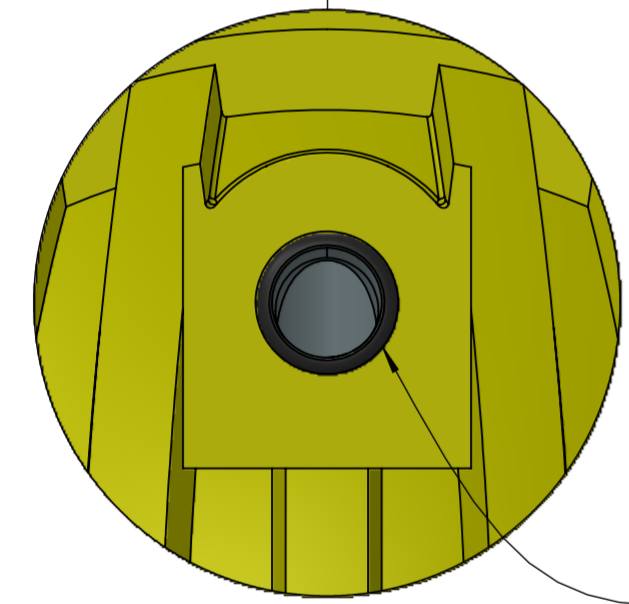
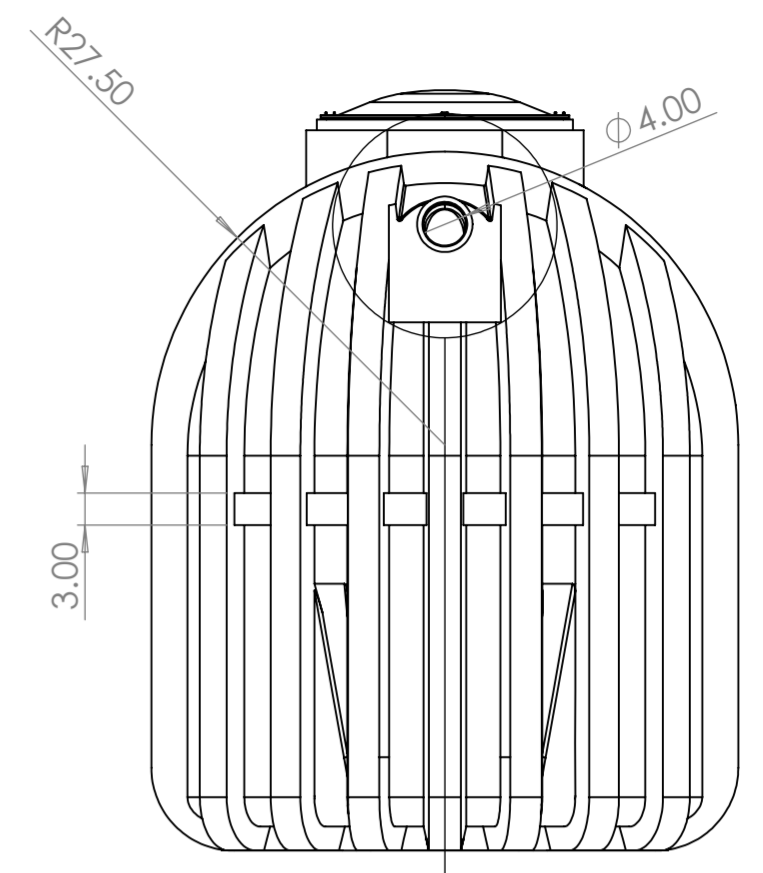
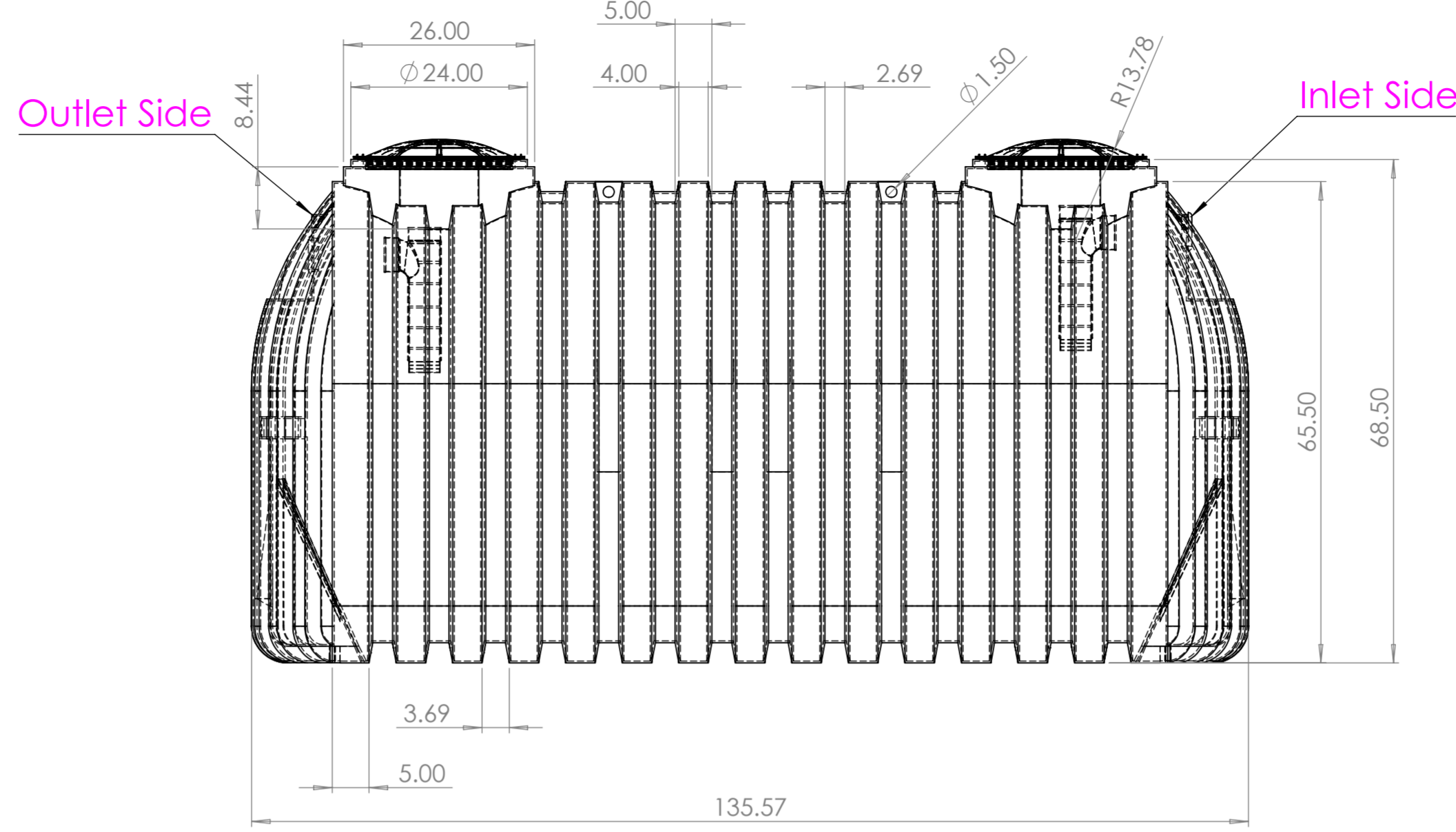
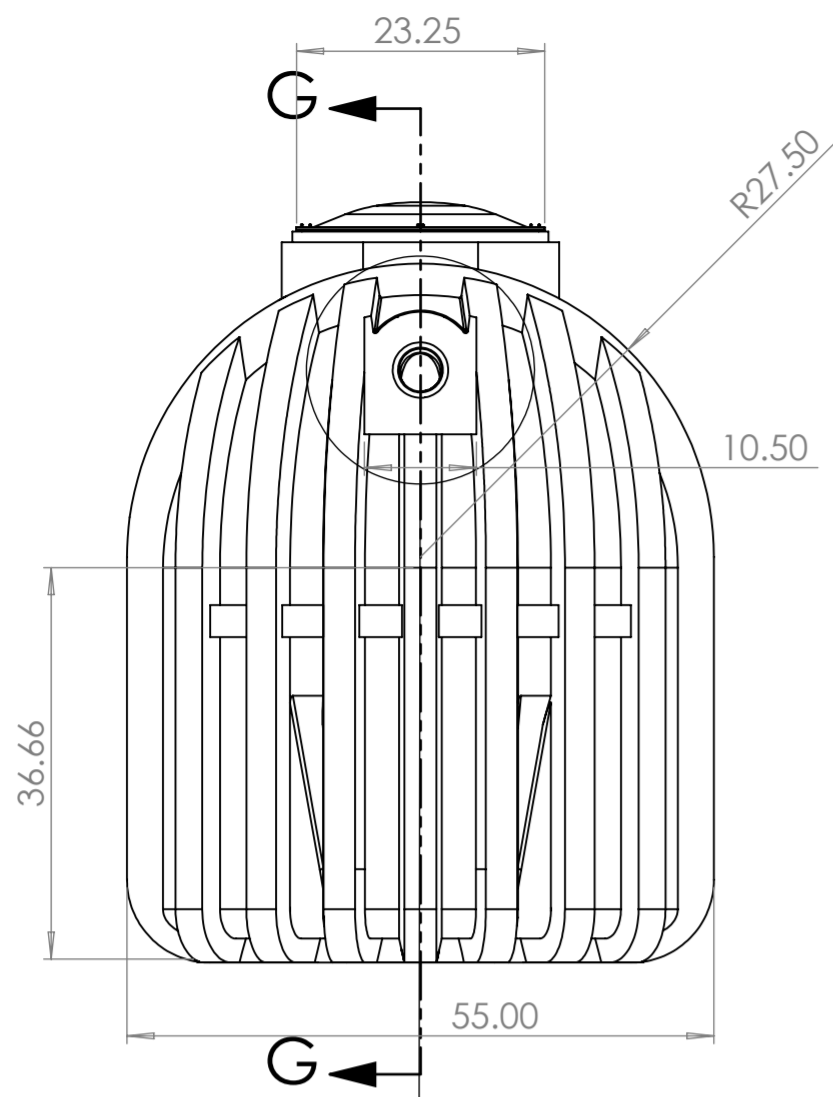
UNLESS OTHERWISE SPECIFIED: DIMENSIONS ARE IN MILLIMETERS		FINISH:		DEBURR AND BREAK SHARP EDGES		DO NOT SCALE DRAWING		REVISION	
TOLERANCES: LINEAR: ANGULAR:									
DRAWN	NAME	SIGNATURE	DATE			TITLE:		87-41758 1500 GALLON ONE COMPARTMENT HDPE SEPTIC TANK	
CHKD						DWG NO.		A2	
APPVD						SCALE:1:13		SHEET 2 OF 7	
MFG						WEIGHT:			
Q.A.									



12 11 10 9 8 7 6 5 4 3 2 1

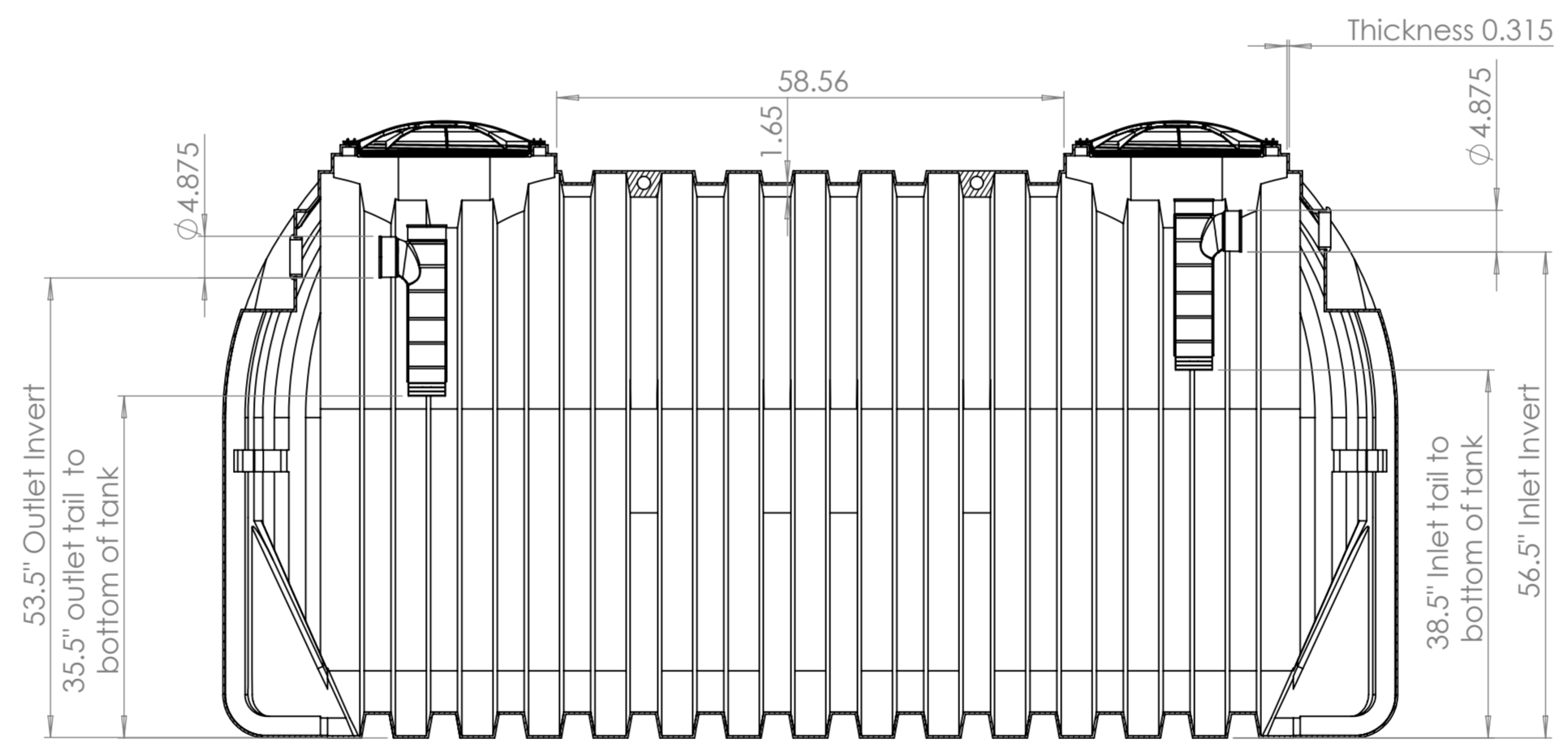
H
G
F
E
D
C
B
A

H
G
F
E
D
C
B
A

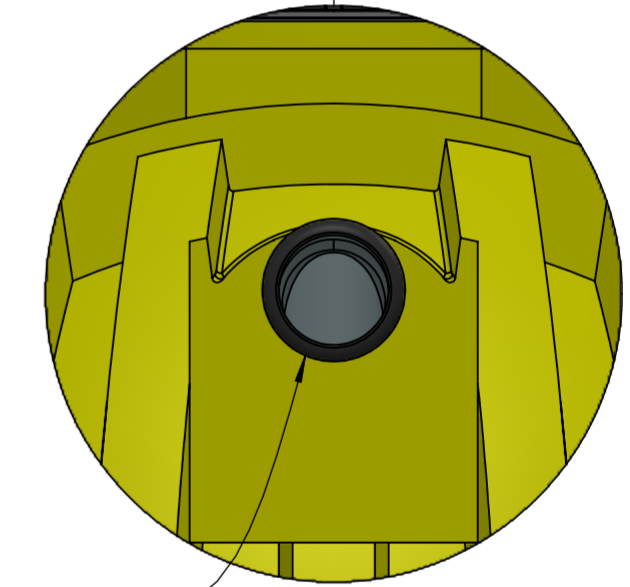


DETAIL K
SCALE 1:7

4" Gasket (Outlet Side)



SECTION G-G
SCALE 1:18



4" Gasket (Inlet Side)

DETAIL J
SCALE 1:7

Complies with FDA standards 21 CFR 177.1520 (1) 3.1 and 3.2
3 year limited warranty

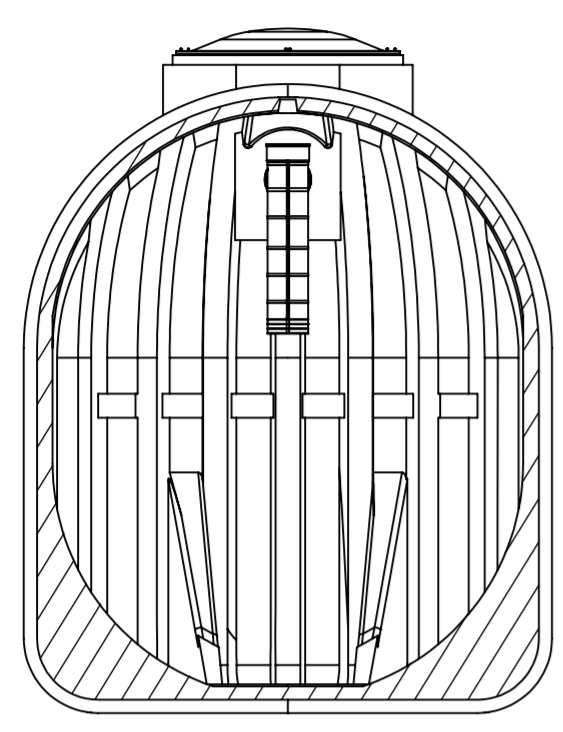
Municipal and County codes may vary from your state approval.
Please make sure you consult with your local sanitation
department or plumber on requirements.

UV resistant BPA Free HDPE
Empty weight: 439
Shipping Class: 300
Includes 2 4" tees and gaskets

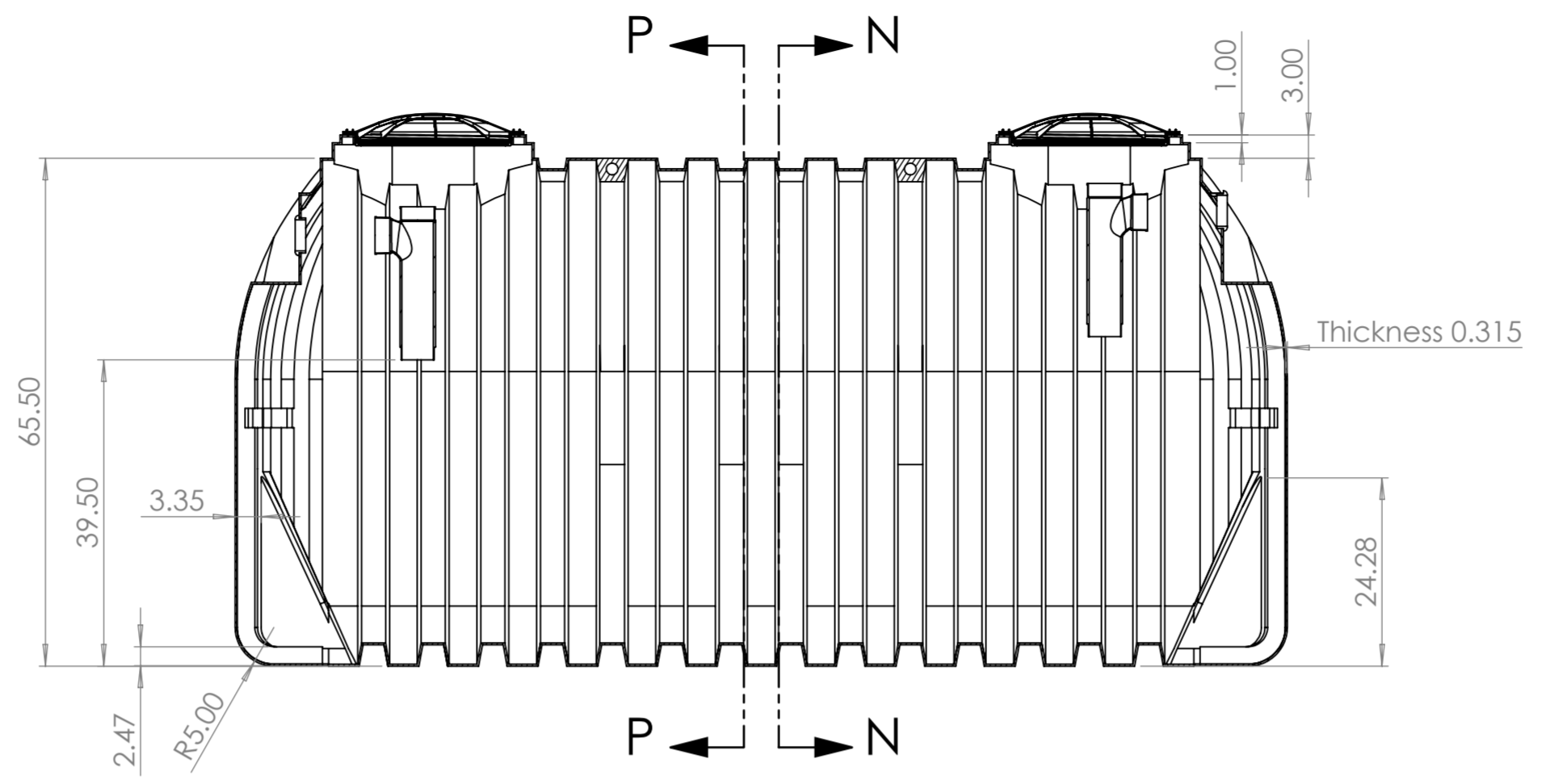


UNLESS OTHERWISE SPECIFIED: DIMENSIONS ARE IN MILLIMETERS SURFACE FINISH: TOLERANCES: LINEAR: ANGULAR:			FINISH:	DEBURR AND BREAK SHARP EDGES	DO NOT SCALE DRAWING	REVISION
DRAWN	NAME	SIGNATURE	DATE	TITLE: 87-41758 1500 GALLON ONE COMPARTMENT HDPE SEPTIC TANK		
CHK'D				MATERIAL:	DWG. NO.	A2
APP'VD				WEIGHT:	SCALE:1:20	SHEET 3 OF 7
MFG				STATE OF NEW YORK LIVELY & ASSOCIATES PROFESSIONAL ENGINEERS 098232		
Q.A.						

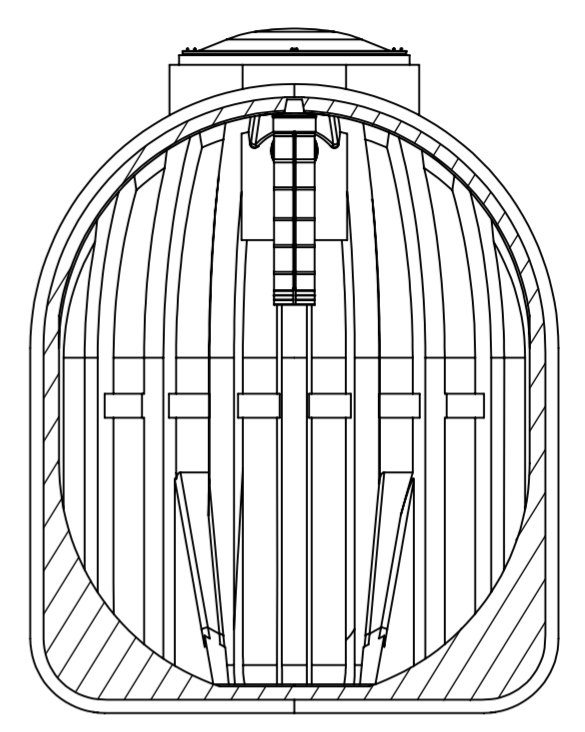
12 11 10 9 8 7 6 5 4 3 2 1



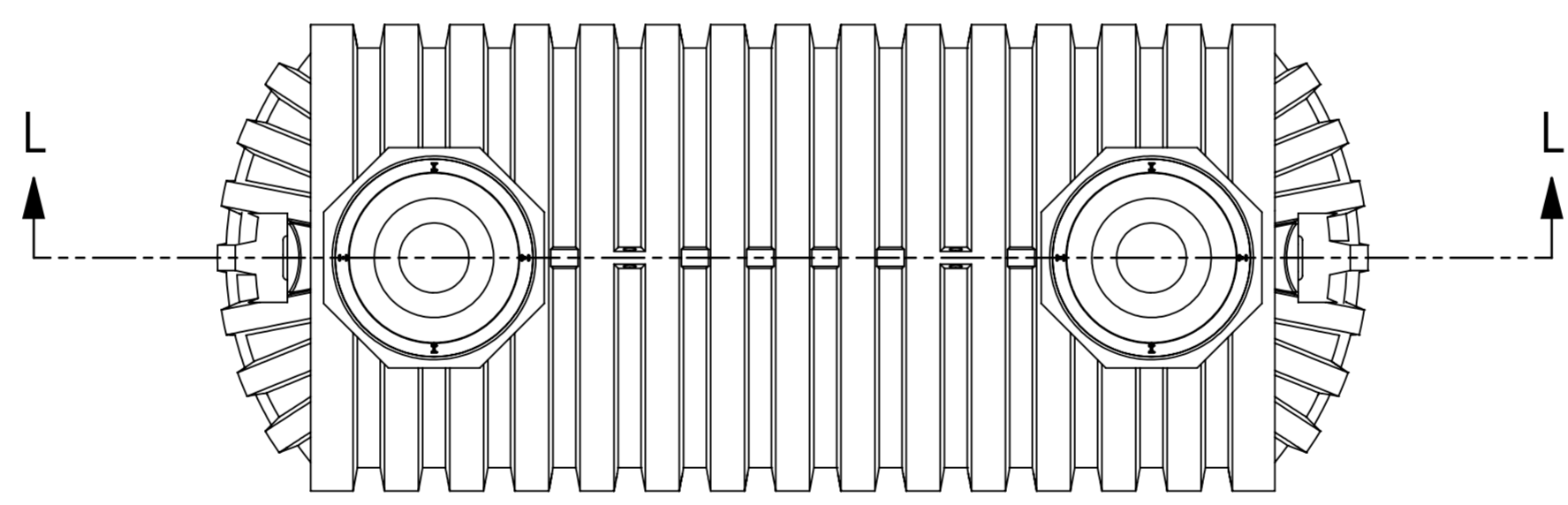
SECTION P-P
Outlet side



SECTION L-L



SECTION N-N
Inlet side



Complies with FDA standards 21 CFR 177.1520 (1) 3.1 and 3.2
3 year limited warranty

Municipal and County codes may vary from your state approval.
Please make sure you consult with your local sanitation
department or plumber on requirements.

UV resistant BPA Free HDPE
Empty weight: 439
Shipping Class: 300
Includes 2 4" tees and gaskets



UNLESS OTHERWISE SPECIFIED: DIMENSIONS ARE IN MILLIMETERS			FINISH:			DEBURR AND BREAK SHARP EDGES			DO NOT SCALE DRAWING			REVISION		
TOLERANCES: LINEAR: ANGULAR:														
DRAWN	NAME	SIGNATURE	DATE											
CHK'D														
APP'VD														
MFG														
Q.A.														
						MATERIAL:			TITLE: 87-41758 1500 GALLON ONE COMPARTMENT HDPE SEPTIC TANK			DWG NO. A2		
						WEIGHT:			SCALE:1:20			SHEET 4 OF 7		