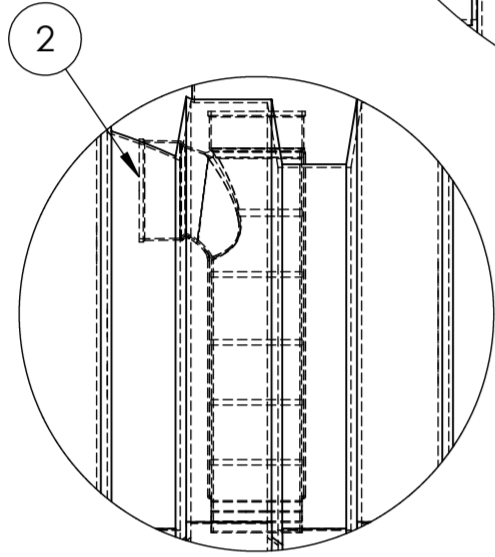
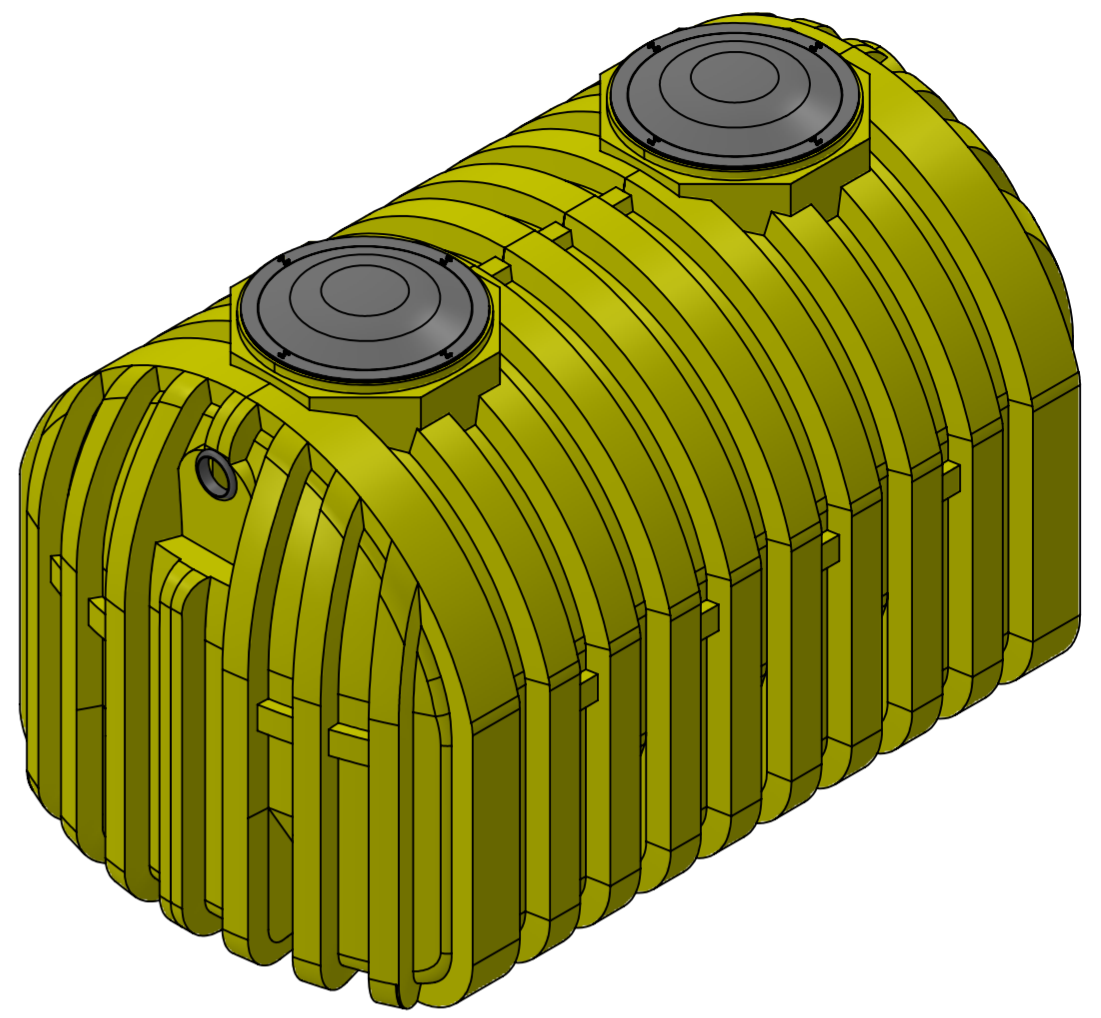
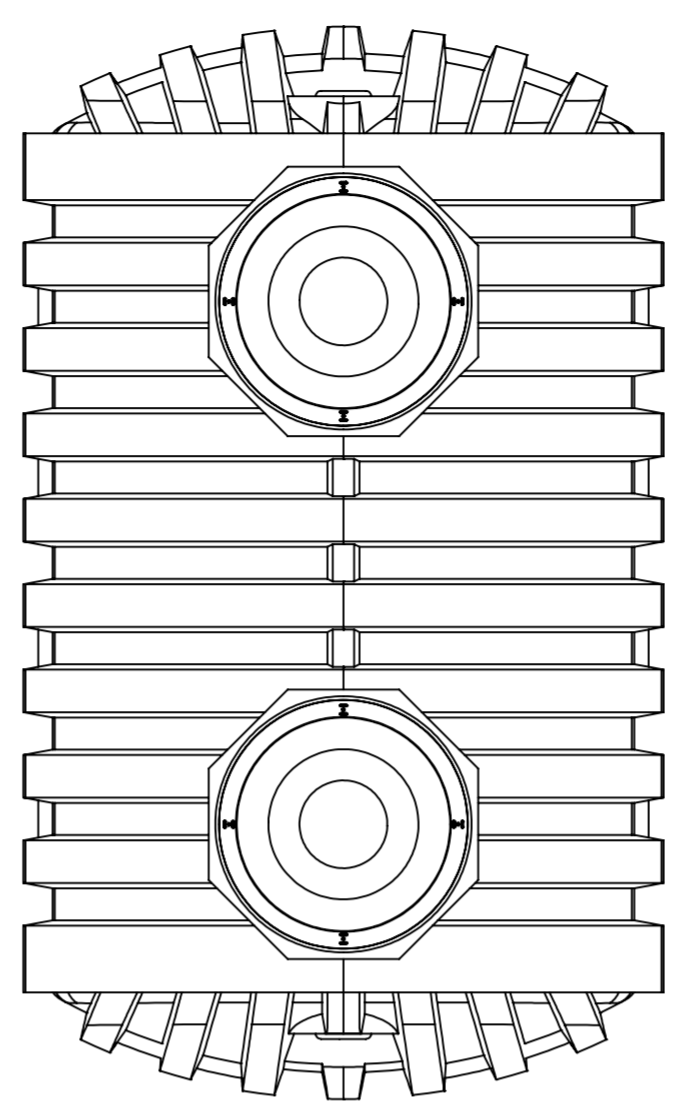
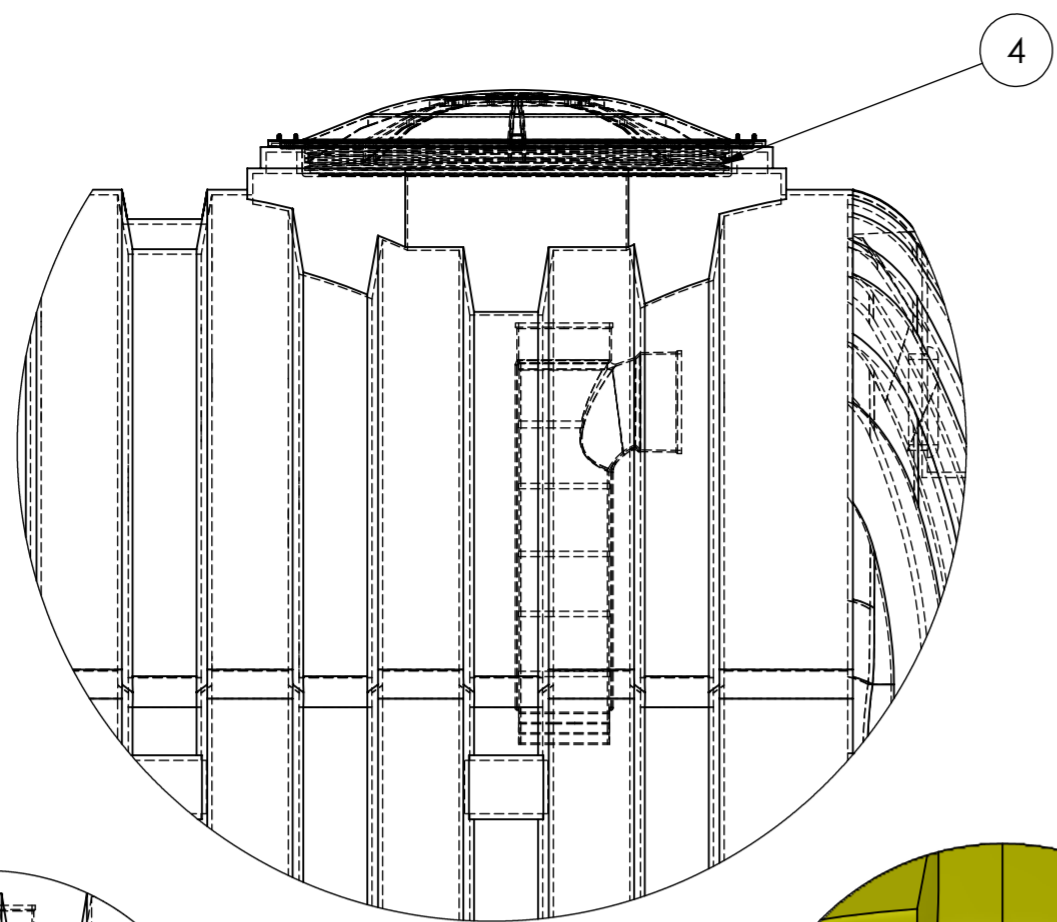


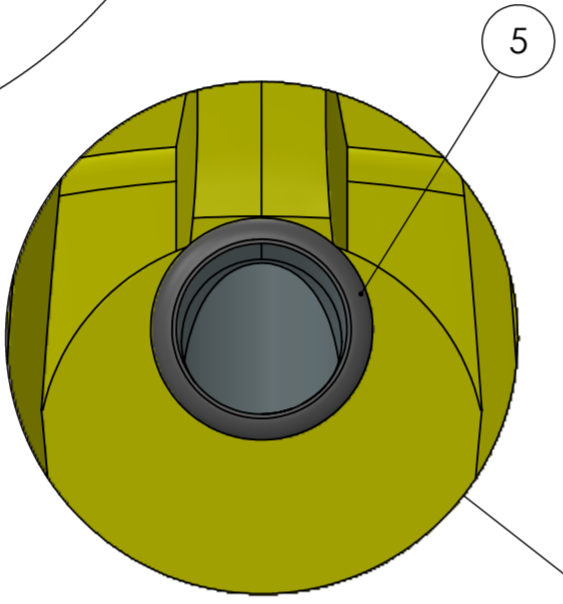
12 11 10 9 8 7 6 5 4 3 2 1

H
G
F
E
D
C
B
A

H
G
F
E
D
C
B
A



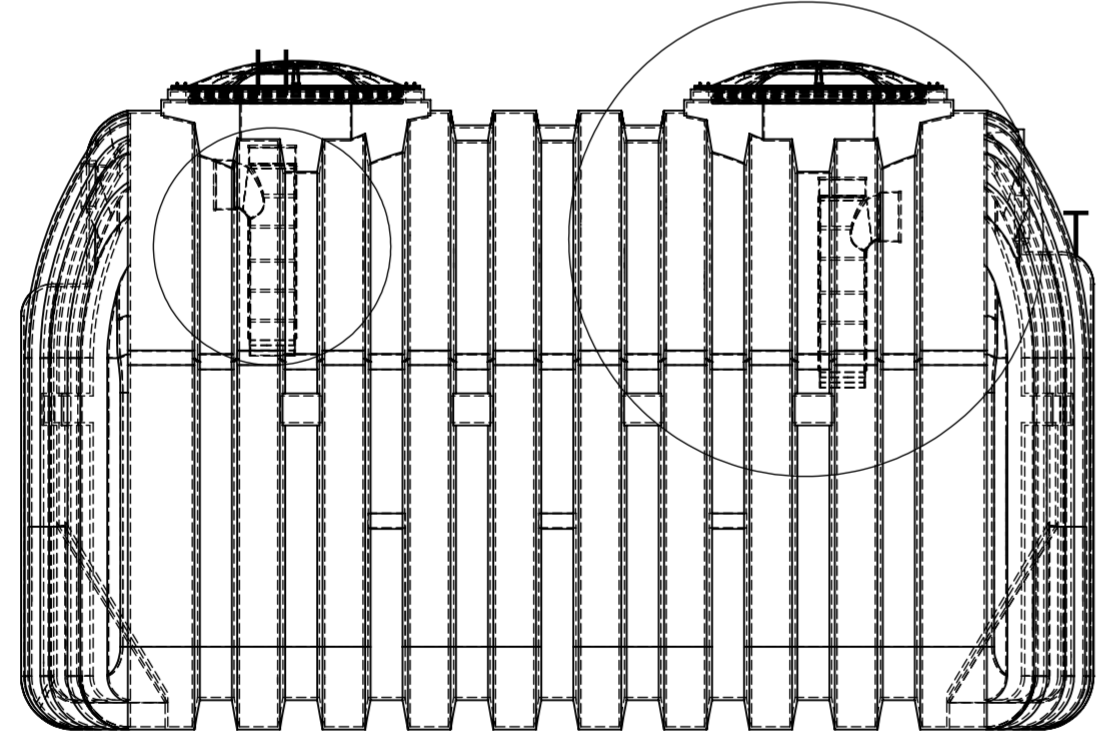
DETAIL T
SCALE 1:9



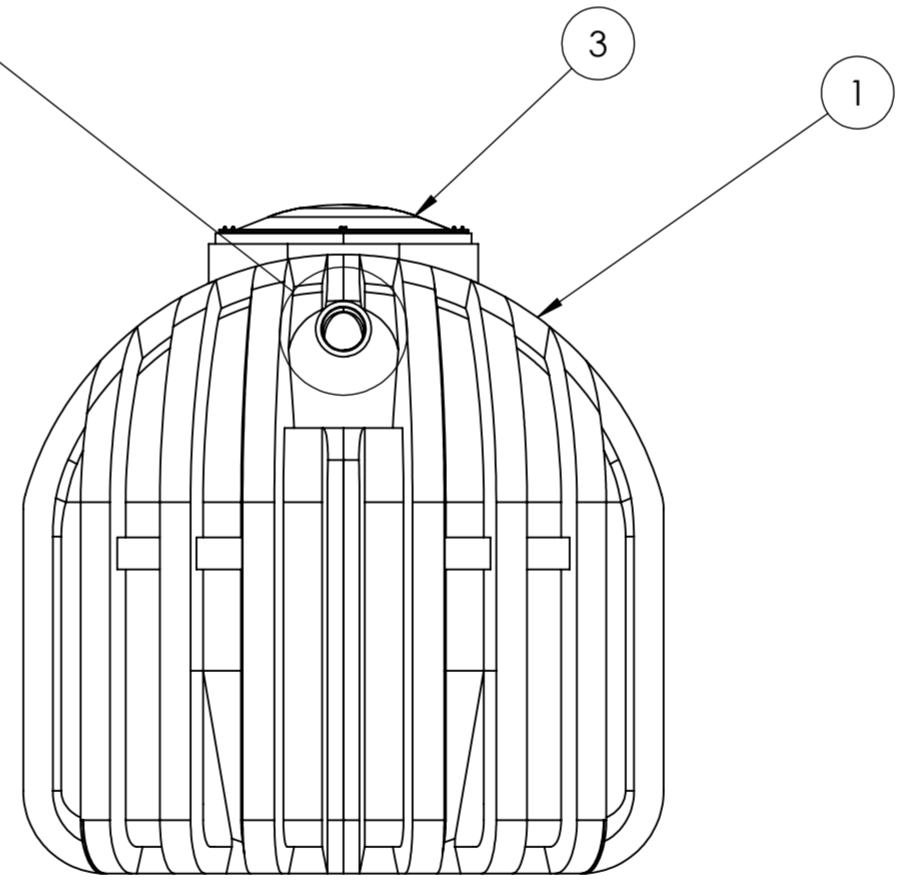
DETAIL R
SCALE 1:4.5

TOP VIEW

DETAIL H
SCALE 1:9



SIDE VIEW



FRONT VIEW

ITEM #	MFGR PART #	DESCRIPTION	QTY
1	87-41718	1000g 1C HDPE Septic Tank	1
2	SPL-BR-004	4 Inch Inlet/Outlet Tee	2
3	85-SPL-001-L	20" Black Domed Lid; SS Screws	2
4	WTL-001-FM	Tank Adapter Ring	2
5	85-SPL-ER-G	4 Inch Gasket	2

Complies with FDA standards 21 CFR 177.1520 (1) 3.1 and 3.2
3 year limited warranty

Municipal and County codes may vary from your state approval.
Please make sure you consult with your local sanitation department
or plumber on requirements.

UV resistant BPA Free HDPE
Empty weight: 311
Shipping Class: 300
Includes 2 4" tees and gaskets



UNLESS OTHERWISE SPECIFIED:
DIMENSIONS ARE IN MILLIMETERS
SURFACE FINISH:
TOLERANCES:
LINEAR:
ANGULAR:

FINISH:

DEBURR AND BREAK SHARP EDGES

DO NOT SCALE DRAWING

REVISION

TITLE:
87-41718 1000 GALLON ONE
COMPARTMENT HDPE SEPTIC
TANK

DWG NO.

SCALE: 1:18

SHEET 1 OF 7

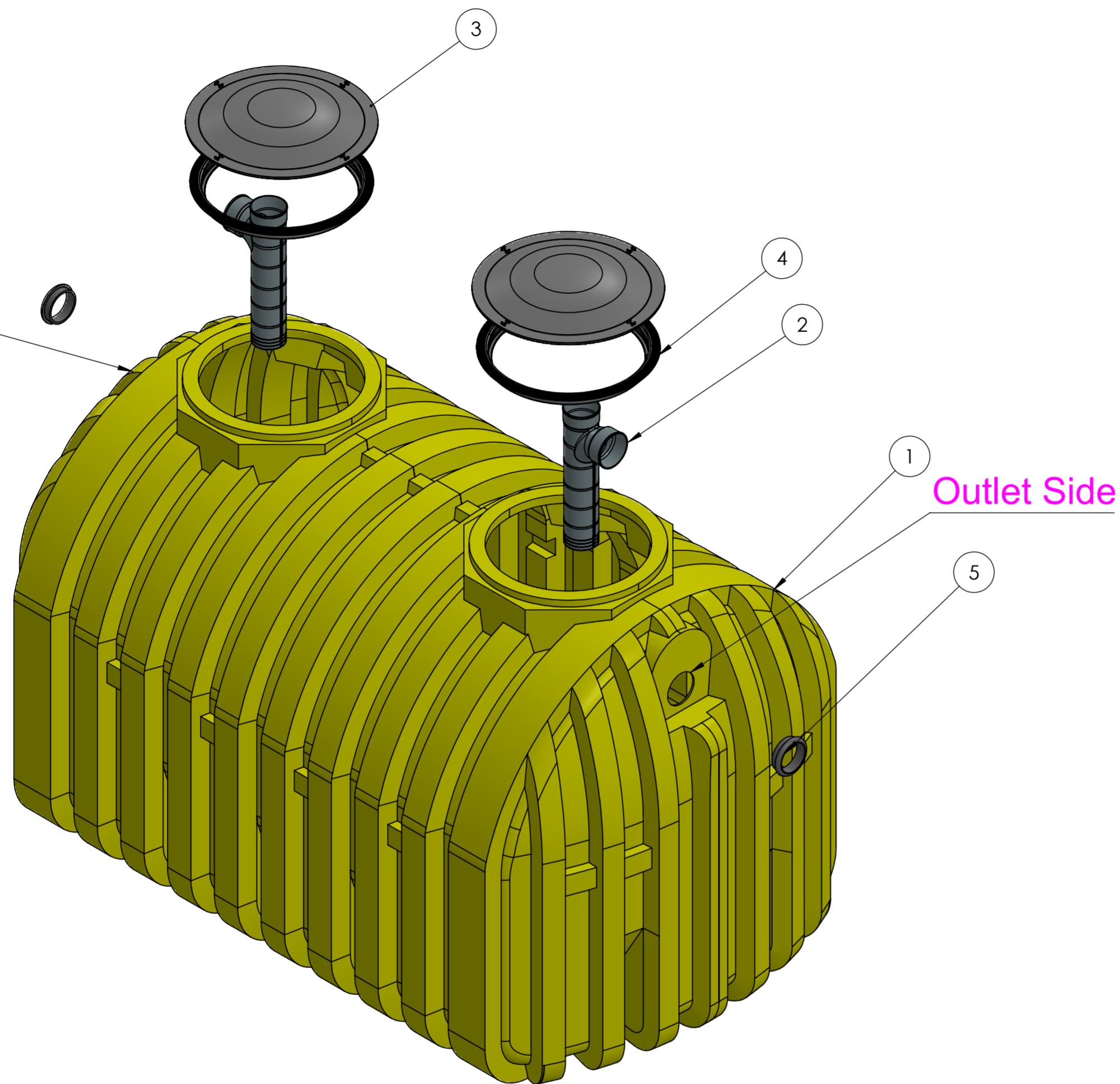
A2

STATE OF NEW YORK
SEAL OF PROFESSIONAL ENGINEER
098232

WEIGHT:

12 11 10 9 8 7 6 5 4 3 2 1

Inlet Side



Outlet Side

Exploded View

ITEM #	MFGR PART #	DESCRIPTION	QTY
1	87-41718	1000g 1C HDPE Septic Tank	1
2	SPL-BR-004	4 Inch Inlet/Outlet Tee	2
3	85-SPL-001-L	20" Black Domed Lid; SS Screws	2
4	WTL-001-FM	Tank Adapter Ring	2
5	85-SPL-ER-G	4 Inch Gasket	2

Complies with FDA standards 21 CFR 177.1520 (1) 3.1 and 3.2
3 year limited warranty

Municipal and County codes may vary from your state approval.
Please make sure you consult with your local sanitation department
or plumber on requirements.

UV resistant BPA Free HDPE
Empty weight: 311
Shipping Class: 300
Includes 2 4" tees and gaskets

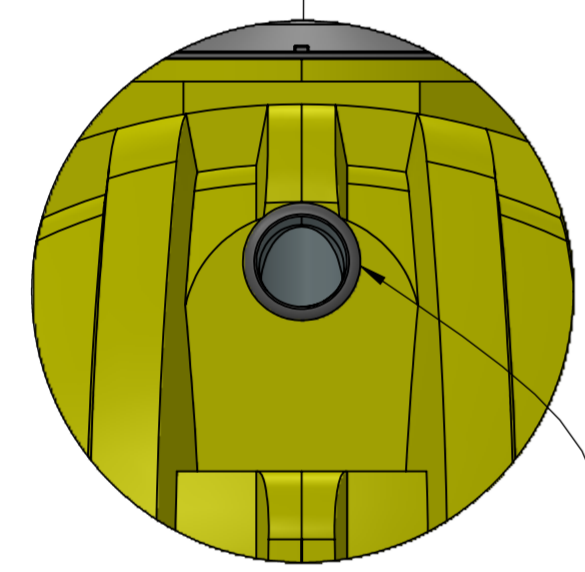
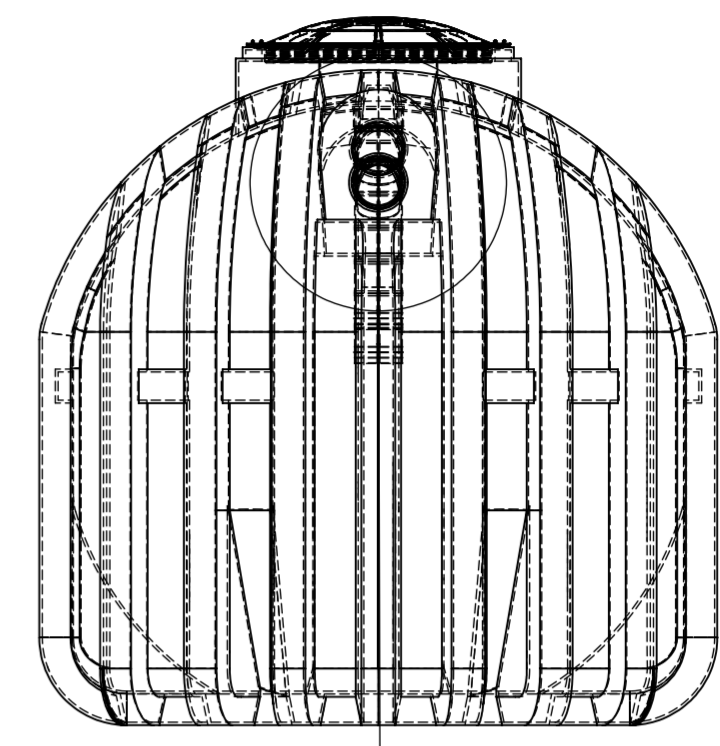
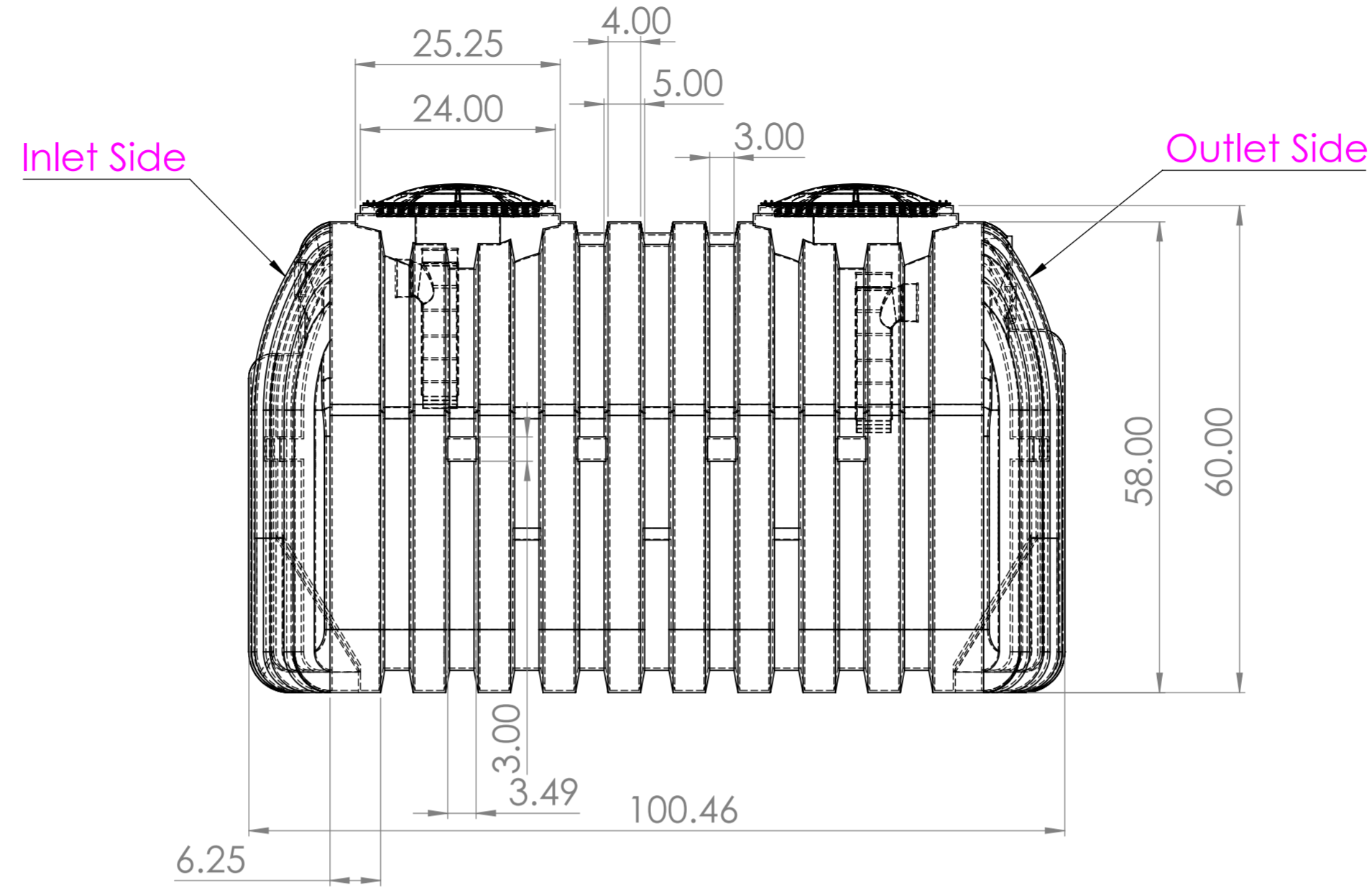
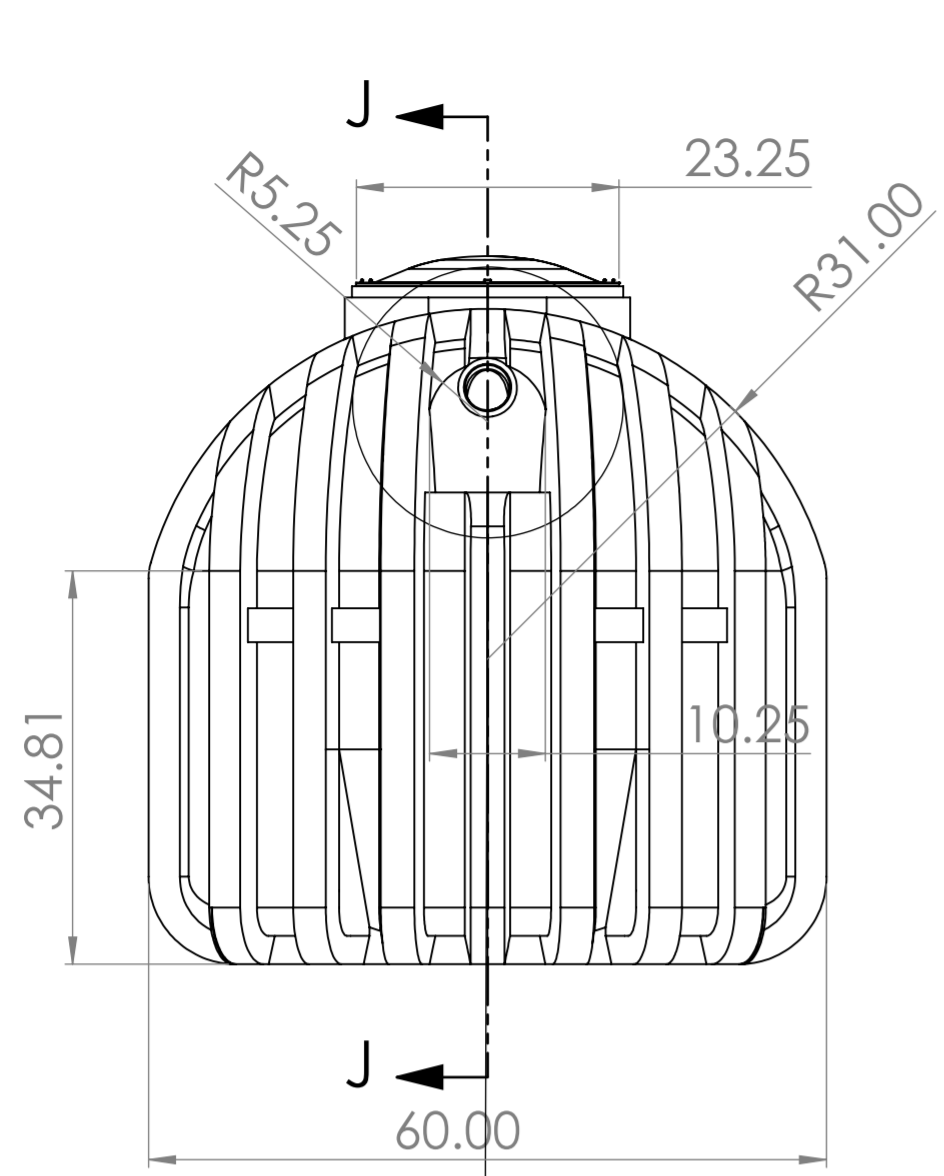


UNLESS OTHERWISE SPECIFIED: DIMENSIONS ARE IN MILLIMETERS		FINISH:		DEBURR AND BREAK SHARP EDGES		DO NOT SCALE DRAWING		REVISION	
SURFACE FINISH:		TOLERANCES:		LINEAR:		ANGULAR:		TITLE: 87-41718 1000 GALLON ONE COMPARTMENT HDPE SEPTIC TANK	
DRAWN	NAME	SIGNATURE	DATE	MATERIAL		DWG NO.		A2	
CHKD				WEIGHT:		SCALE:1:13		SHEET 2 OF 7	
APPVD									
MFG									
Q.A.									



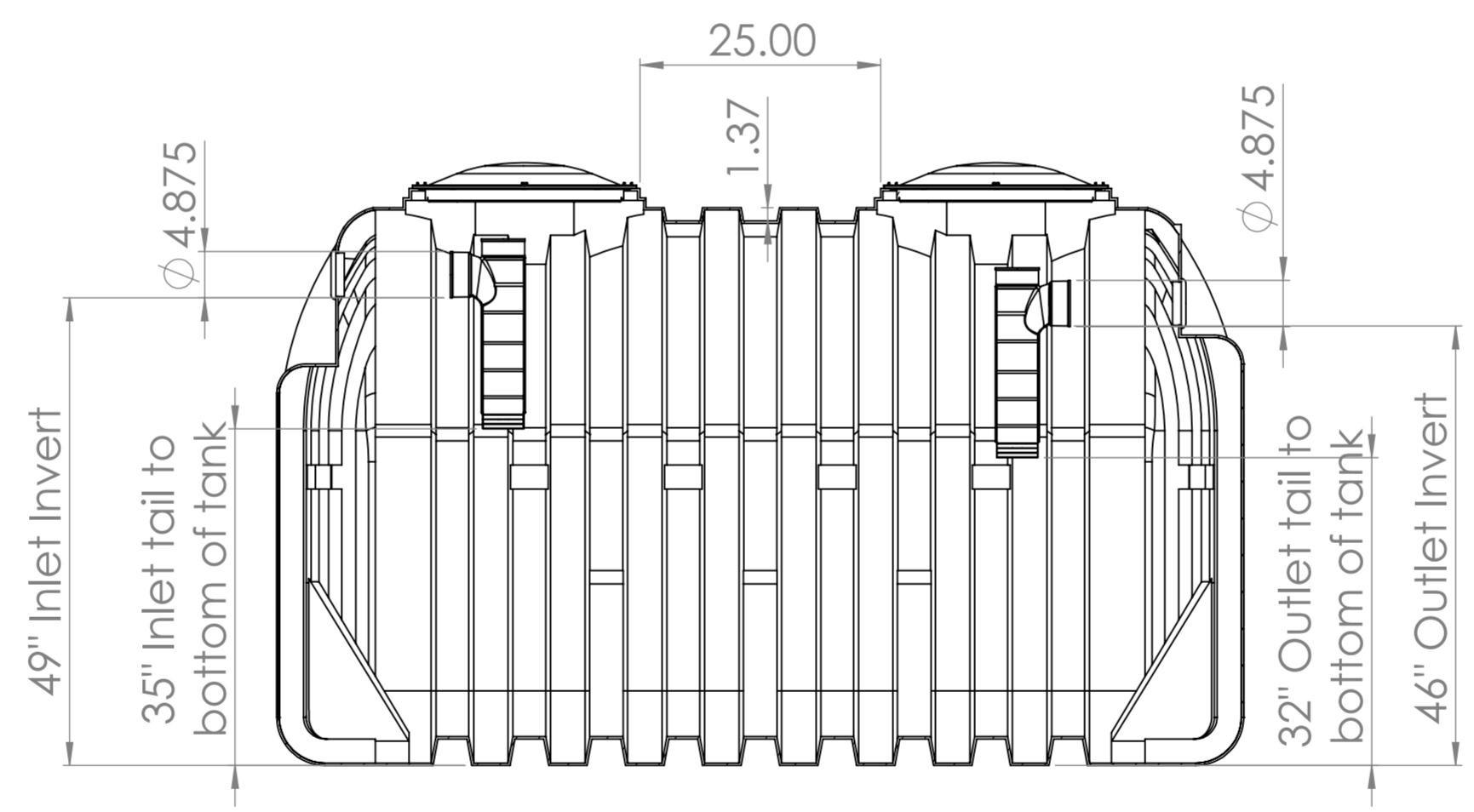
12 11 10 9 8 7 6 5 4 3 2 1

H
G
F
E
D
C
B
A

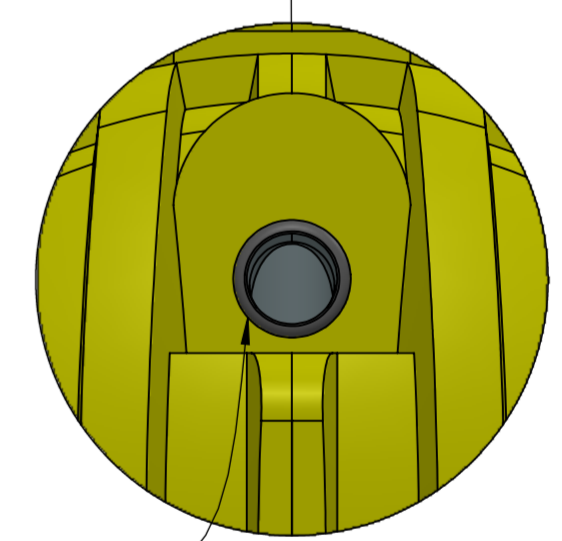


DETAIL W
SCALE 2 : 17

4" Gasket
(Inlet Side)



SECTION J-J
SCALE 1 : 17



DETAIL AA
SCALE 2 : 17

4" Gasket
(Outlet Side)

Complies with FDA standards 21 CFR 177.1520 (1) 3.1 and 3.2
3 year limited warranty

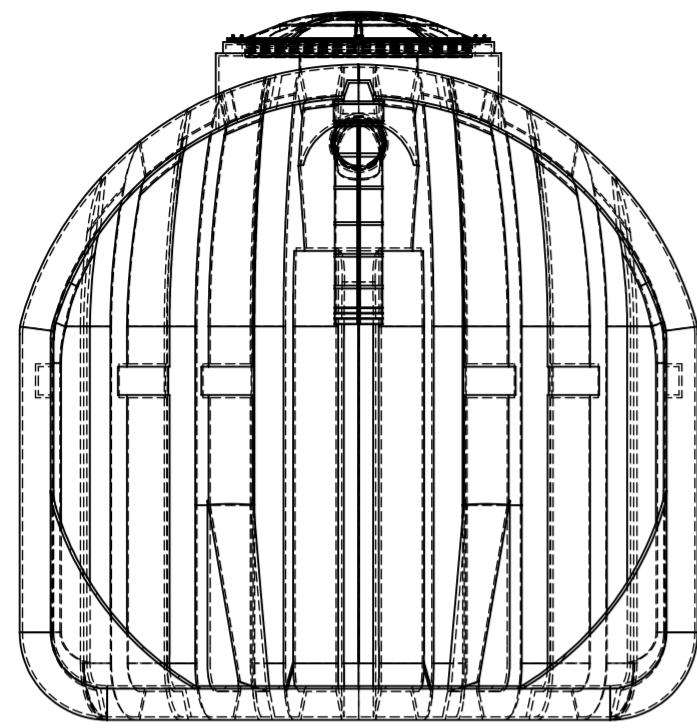
Municipal and County codes may vary from your state approval.
Please make sure you consult with your local sanitation department
or plumber on requirements.

UV resistant BPA Free HDPE
Empty weight: 311
Shipping Class: 300
Includes 2 4" tees and gaskets

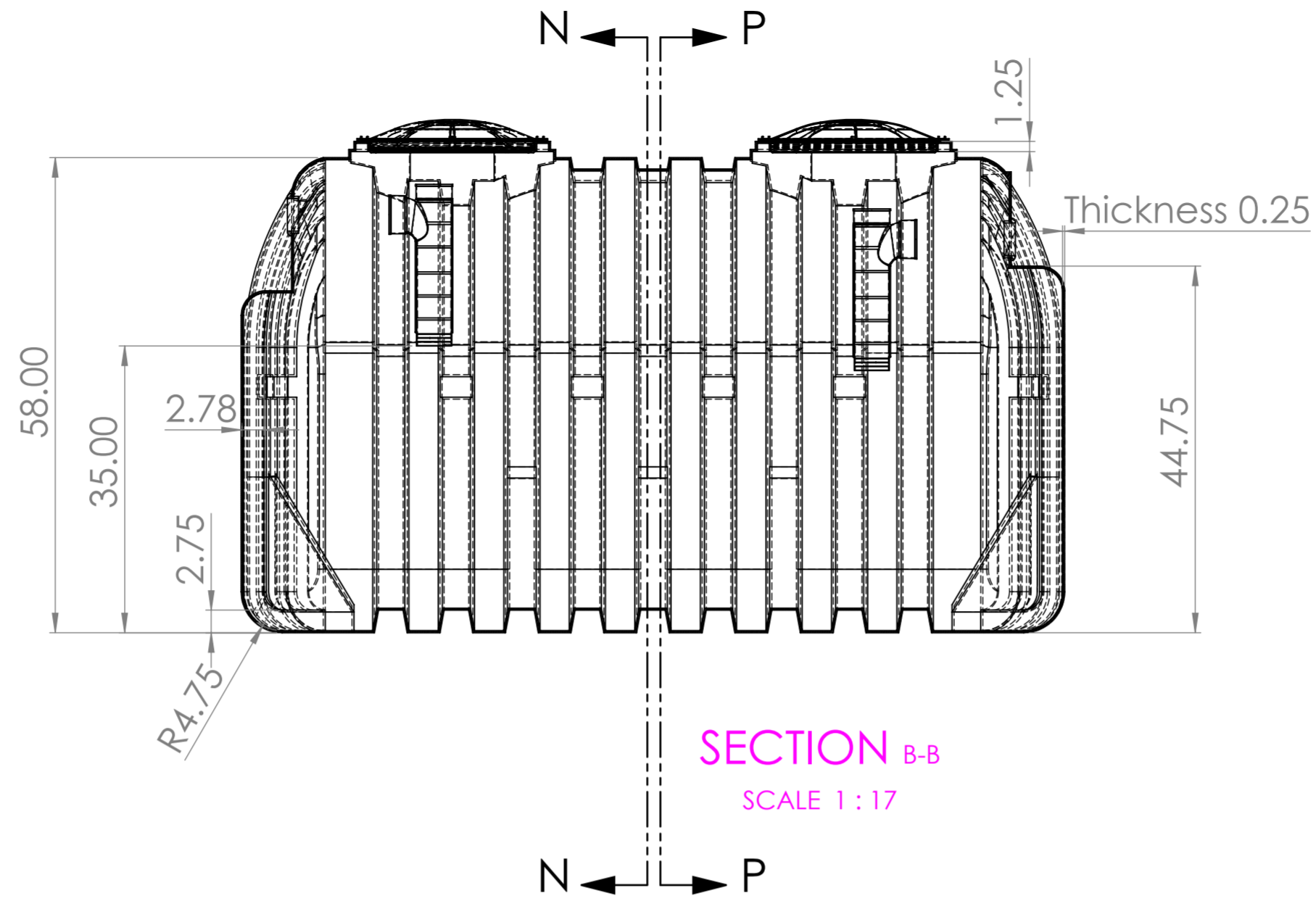


UNLESS OTHERWISE SPECIFIED: DIMENSIONS ARE IN MILLIMETERS			FINISH:			DEBURR AND BREAK SHARP EDGES			DO NOT SCALE DRAWING		REVISION	
SURFACE FINISH:												
TOLERANCES:												
LINEAR:												
ANGULAR:												
DRAWN			NAME			SIGNATURE			DATE			
CHKD												
APPVD												
MFG												
Q.A.												
WEIGHT:									TITLE:		87-41718 1000 GALLON ONE COMPARTMENT HDPE SEPTIC TANK	
									DWG. NO.:		A2	
									SCALE: 1:18		SHEET 3 OF 7	

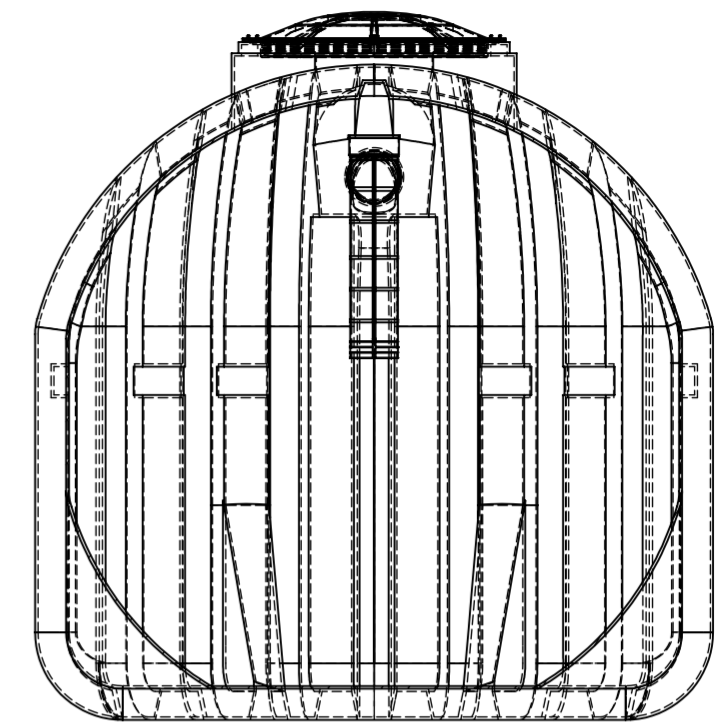
12 11 10 9 8 7 6 5 4 3 2 1



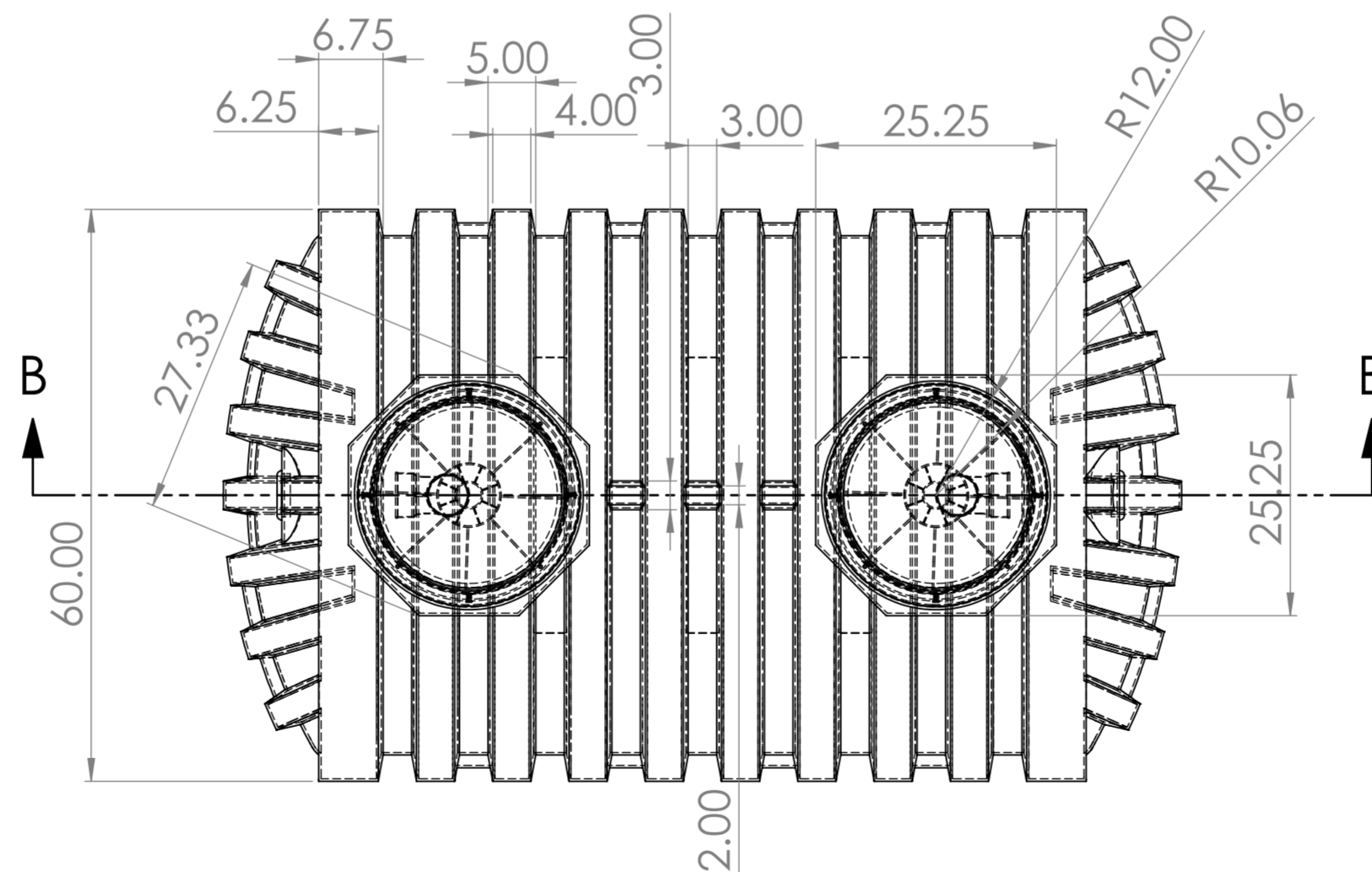
SECTION N-N
SCALE 1:17
Inlet side



SECTION B-B
SCALE 1:17



SECTION P-P
SCALE 1:17
Outlet side



Complies with FDA standards 21 CFR 177.1520 (1) 3.1 and 3.2
3 year limited warranty

Municipal and County codes may vary from your state approval.
Please make sure you consult with your local sanitation department
or plumber on requirements.

UV resistant BPA Free HDPE
Empty weight: 311
Shipping Class: 300
Includes 2 4" tees and gaskets



UNLESS OTHERWISE SPECIFIED: DIMENSIONS ARE IN MILLIMETERS			FINISH:			DEBURR AND BREAK SHARP EDGES			DO NOT SCALE DRAWING		REVISION
TOLERANCES: LINEAR: ANGULAR:									TITLE: 87-41718 1000 GALLON ONE COMPARTMENT HDPE SEPTIC TANK		
DRAWN	NAME	SIGNATURE	DATE						DWG NO.		A2
CHKD											
APPVD											
MFG											
Q.A.											
WEIGHT:			SCALE: 1:18			SHEET 4 OF 7					

