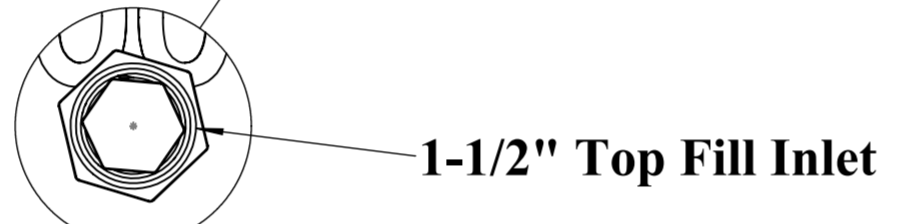


**SIDE VIEW**

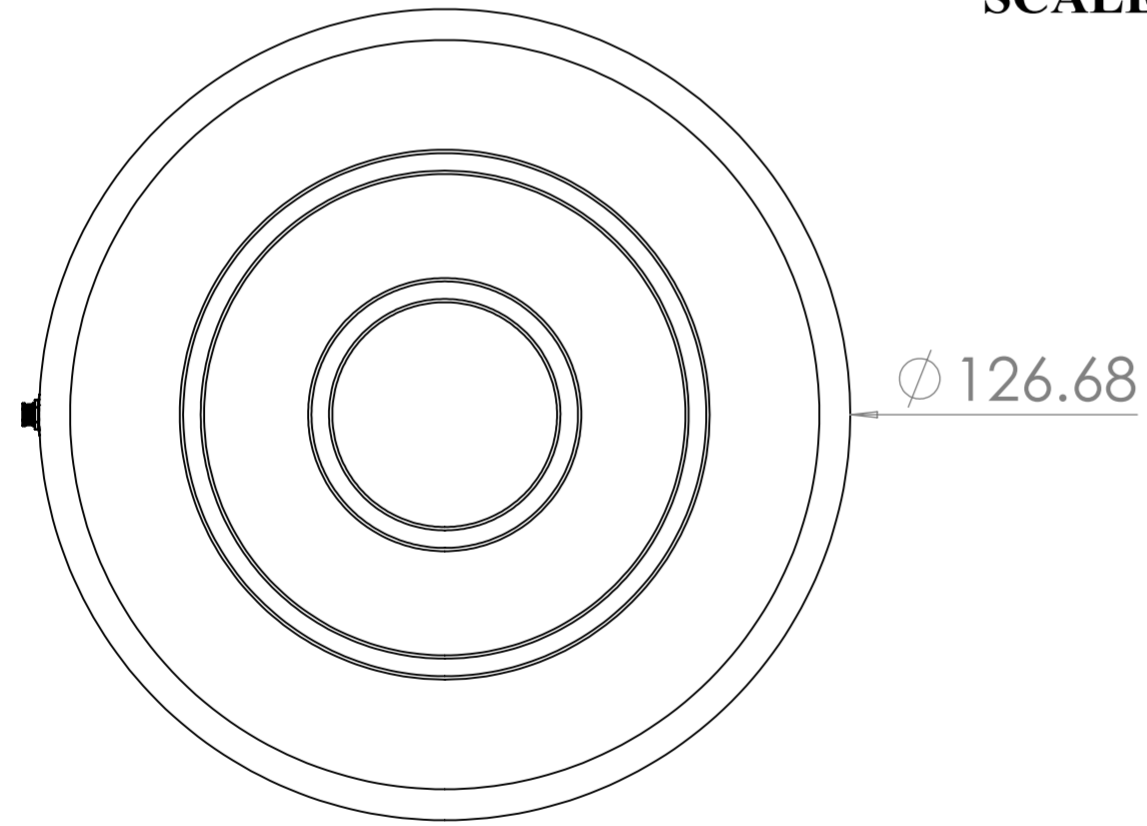
**FRONT VIEW**



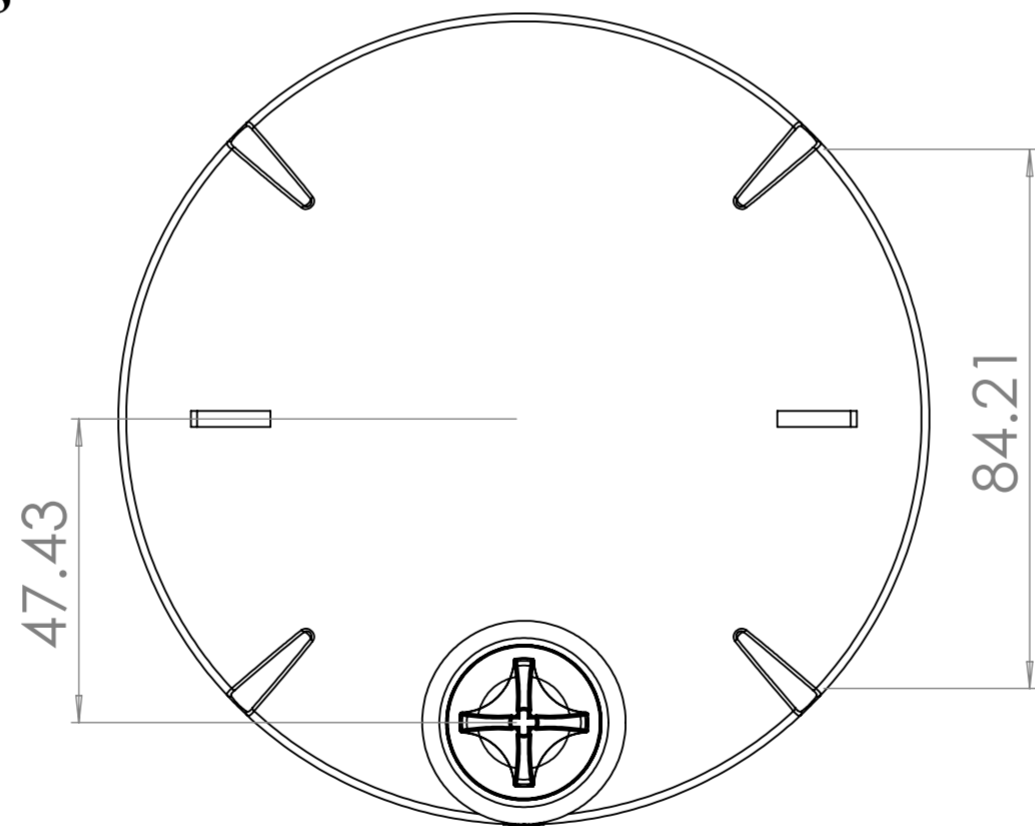
**DETAIL V**  
SCALE 1 : 5



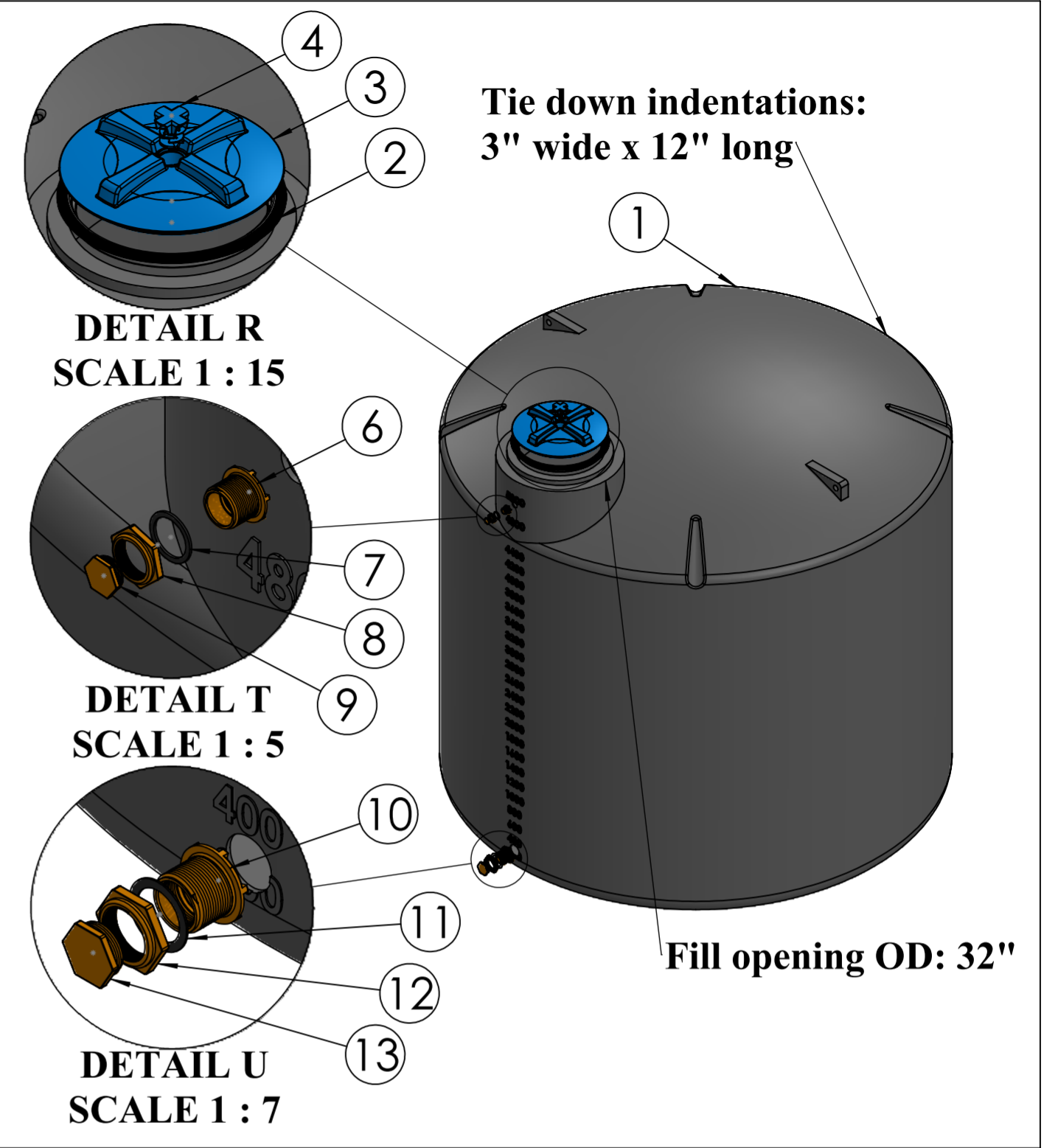
**DETAIL Y**  
SCALE 1 : 3



**BOTTOM VIEW**



**TOP VIEW**

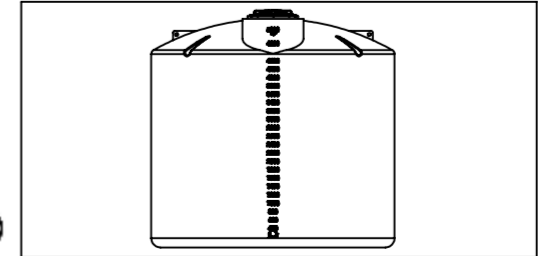


Item #	VPC Part Number	Description
1	85-40244/42043/45355	5000 Black/Green/White
2		20" Lid Gasket
3	89-WTL-001-M	20" Screw On Lid
4		20" Lid Vent Insert
5	89-WTLTETH	Tether for Tank Lid
6	89-WTF150F	1.5" Threaded Bulkhead Fitting
7	89-WTF150G	1.5" Bulkhead Gasket
8	89-WTF150M	1.5" Bulkhead Threaded Nut
9	89-WTF150P	1.5" Bulkhead Plug
10	89-WTF200F	3" Threaded Bulkhead Fitting
11	89-WTF200G	3" Bulkhead Gasket
12	89-WTF200M	3" Bulkhead Threaded Nut
13	89-WTF200P	3" Bulkhead Plug

Title: Water Tank 5000 gallon - assembly technical drawing

Page Size: A2 Scale: 1 : 30

**Valencia Pipe Company**  
28305 Livingston Ave.  
Valencia, CA 91355



Date: 5/31/2025 Units: IPS

Made with UV Resistant BPA Free Resin

Tank weight: 643 lb

Shipping Class: 300

Complies with FDA standards  
21 CFR 177.1520 (1) 3.1 and 3.2.  
3 year ltd warranty